

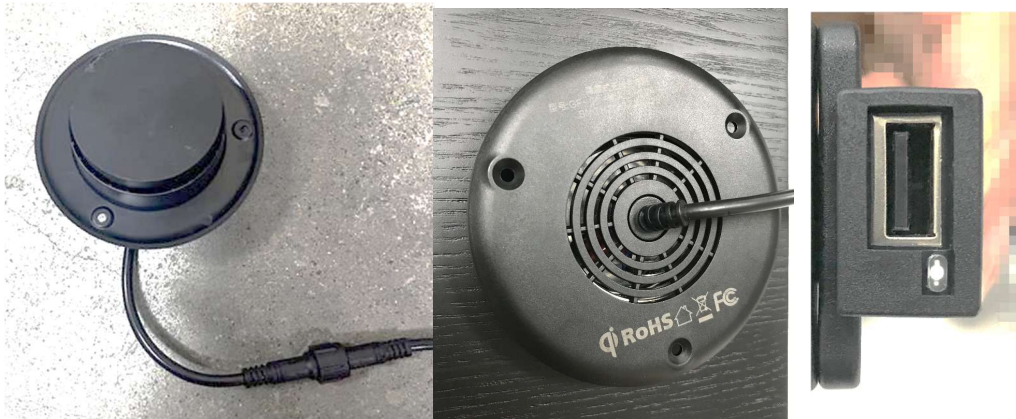
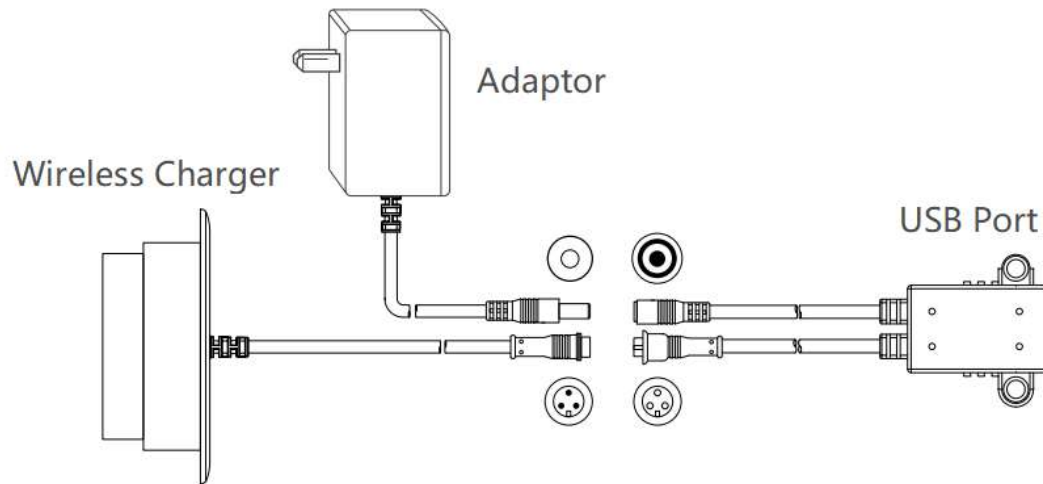


USB & WIRELESS CHARGER  
TROUBLESHOOTING GUIDE

Version 2.0

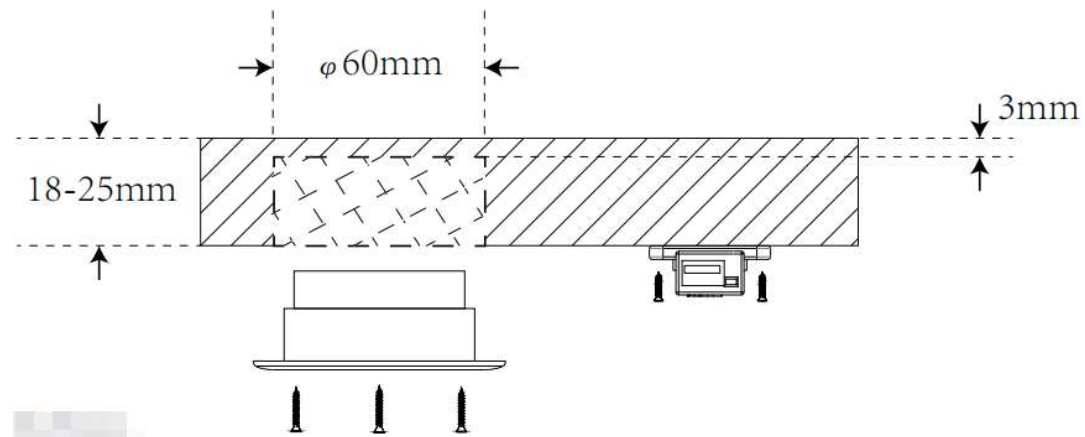
Trouble shooting guide to USB & Wireless Charger installed  
on Upholstery Units.

## Parts that make up our USB & wireless charging system-



- 1. Wireless charger-**The wireless charger is installed beneath 1~3mm thick wood panel with diameter 60mm hole.
- 2. USB Port-** The USB Port should be connected to the cables of wireless charger and the adaptor. The USB port is assembled beneath the wood panel or embedded in the wood panel.
- 3. Power supply-**The power supply is an adapter plugged into wall or outlet.

## Installation instructions



1. The wireless charger is suitable for wood panel thickness within 18-25mm.
2. Drill 60mm blind hole beneath the wood panel and keep 1~3mm thick on the top of it.
3. Embed the wireless charger in the blind hole and assemble with screws.
4. Assemble USB under the panel
5. Connect all wiring ports of the product and connect the adapter to AC 220V/110V.



## Steps to Check

### A. Check all connections.

#1 power supply is plugged into wall or outlet

#2 insert the USB cable to the USB device and a phone.



### B. Make sure your phone is compatible with wireless charging pad

Apple: iPhone 8 to iPhone 14 series

Samsung: S7 to S22 series, Fold 4, Flip 4

Google: Pixel 4 to above

Sony: Xperia XZ2 to above

Huawei: Mate 20 to above series

LG: G3 to above series

### C. Place your phone in the center of the charging surface.



### How to use the wireless charger



Connect micro power adapter to electrical outlet and check if the USB port can work smoothly.



Place the phone with wireless charging enabled on the center of the charging pad.

\*Not all phone cases allow for wireless charging.

### D. Check indicator light condition (applies to the wireless charger):

Item		
1	Indicate Light	Blue LED
2	Power On	Light on for 5 seconds and then off
3	Standby	Light Off
4	Wireless Charging	Light Constant On
5	Charging Completed	Light Off

6	Abnormal State	Light Blinking Constantly
7	Foreign Object Detection	Light blinking constantly, see if there is any metal substance between phone and furniture top and furniture top

- If indicator light is on when there is no phone on wireless charger, you may need to replace the wireless charger.
- If indicator light is blinking constantly when the phone is wireless charging, see if there is any metal substance between phone and furniture top, or move the phone around to see if it's right over the wireless, or take the phone away and wait about half minute, then put it back.
- check USB individually by plugging in USB cable

