

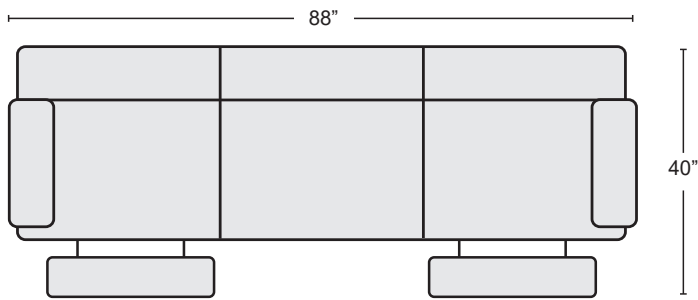
*LAST UPDATED 04/27/22

First Name: _____ Last Name: _____

Customer Signature: _____ Date: _____

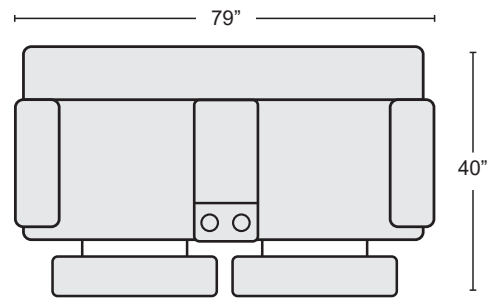
Sales Person Name: _____

Sale Order Number: _____



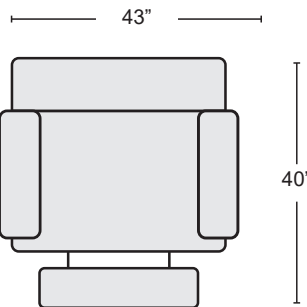
CHESTNUT ZERO GRAVITY POWER RECLINING SOFA
W/POWER HEADREST & L
#261008 \$1,895.00 QTY___

NAVY ZERO GRAVITY POWER RECLINING SOFA W/
POWER HEADREST & LUMBA
#261009 \$1,895.00 QTY___



CHESTNUT ZERO GRAVITY POWER RECLINING
CONSOLE LOVESEAT W/PWR HE
#261006 \$1,895.00 QTY___

NAVY ZERO GRAVITY POWER RECLINING CONSOLE
LOVESEAT W/PWR HEADRE
#261007 \$1,895.00 QTY___



CHESTNUT ZERO GRAVITY POWER RE-
CLINER WITH POWER HEADREST & LUMB
#261004 \$1,095.00 QTY___

NAVY ZERO GRAVITY POWER RECLINER WITH
POWER HEADREST & LUMBAR
#261005 \$1,095.00 QTY___