

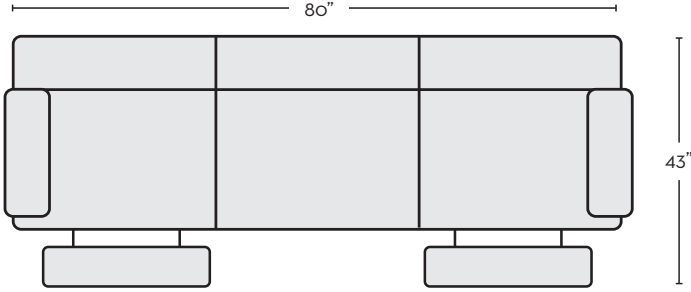
\*LAST UPDATED 02/08/24

First Name: \_\_\_\_\_ Last Name: \_\_\_\_\_

Customer Signature: \_\_\_\_\_ Date: \_\_\_\_\_

Sales Person Name: \_\_\_\_\_

Sale Order Number: \_\_\_\_\_

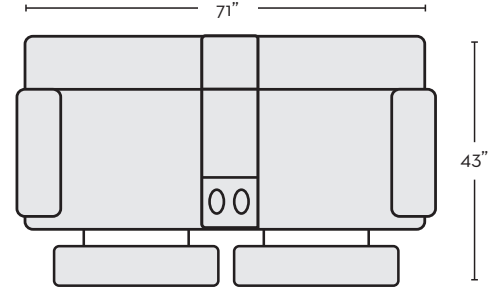


MANUAL RECLINING SOFA  
\$595.00

BUFF- #323955   
GREY- #323954

POWER RECLINING SOFA WITH POWER HEADREST & USB  
\$795.00

BUFF- #323957   
GREY- #323956

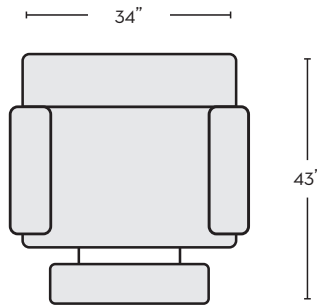


MANUAL RECLINING STORAGE CONSOLE LOVESEAT  
\$595.00

BUFF- #323951   
GREY- #323950

POWER RECLINING STORAGE CONSOLE LOVESEAT W/POWER HEADREST & USB  
\$795.00

BUFF- #323953   
GREY- #323952



MANUAL RECLINER  
\$295.00

BUFF- #323949   
GREY- #323948

POWER WALLAWAY RECLINER W/POWER HEADREST & USB  
\$450.00

BUFF- #264440   
GREY- #264439   
BLUE- #264441