



**LIVING SPACES**

**POWER RECLINER  
USER MANUAL**

**TROUBLESHOOTING GUIDE**

# Components:

- **Power cord-** The power cord is used to connect the AC inlet or transformer to the outlet.
- **AC inlet-** connects the transformer to the power code. The power switch is the switch that is on the unit that allows you to recline up and down electronically.
- **Transformer-** The transformer is a device that converts AC power into DC power and at the same time changes high voltage to low voltage. The output power after the transformer is suitable for driving USB or motor.
- **Y-cable (Secondary cable)-** A Y cable is a splitter/extension cord connecting the transformer to the motors or USB port.
- **USB/Type C Port-** The Port should be connected to the cables of charger and the adaptor. The USB/Type C ports are assembled in front of armrests and are visible when the armrests are opened.
- **Motor-** The motors are power units used to push the mechanism back and forth to recline the unit. There is also a headrest motor for corresponding recliner controlling the pull and down of headrest.
- **Hand Set/Switch (Pusher Drive) -** To drive the movement on mechanism/headrest via power switch control. With USB charging function.
- **Wireless charger-** Place the phone with wireless charging enabled on the center of the charging pad to get charged. \*Suitable for all phones with wireless charging function.

If the recliner, loveseat, or sofa is not reclining, (90% of the time the power switch needs to be replaced), below are the possible issues that will cause recliner, loveseat or sofa to stop reclining.

1. Bad connection or wires not plugged in
2. Power switch is defective
3. Bad outlet
4. Transformer (if both sides of loveseat or sofa are not reclining)
5. Power cord
6. Y cable
7. Motor

# Make Sure Your Phone is Compatible With Wireless Charging Pad

## Mainstream Brand Allow For Wireless Charging Phone List

- Apple: iPhone 8 to iPhone 14 series
- Samsung: S7 to S22 series, Fold 4, Flip 4
- Google: Pixel 4 to above
- Sony: Xperia XZ2 to above
- Huawei: Mate 20 to above series
- Honor: V30 Pro to above
- LG: G3 to above series

\*Other phones which allow wireless charging also adapt to the wireless charging function on the product.

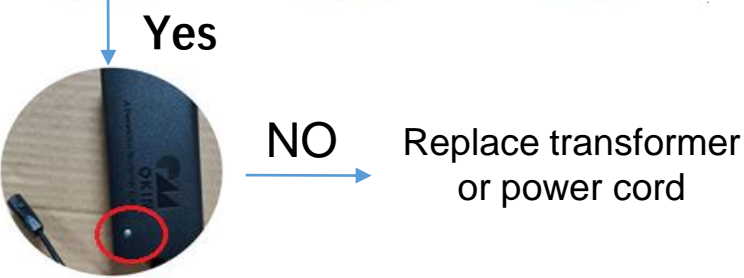
# Power Recliner Trouble Shooting:

## 1. The recliner doesn't work:

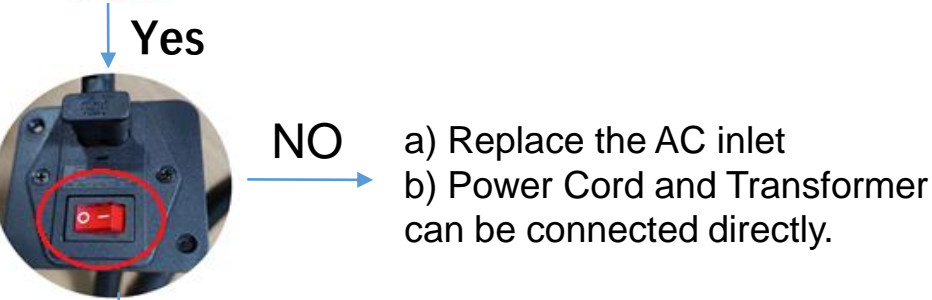
Step 1: Ensure that all interfaces are properly connected and the surface of each component is intact.



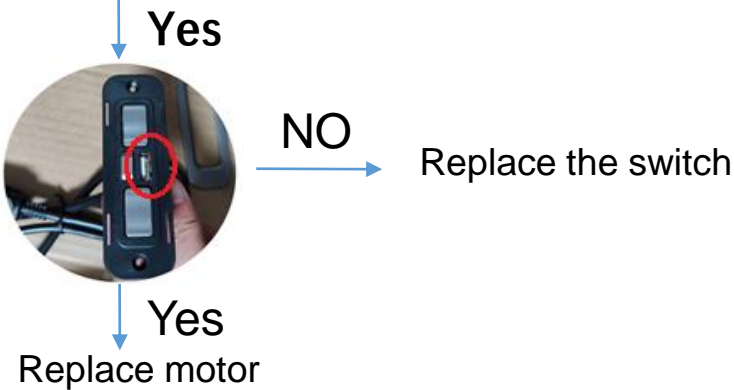
Step 2: Check whether the transformer light is on?



Step 3 : Make sure the AC inlet is on. Is the light on?



Step 4 : Check if USB can charge your electronic device?



# Power Recliner Trouble Shooting:

## 2. Switch USB does not charge properly :



1) Recliner working normally,  
2) but the USB cannot charge electronic device



Replace this square box on the switch cable

Recliner doesn't work

- 1) Replace the motor;
- 2) Replace the switch.

# Power Recliner Trouble Shooting:

## 3. TYP-C、 USB does not charge properly :



Follow step 1 to check whether the lines and transformer lights are on.

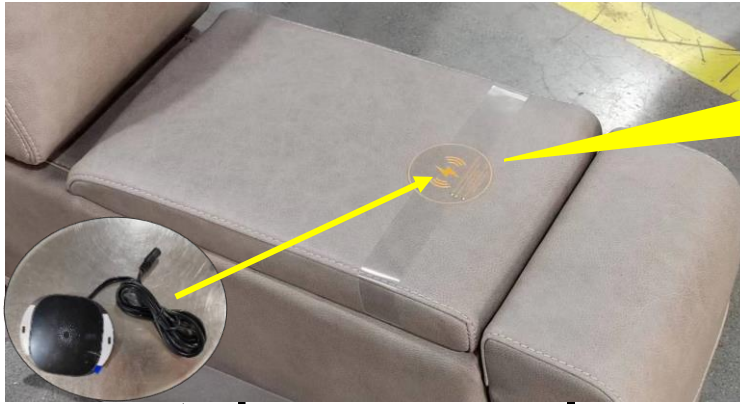
Yes

Replace Type-C\USB parts

No

Replace the transformer or power cord

# Wireless charging Trouble Shooting:



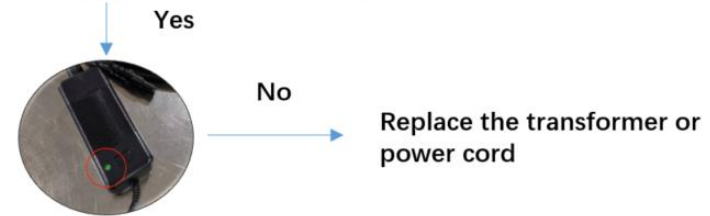
No metal objects on charging pad.

## 4. Wireless charging does not charge properly :

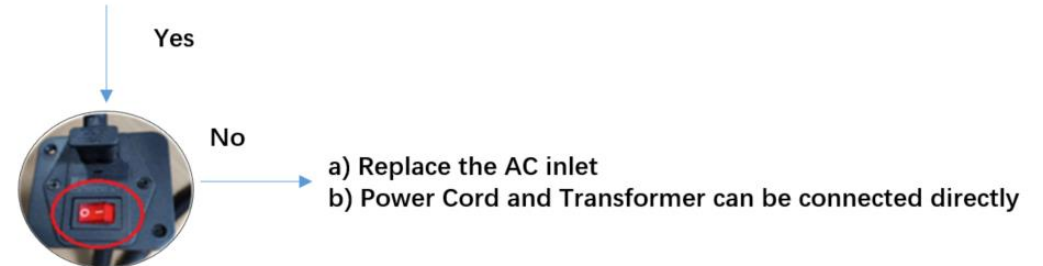
Step 1: Ensure that all interfaces are properly connected and the surface of each component is intact.



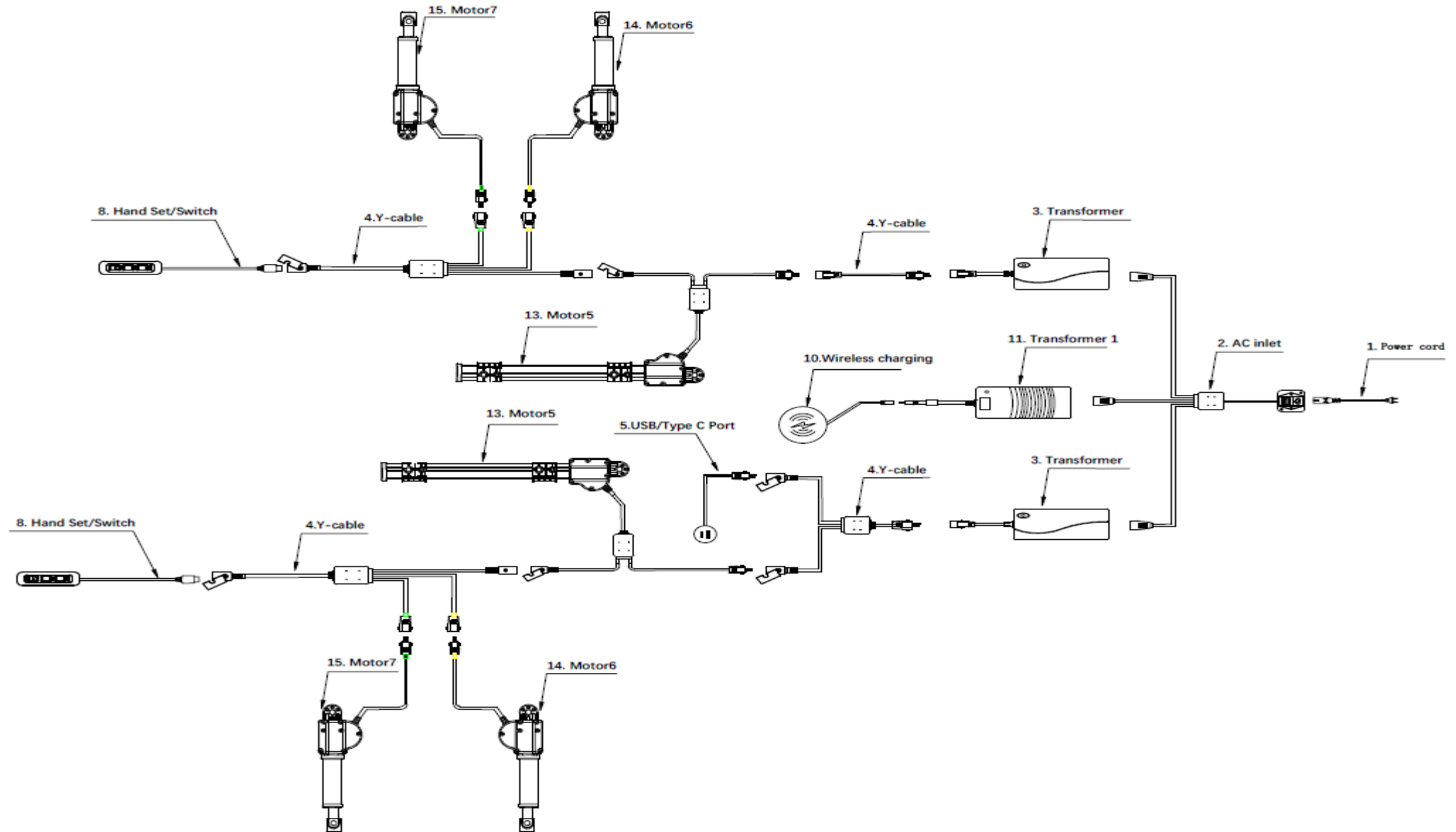
Step 2: Check whether the transformer light is on?



Step 3 : Make sure the AC inlet is on. Is the light on?

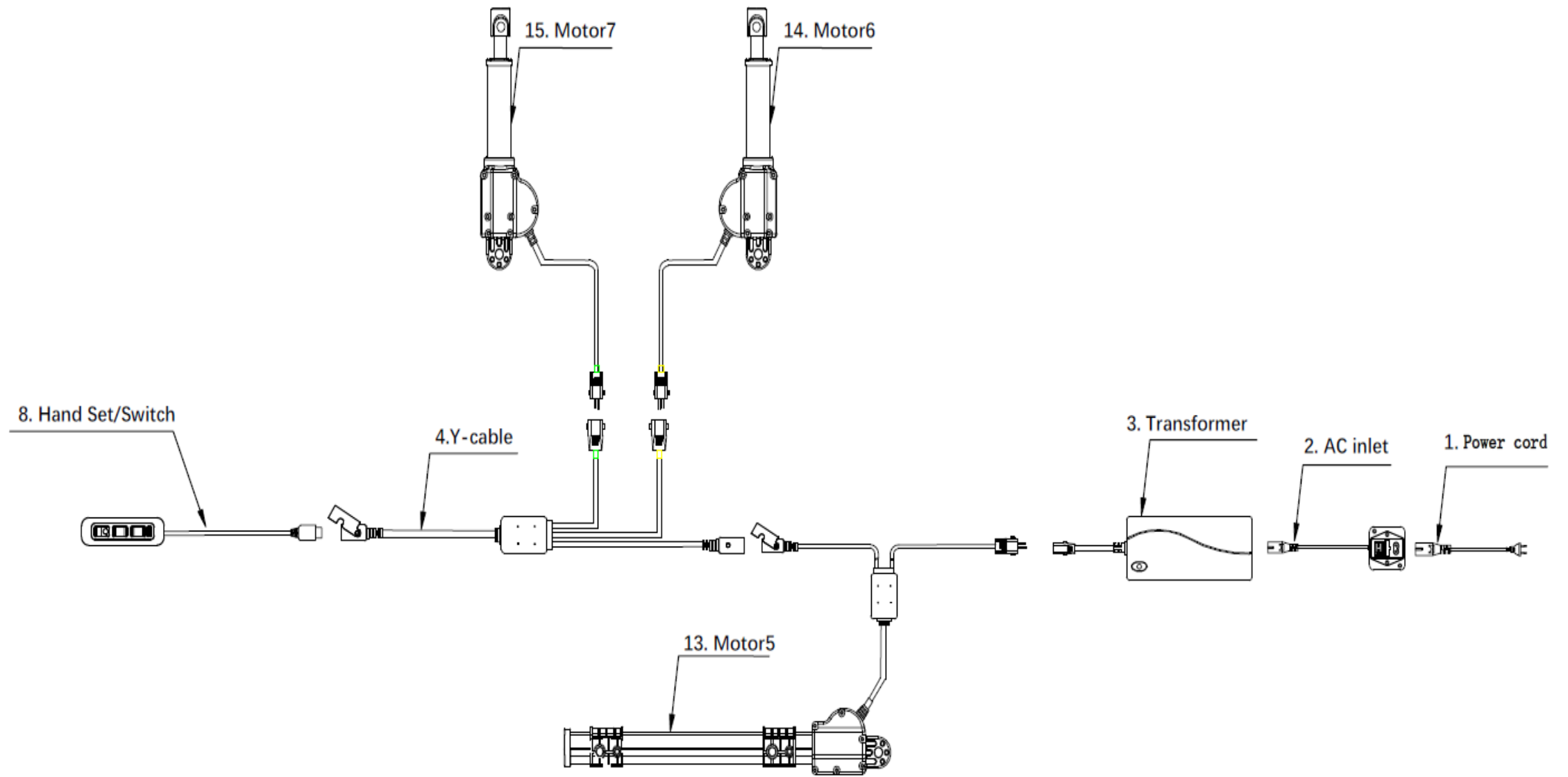


# THORNTON M447 POWER CONSOLE LOVESEAT PARTS

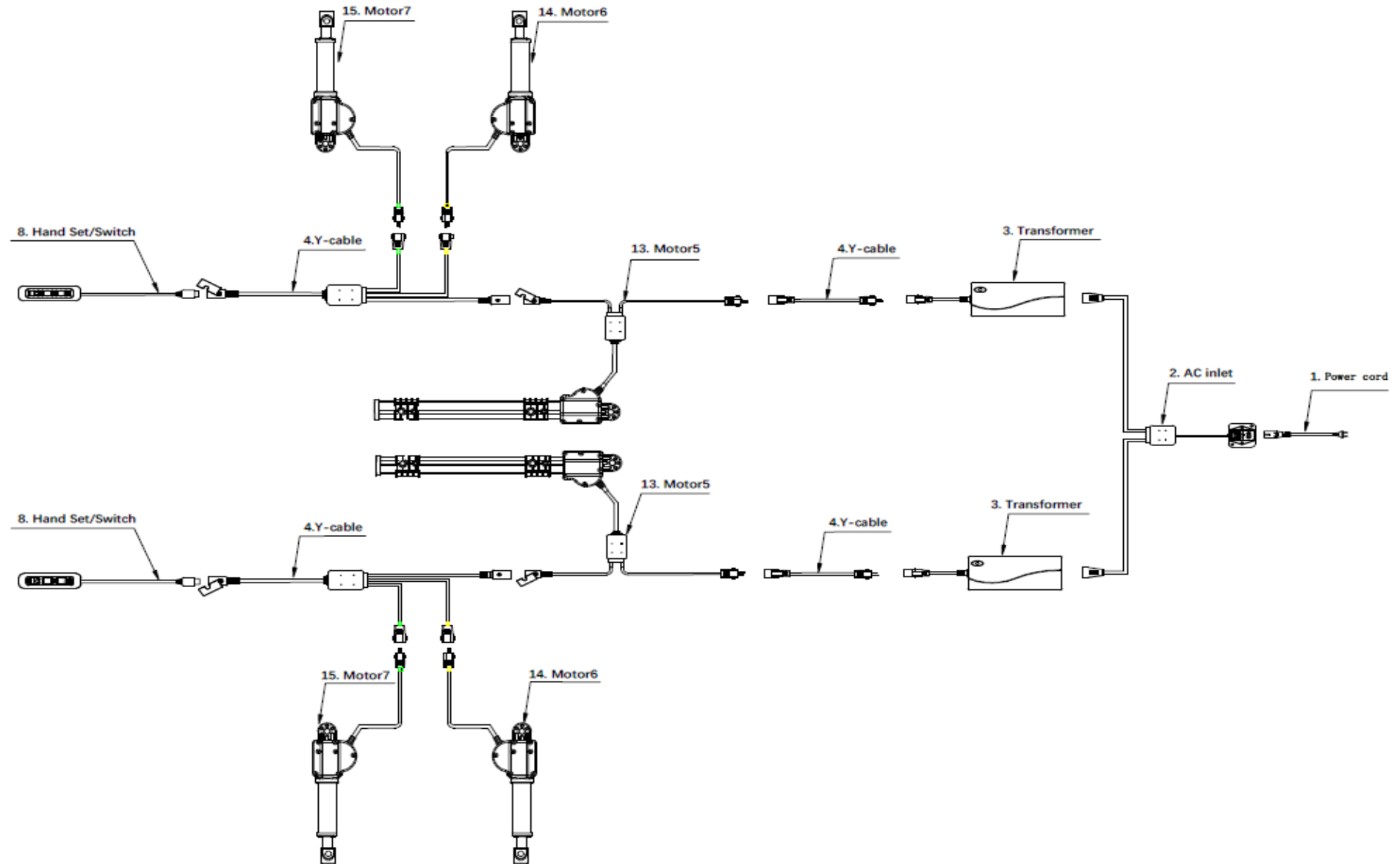




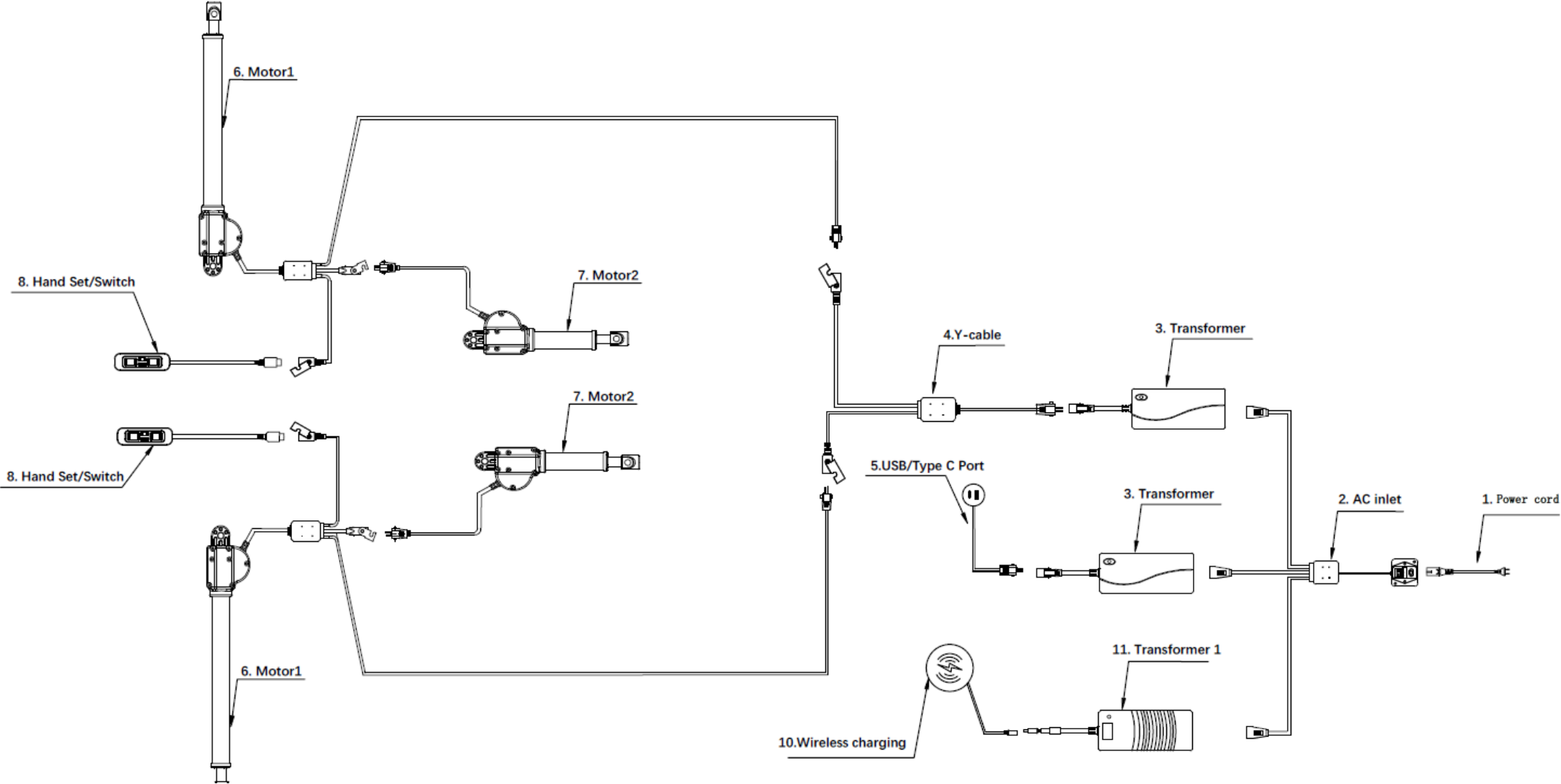
# THORNTON M447 POWER RECLINER PARTS



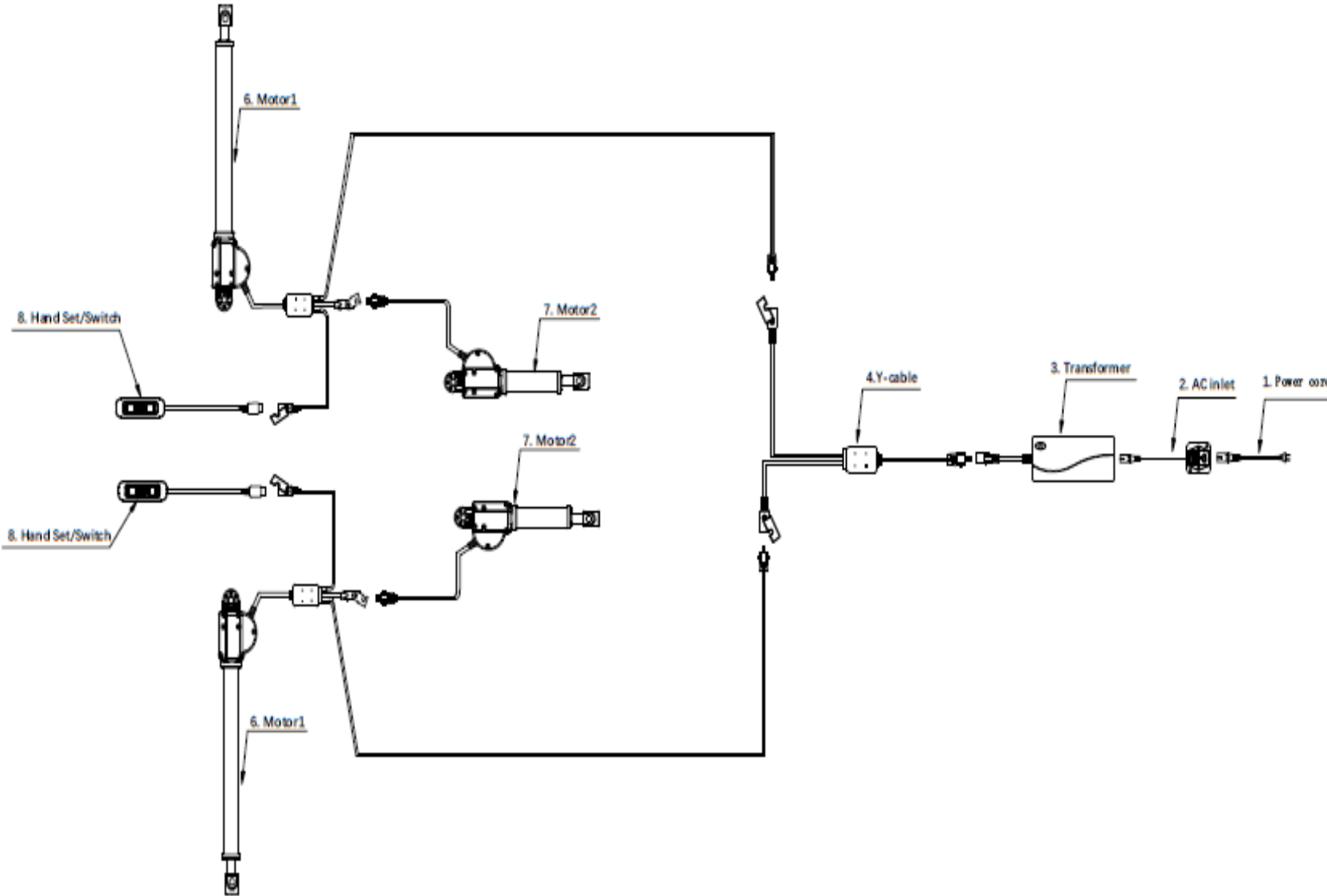
# THORNTON M447 POWER SOFA PARTS



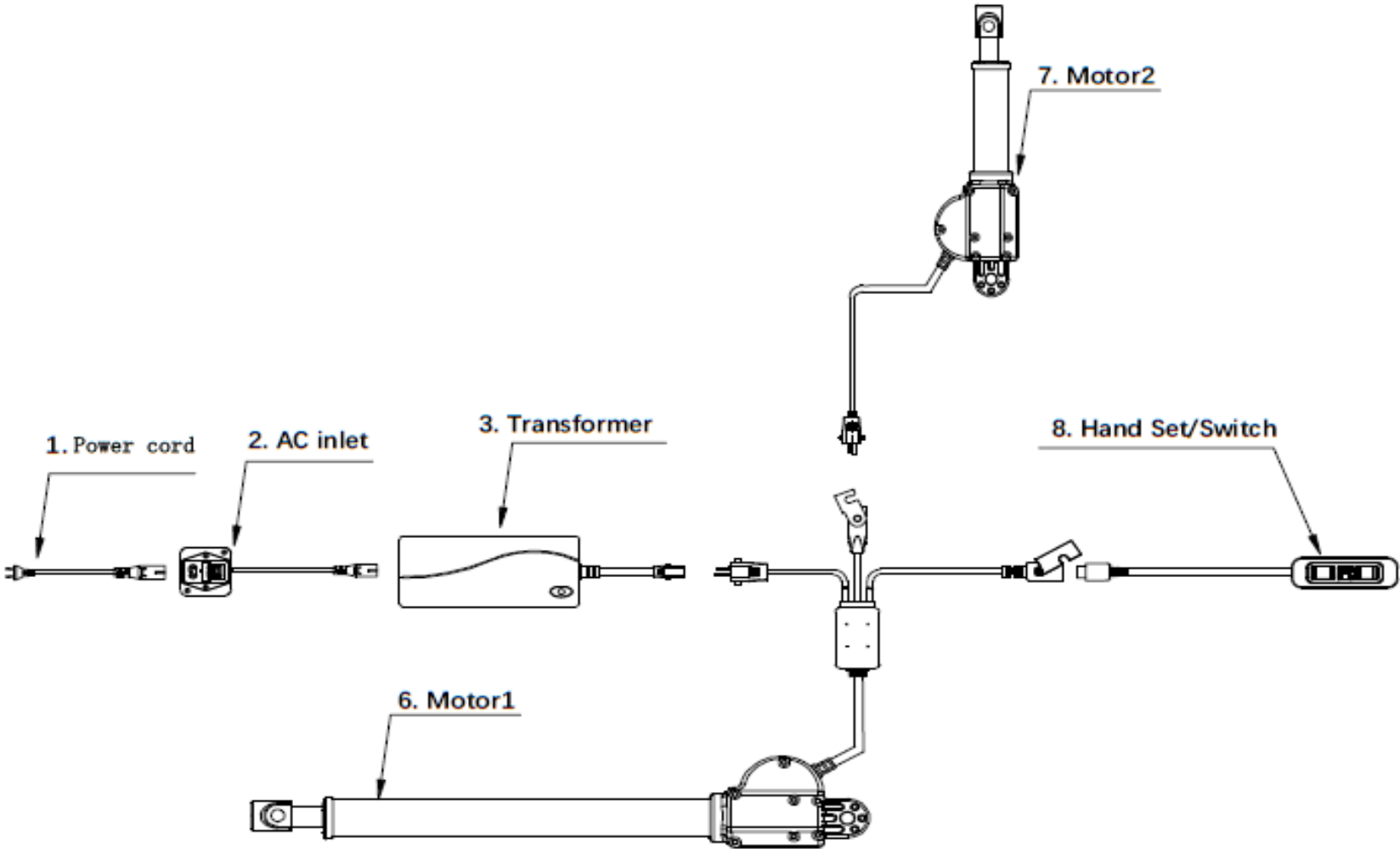
# MONTANA M454 POWER CONSOLE LOVESEAT PARTS



# MONTANA M454 POWER SOFA PARTS

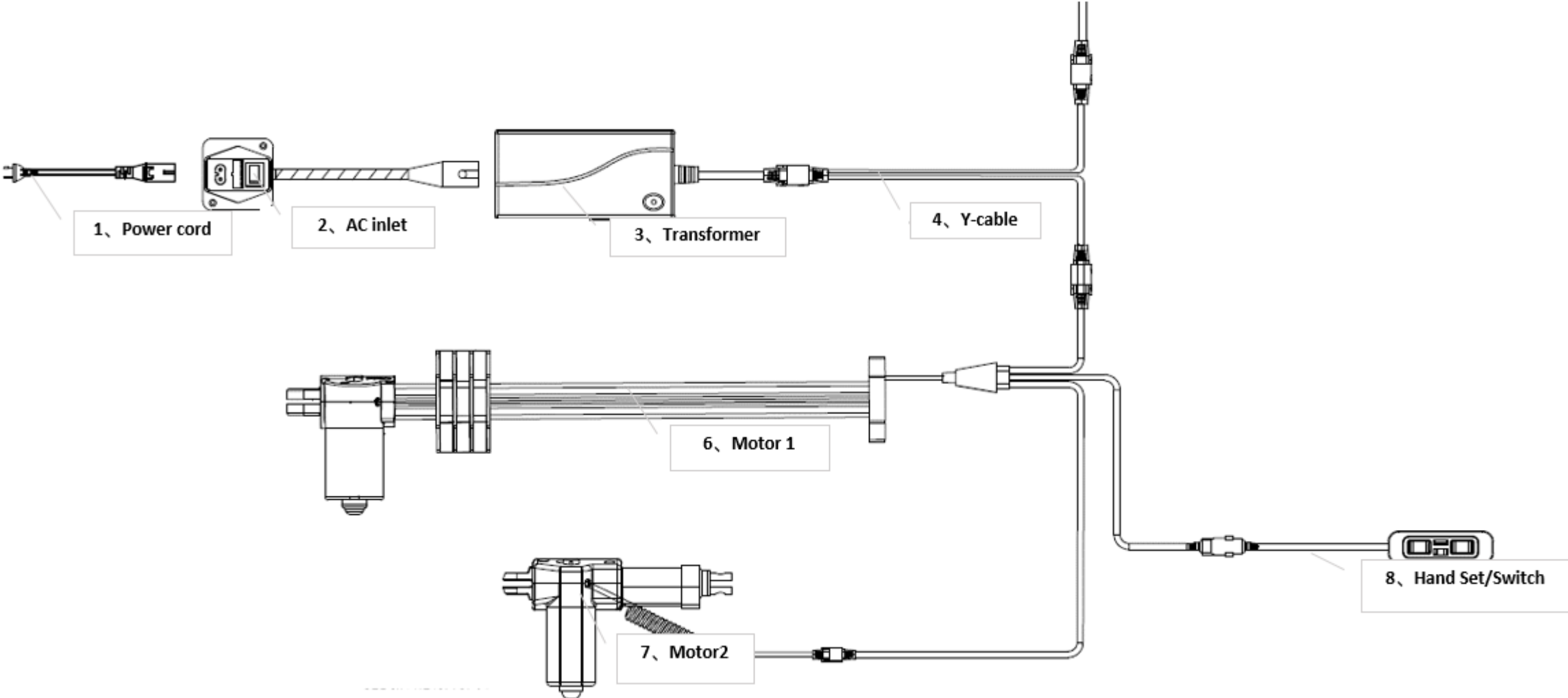


# MONTANA M454 POWER RECLINER PARTS

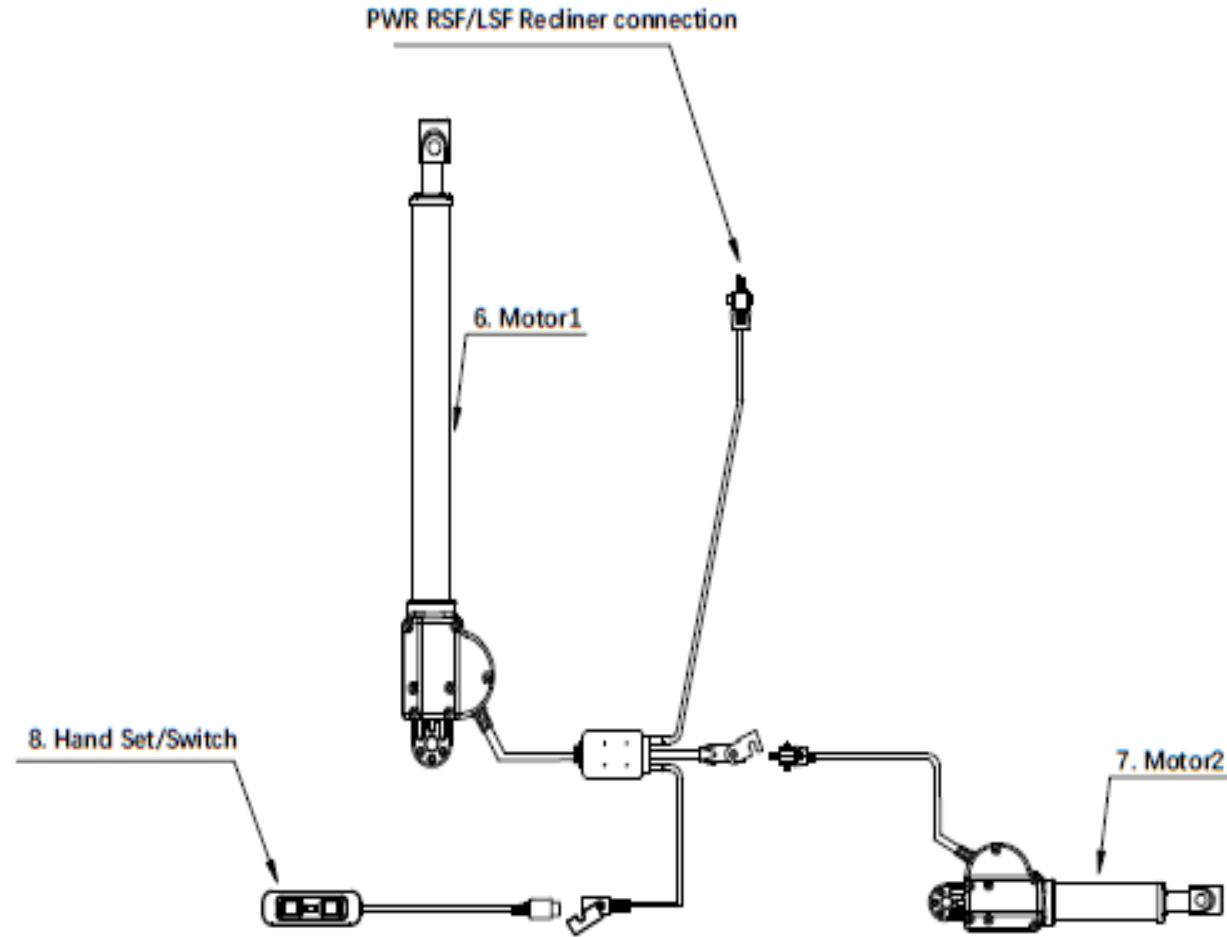


# MONTANA M454 SECTIONAL POWER LAF/RAF RECLINER PARTS

Connecting armless position



# MONTANA M454 SECTIONAL POWER ARMLESS RECLINER PARTS



# MONTANA M454 SECTIONAL CONSOLE TABLE PARTS

