

ASSEMBLY INSTRUCTIONS



A	NIGHTSTAND		X1
B	LEG (Packed underneath bottom panel)		X4
C	TIPPING RESTRAINT (Affix to wall behind Nightstand) *Located at the back panel		X1
D	JCBC BOLT WITH SPRING WASHER AND FLAT WASHER M6 x 50mm		X8
E	ALLEN KEY M4		X1

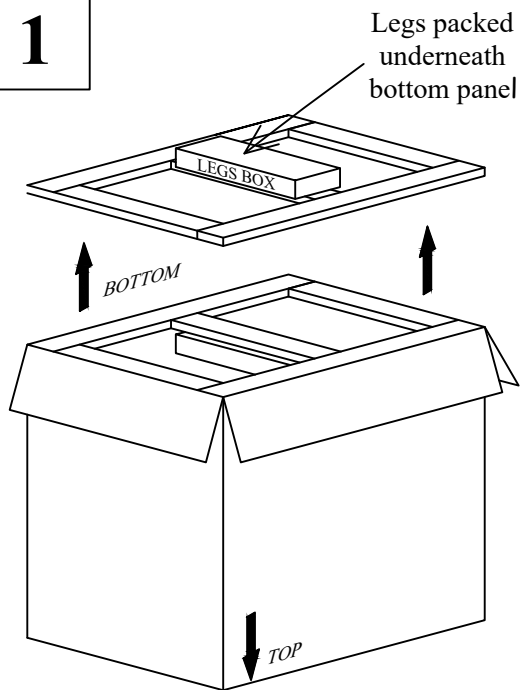
NIGHTSTAND



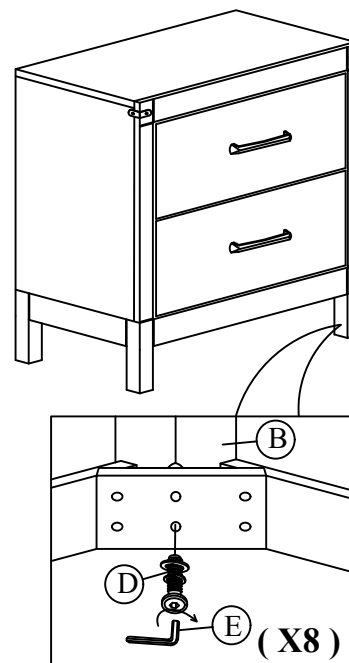
B3100-2-T - NIGHTSTAND

X2	00:05	(Included)
		(Not included)

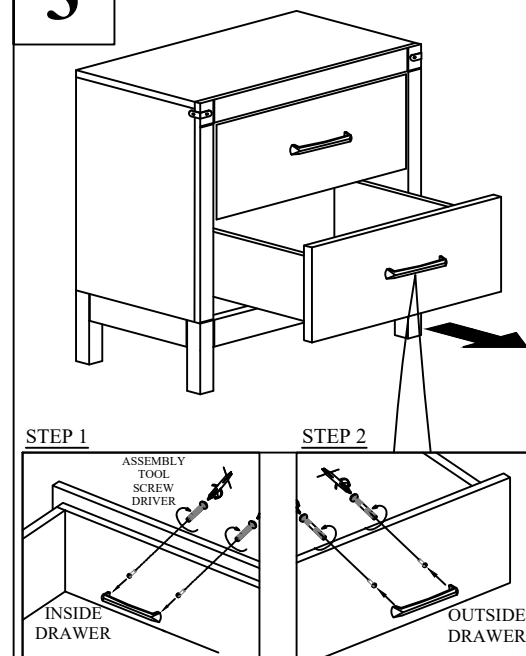
1



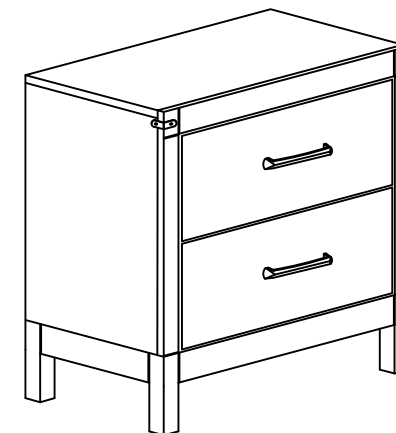
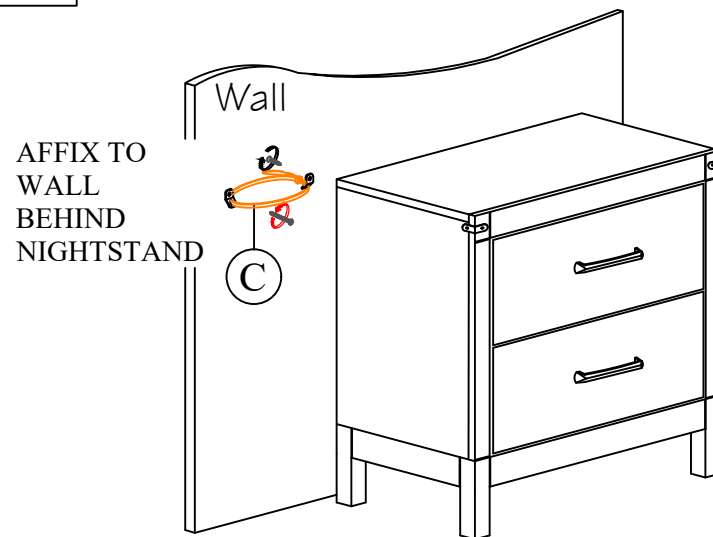
2



3



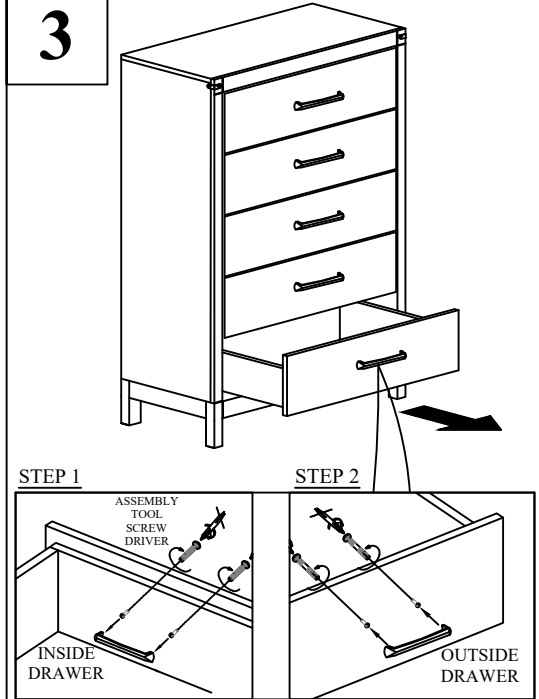
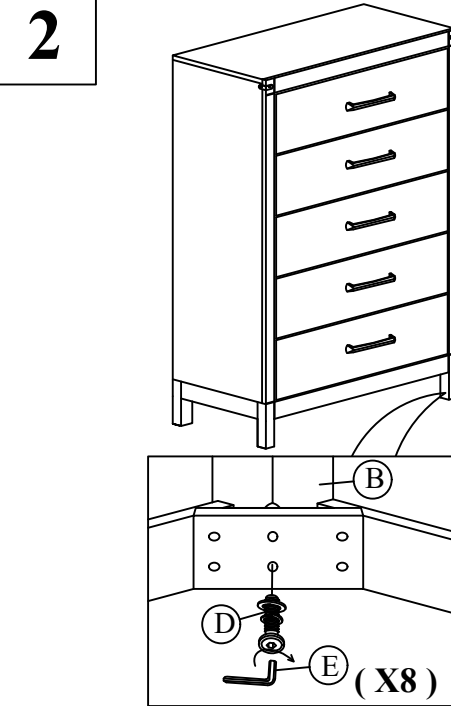
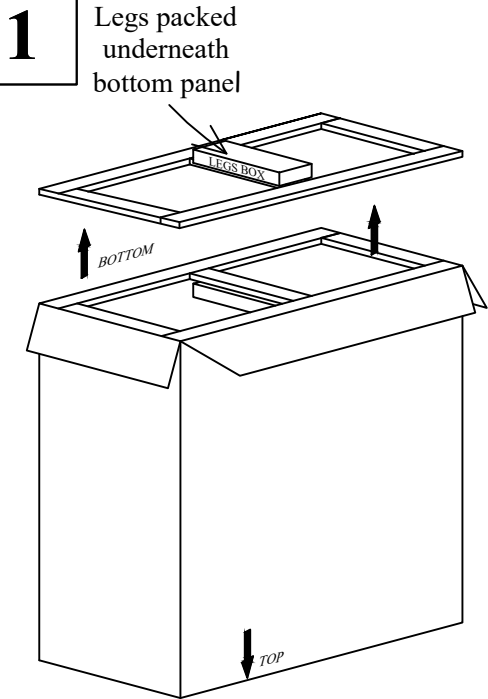
4



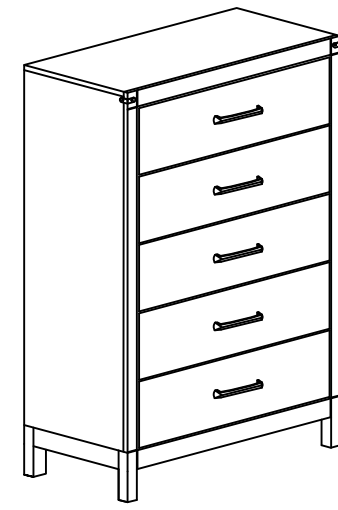
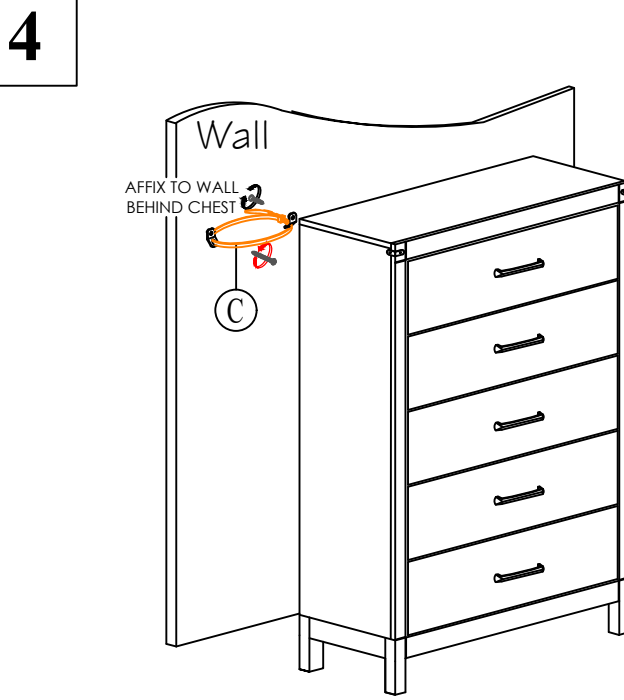
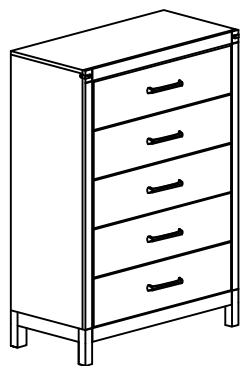
ASSEMBLY INSTRUCTIONS



A	CHEST		X1
B	LEG (Packed underneath bottom panel)		X4
C	TIPPING RESTRAINT (Affix to wall behind Chest) *Located at the back panel		X1
D	JCBC BOLT WITH SPRING WASHER AND FLAT WASHER M6 x 50mm		X8
E	ALLEN KEY M4		X1



CHEST



B3100-4 - CHEST

X2

00:05

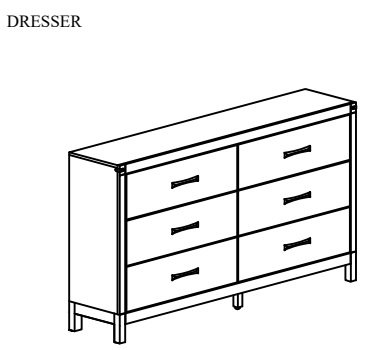
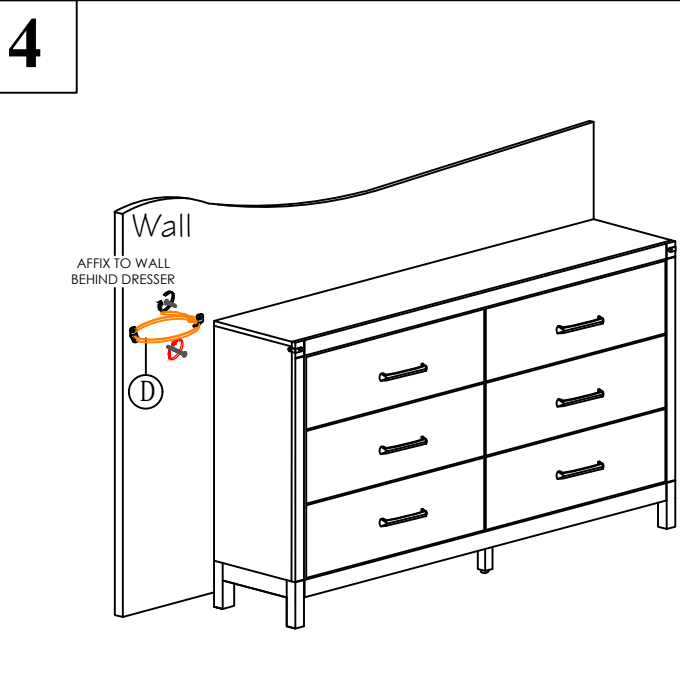
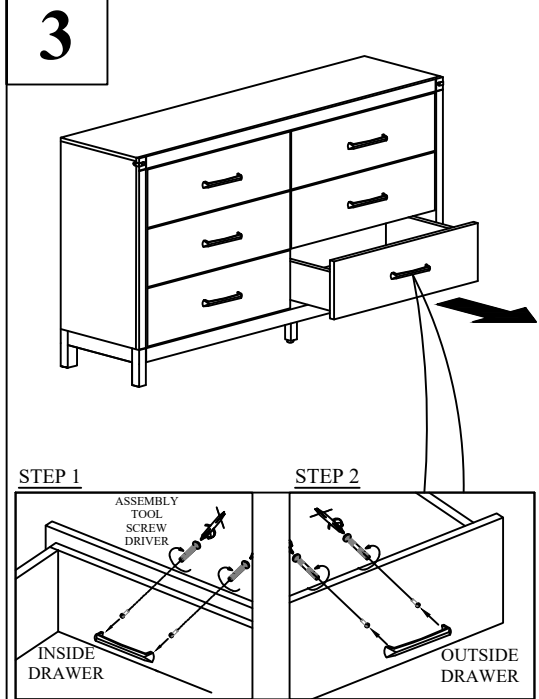
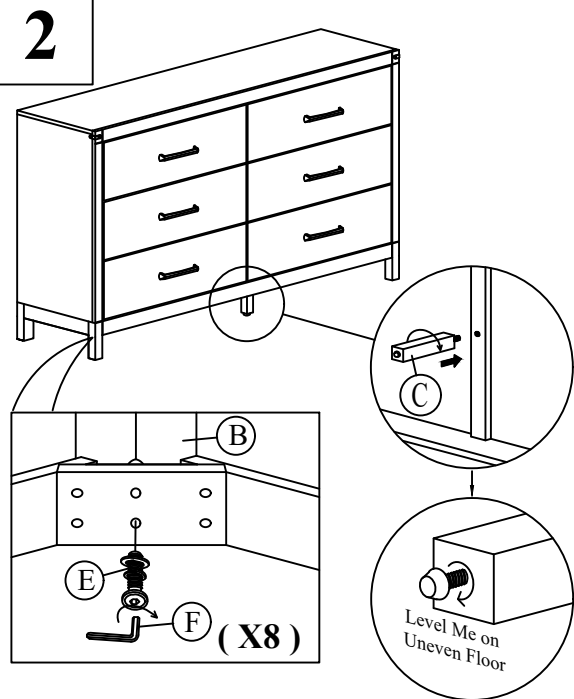
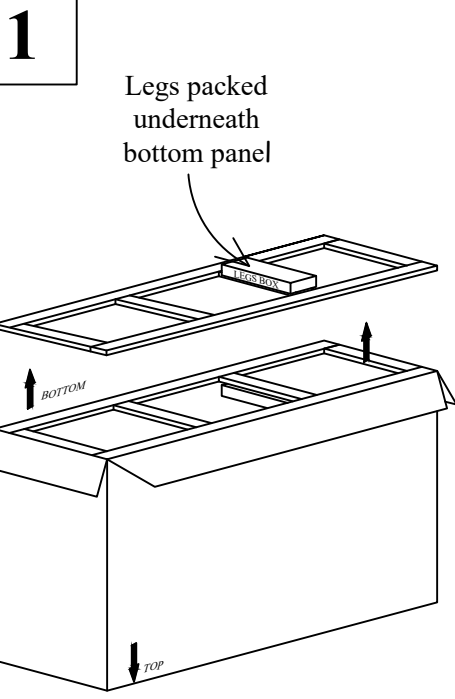
(Included)

(Not included)

ASSEMBLY INSTRUCTIONS



A	DRESSER		X1
B	LEG (Packed underneath bottom panel)		X4
C	SUPPORT LEG		X1
D	TIPPING RESTRAINT (Affix to wall behind Dresser) *Located at the back panel		X1
E	JCBC BOLT WITH SPRING WASHER AND FLAT WASHER	 M6 x 50mm	X8
F	ALLEN KEY	 M4	X1



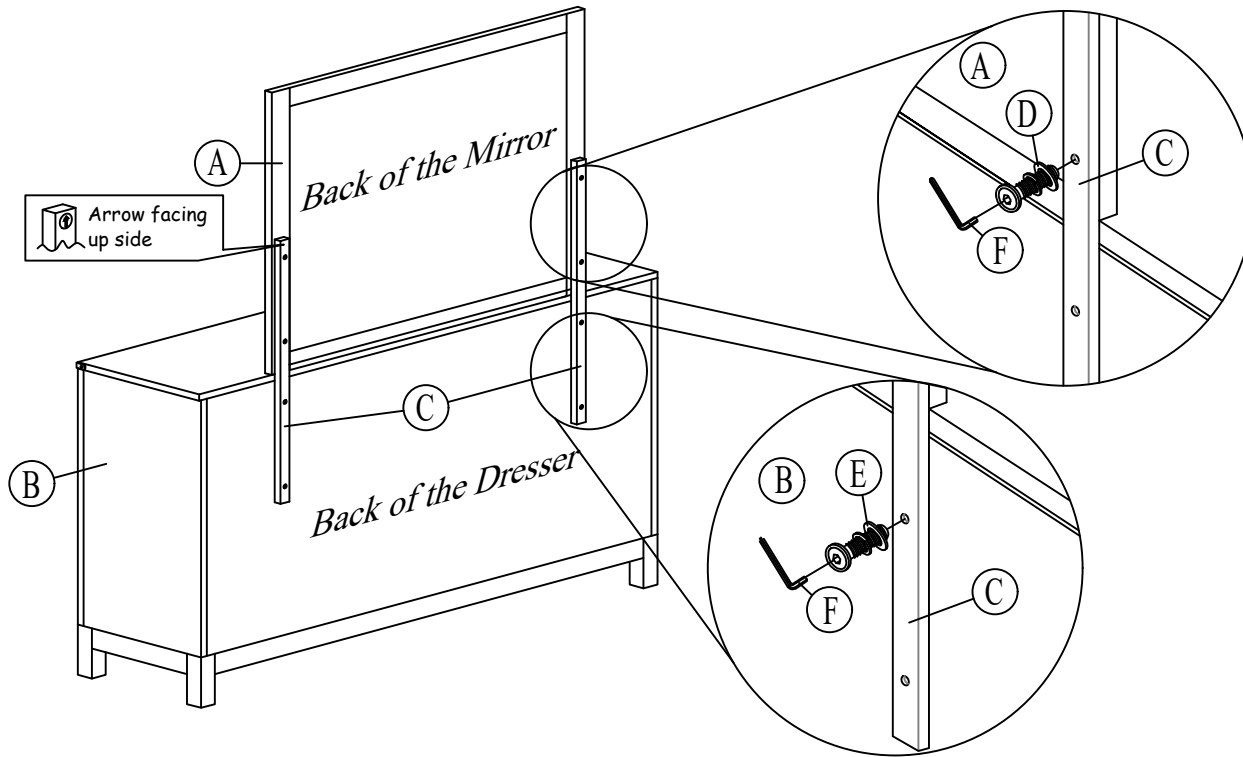
B3100-1 - DRESSER

ASSEMBLY INSTRUCTIONS

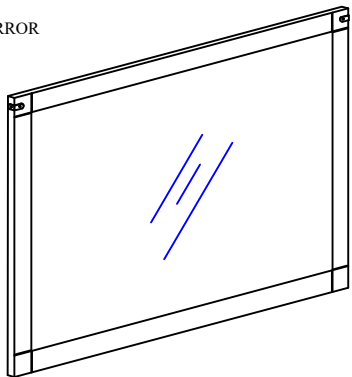


1

A	MIRROR		X1
B	DRESSER		X1
C	MIRROR SUPPORT RAIL		X2
D	JCBC BOLT WITH SPRING WASHER AND FLAT WASHER	 M6 x 35mm	X4
E	JCBC BOLT WITH SPRING WASHER AND FLAT WASHER	 M6 x 40mm	X4
F	ALLEN KEY	 M4	X1

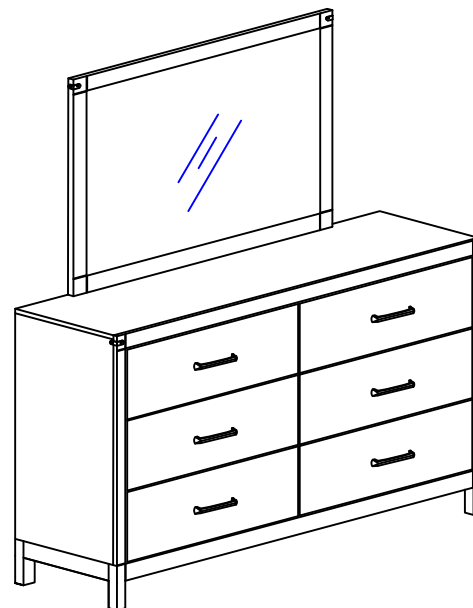


MIRROR



B3100-11 - MIRROR

X2	00:05	(Included)
		(Not included)

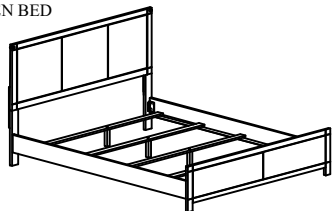


ASSEMBLY INSTRUCTIONS

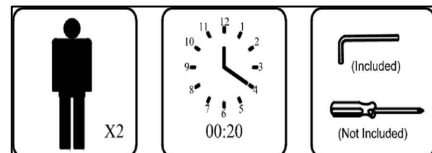


A	HEADBOARD PANEL		X1
B	RIGHT HEADBOARD LEG		X1
C	LEFT HEADBOARD LEG		X1
D	FOOTBOARD PANEL		X1
E	SLAT		X4
F	SLAT SUPPORT		X4
G	RIGHT SIDE RAIL		X1
H	LEFT SIDE RAIL		X1
I	JCBC BOLT WITH SPRING WASHER AND FLAT WASHER		X6 M6 x 40mm
J	ALLEN KEY		X1 M4
K	SCREW P/H RATTAN		X8 8 X 1 1/4"
L	JCBC BOLT WITH SPRING WASHER AND FLAT WASHER		X8 M8 x 25mm
M	ALLEN KEY		X1 M5

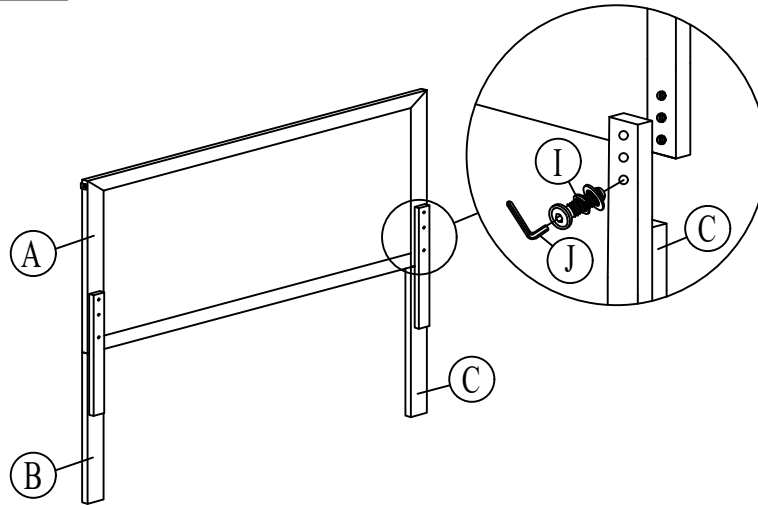
QUEEN BED



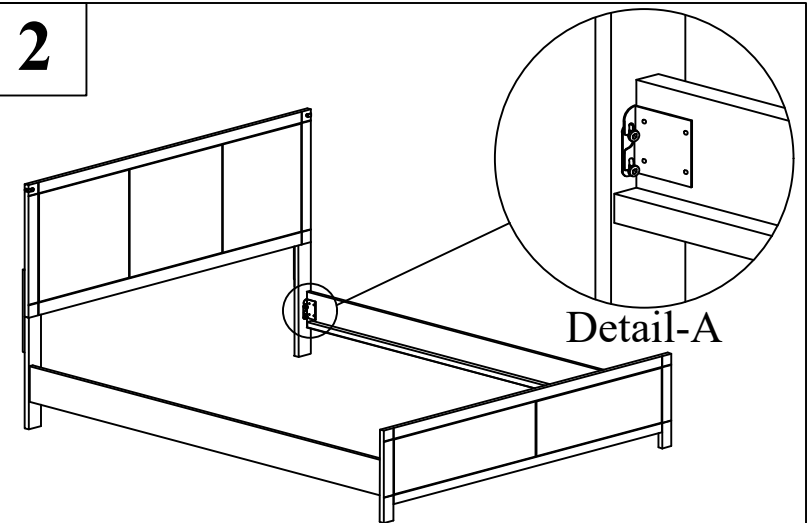
B3100-Q-HBFB / B3100-QQ-RAIL - QUEEN BED



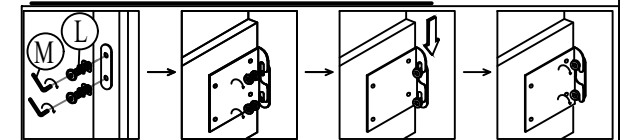
1



2



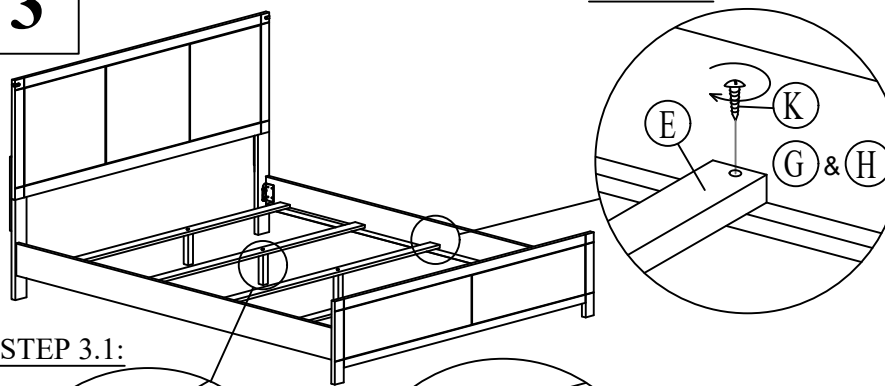
COMPLETED ASSEMBLY



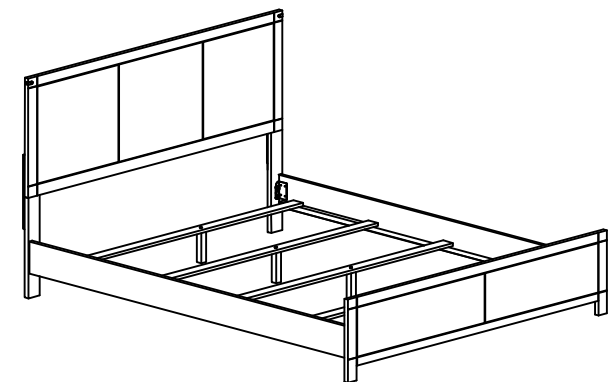
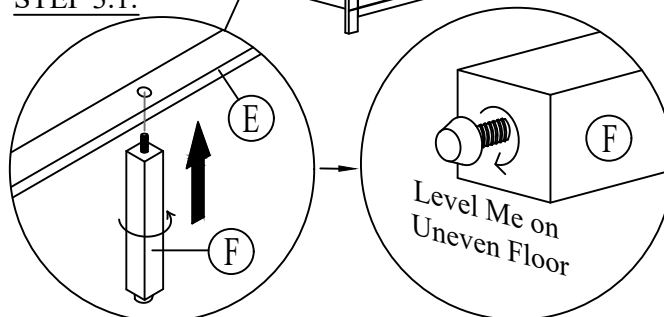
Detail-A

3

STEP 3.2:



STEP 3.1:

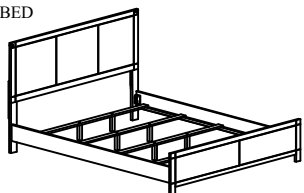


ASSEMBLY INSTRUCTIONS

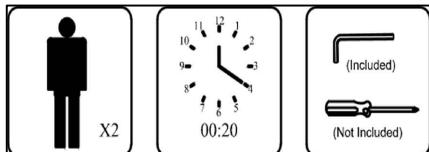


A	HEADBOARD PANEL		X1
B	RIGHT HEADBOARD LEG		X1
C	LEFT HEADBOARD LEG		X1
D	FOOTBOARD PANEL		X1
E	SLAT		X4
F	SLAT SUPPORT		X8
G	RIGHT SIDE RAIL		X1
H	LEFT SIDE RAIL		X1
I	JCBC BOLT WITH SPRING WASHER AND FLAT WASHER		X6 M6 x 40mm
J	ALLEN KEY		X1 M4
K	SCREW P/H RATTAN		X8 8 X 1 1/4"
L	JCBC BOLT WITH SPRING WASHER AND FLAT WASHER		X8 M8 x 25mm
M	ALLEN KEY		X1 M5

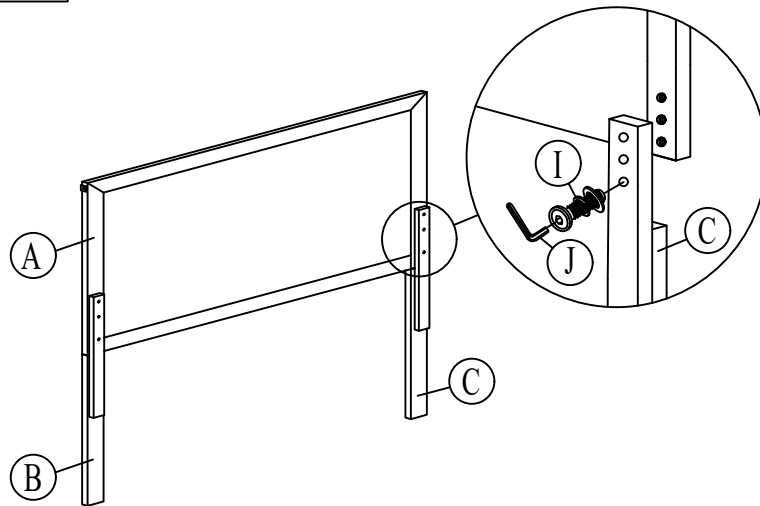
KING BED



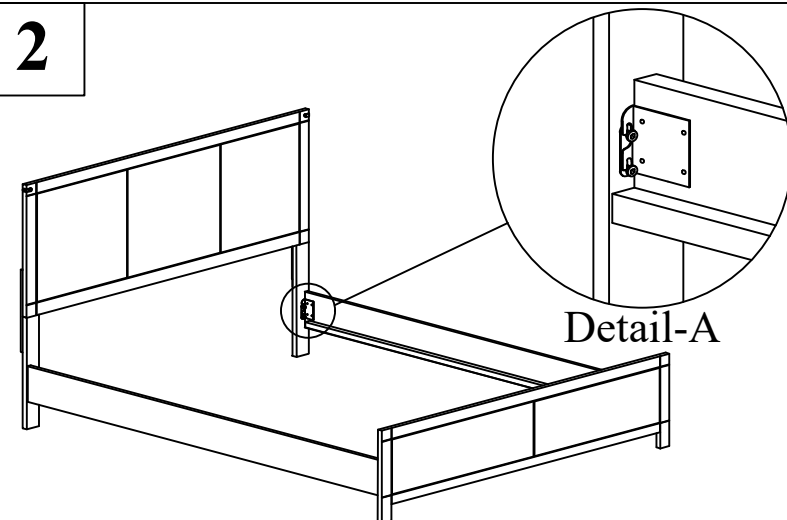
B3100-K-HBFB / B3100-KQ-RAIL - KING BED



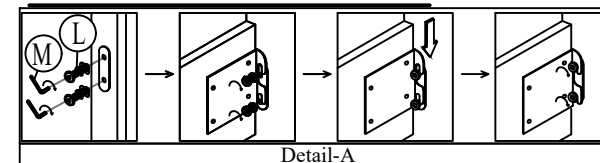
1



2

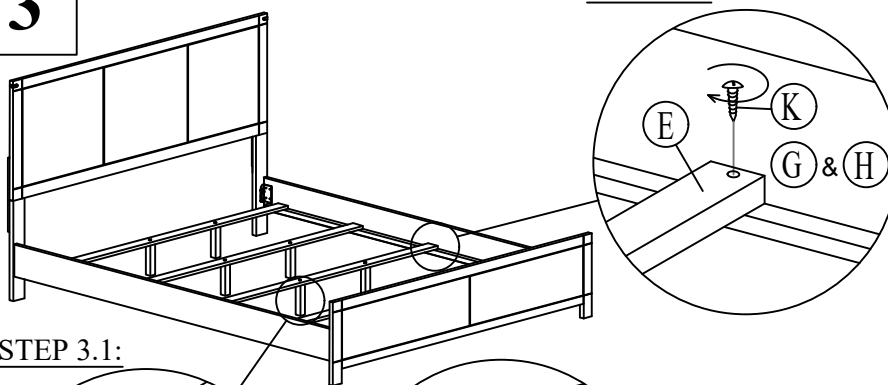


COMPLETED ASSEMBLY

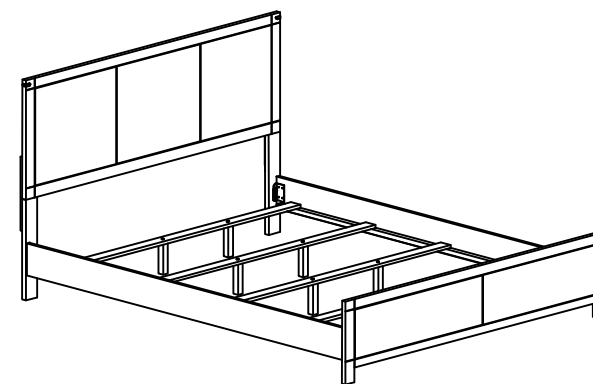
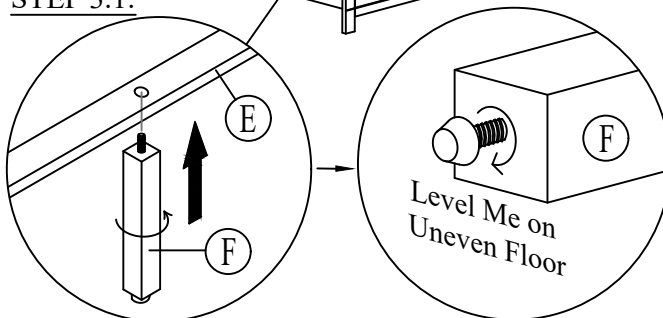


3

STEP 3.2:



STEP 3.1:

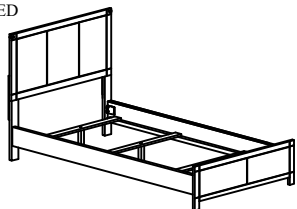


ASSEMBLY INSTRUCTIONS

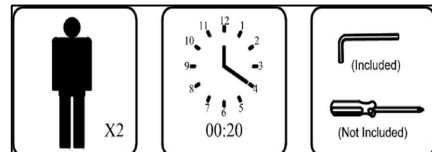


A	HEADBOARD PANEL		X1
B	RIGHT HEADBOARD LEG		X1
C	LEFT HEADBOARD LEG		X1
D	FOOTBOARD PANEL		X1
E	SLAT		X3
F	SLAT SUPPORT		X3
G	RIGHT SIDE RAIL		X1
H	LEFT SIDE RAIL		X1
I	JCBC BOLT WITH SPRING WASHER AND FLAT WASHER		X6
		M6 x 40mm	
J	ALLEN KEY		X1
		M4	
K	SCREW P/H RATTAN		X8
		8 X 1 1/4"	
L	JCBC BOLT WITH SPRING WASHER AND FLAT WASHER		X8
		M8 x 25mm	
M	ALLEN KEY		X1
		M5	

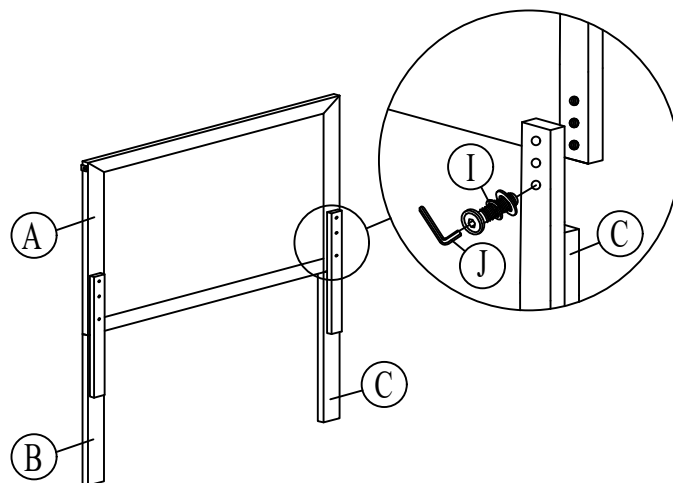
TWIN BED



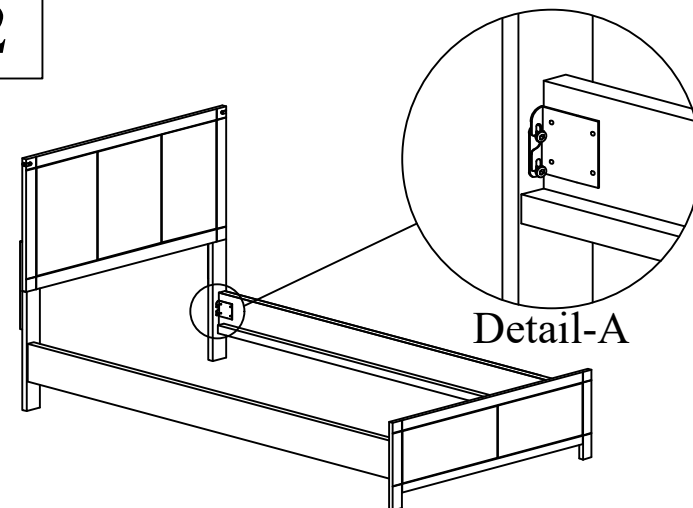
B3100-T-HBFB / B3100-FT-RAIL - TWIN BED



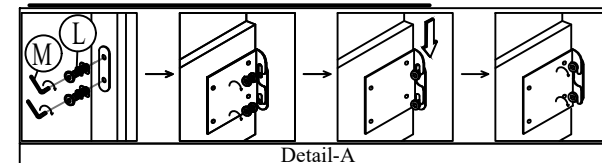
1



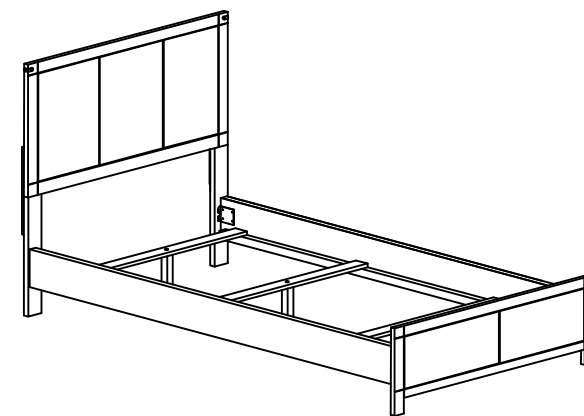
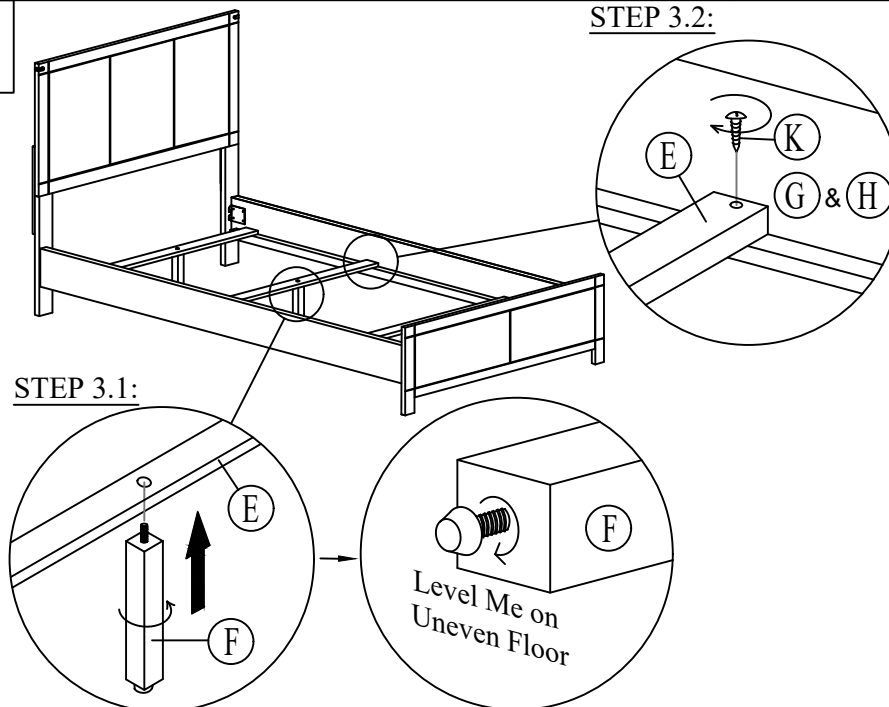
2



COMPLETED ASSEMBLY



3

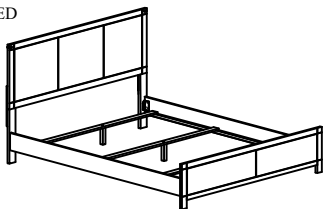


ASSEMBLY INSTRUCTIONS

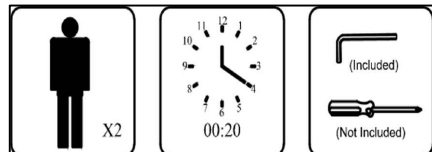


A	HEADBOARD PANEL		X1
B	RIGHT HEADBOARD LEG		X1
C	LEFT HEADBOARD LEG		X1
D	FOOTBOARD PANEL		X1
E	SLAT		X3
F	SLAT SUPPORT		X3
G	RIGHT SIDE RAIL		X1
H	LEFT SIDE RAIL		X1
I	JCBC BOLT WITH SPRING WASHER AND FLAT WASHER		X6 M6 x 40mm
J	ALLEN KEY		X1 M4
K	SCREW P/H RATTAN		X8 8 X 1 1/4"
L	JCBC BOLT WITH SPRING WASHER AND FLAT WASHER		X8 M8 x 25mm
M	ALLEN KEY		X1 M5

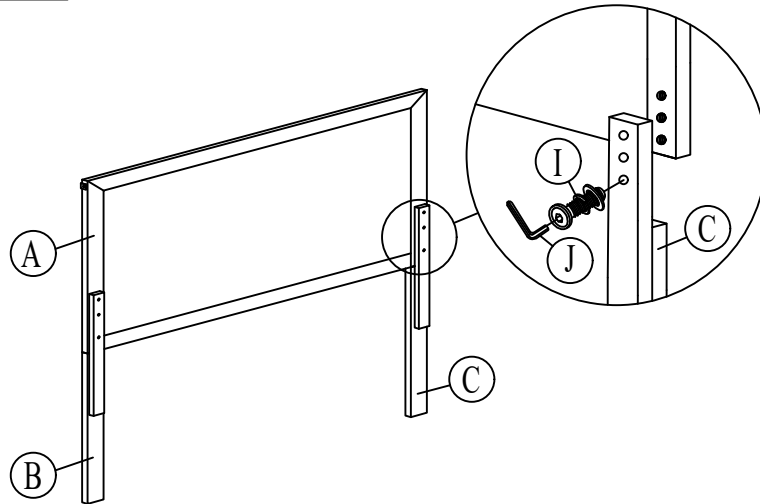
FULL BED



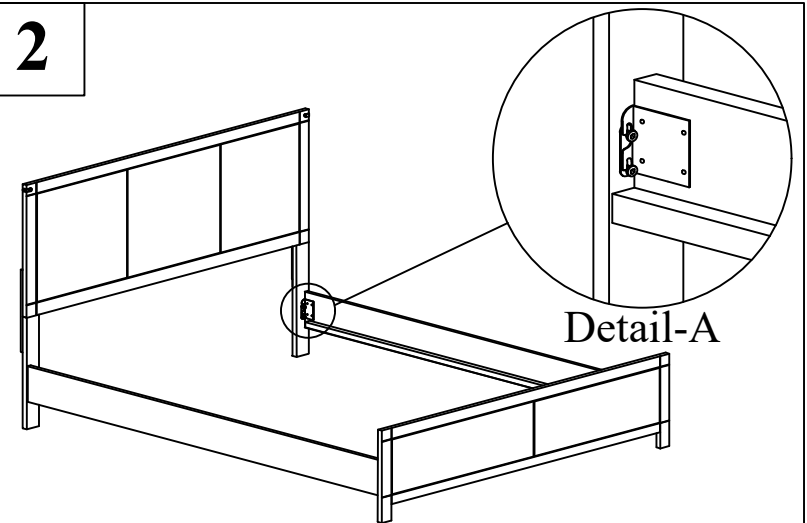
B3100-F-HBFB / B3100-FT-RAIL - FULL BED



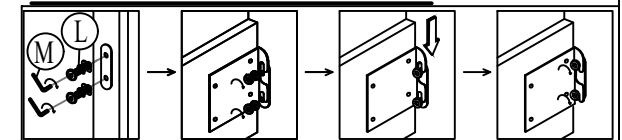
1



2

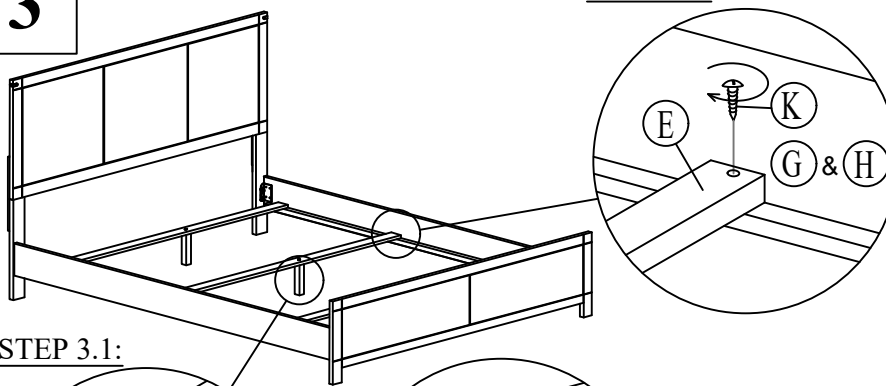


COMPLETED ASSEMBLY

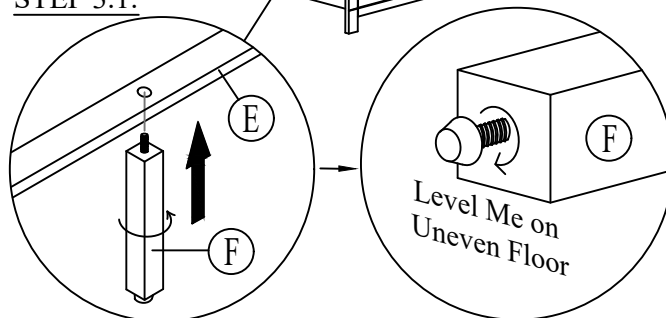


3

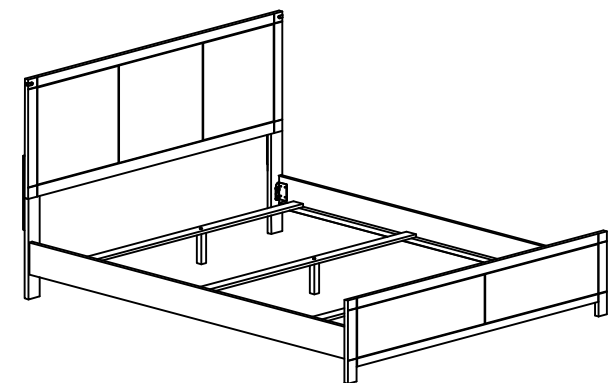
STEP 3.2:



STEP 3.1:



Level Me on Uneven Floor



ASSEMBLY INSTRUCTIONS

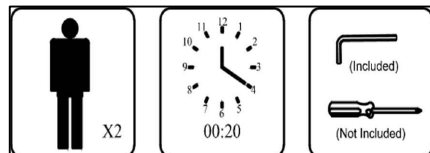


A	HEADBOARD PANEL		X1
B	RIGHT HEADBOARD LEG		X1
C	LEFT HEADBOARD LEG		X1
D	FOOTBOARD PANEL		X1
E	SLAT		X4
F	SLAT SUPPORT		X8
G	CAL KING SIDE RAIL		X2
H	JCBC BOLT WITH SPRING WASHER AND FLAT WASHER		X6 M6 x 40mm
I	ALLEN KEY		X1 M4
J	SCREW P/H RATTAN		X8 8 X 1 1/4"
K	JCBC BOLT WITH SPRING WASHER AND FLAT WASHER		X8 M8 x 25mm
L	ALLEN KEY		X1 M5

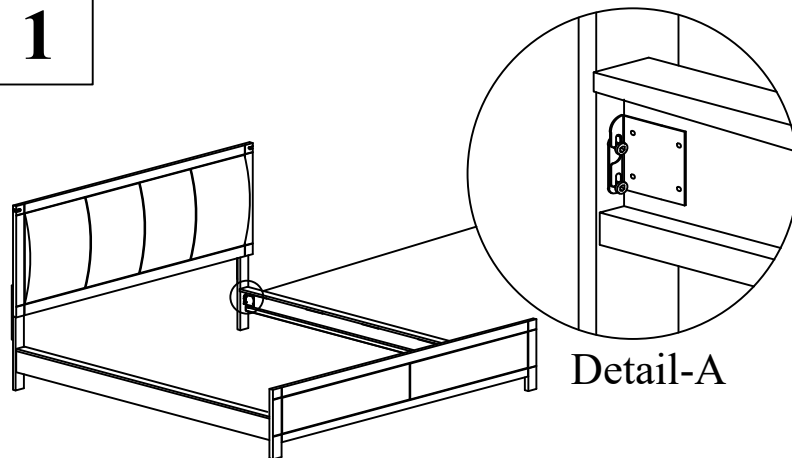
CAL KING SIDE RAIL



B3100-CK-RAIL - CAL KING SIDE RAIL

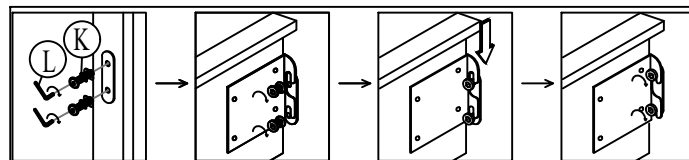


1



Detail-A

COMPLETED ASSEMBLY



Detail-A

2

