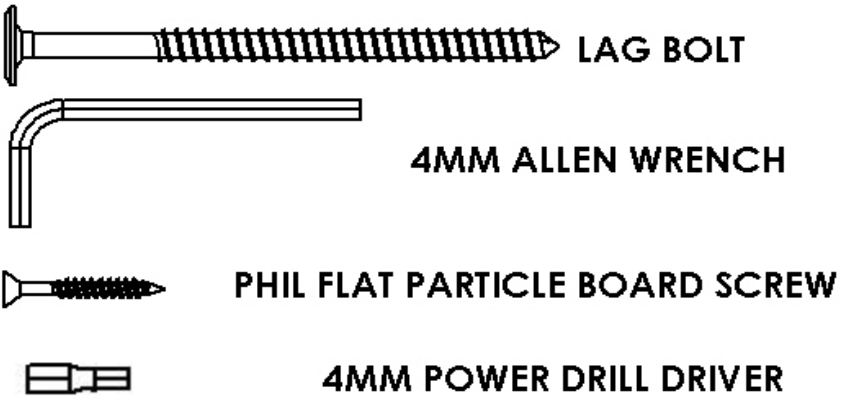


	MAS90: 5043-43240
	SUMMIT BED FRAME HARDWARE
QTY:	DESCRIPTION:
8	100MM DECORATIVE HEAD LAG BOLTS
1	4MM ALLEN WRENCH
10	6 X 1 1/4" PHIL FLAT PARTICLE BOARD SCREW
1	4MM POWER DRILL DRIVER
	

ASSEMBLY: 1 PERSON AND 30 MINUTES

TOOLS:

- 1) 4 mm Allen Wrench (INCLUDED)
- 2) 4 mm Allen Drill Bit
(Be sure to FULLY SEAT bit into bolt head before turning)
- 3) Phillips Head Screwdriver

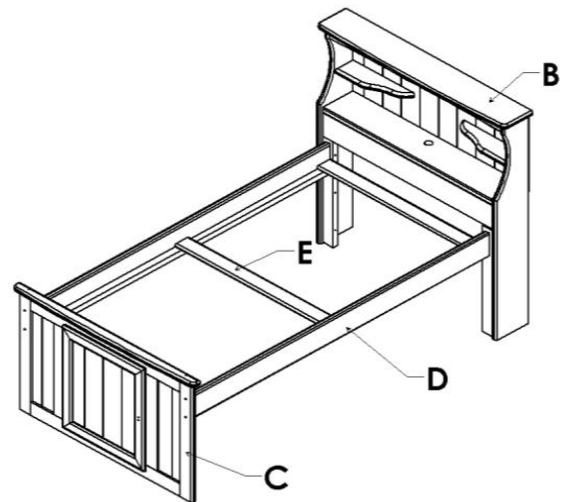
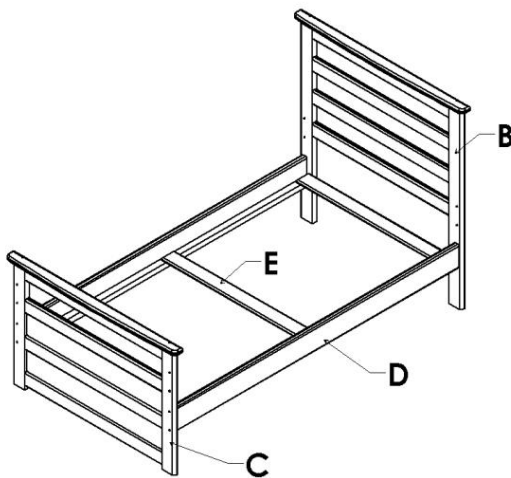
We recommend using a power driver with the drill bit if available

BE SURE THAT LAG BOLTS ARE STARTED INTO THE HOLES ON THE FRAME RAILS DURING ASSEMBLY.
DO NOT FULLY TIGHTEN UNTIL ASSEMBLY IS LOOSELY COMPLETE.

SUMMIT TWIN AND FULL BED ASSEMBLY INSTRUCTIONS

4650/4651/4652 TWIN PANEL BED
4655/4656/4657 FULL PANEL BED

4650/4653/4654 TWIN BKCS BED
4655/4658/4659 FULL BKCS BED



PARTS LIST

- A) 8 – 100mm Decorative Head Lag Bolts
- B) 1- Headboard Assembly
- C) 1- Footboard Assembly
- D) 2 -5 1/4" x 75" Mattress Rails w/Support Cleats.
- E) 3 -3 1/2" x 38 3/4" (Twin) **OR** 3 - 3 1/2" x 53 3/4" (Full) Loose Slats
- F) 10 -1 1/4" Wood Screws
- G) 1 – 4mm Driver for power drill

NOTE:

Make sure you have all parts before beginning assembly. If you need a part, contact the dealer where you purchased your bed.

- 1) Attach mattress rails (D), to headboard (B), and footboard (C) with eight lag bolts and tighten.
- 2) Spread Slat roll out across bed frame from end to end. Place wood screws in 4 outside corners with slat pushed tightly up against the footboard/headboard. Place 3 loose slats into gaps in slat roll, and screw down with wood screws. See Slat installation information on following pages.
- 3) Add the proper thickness innerspring bunk mattress. See Living Spaces for details.

