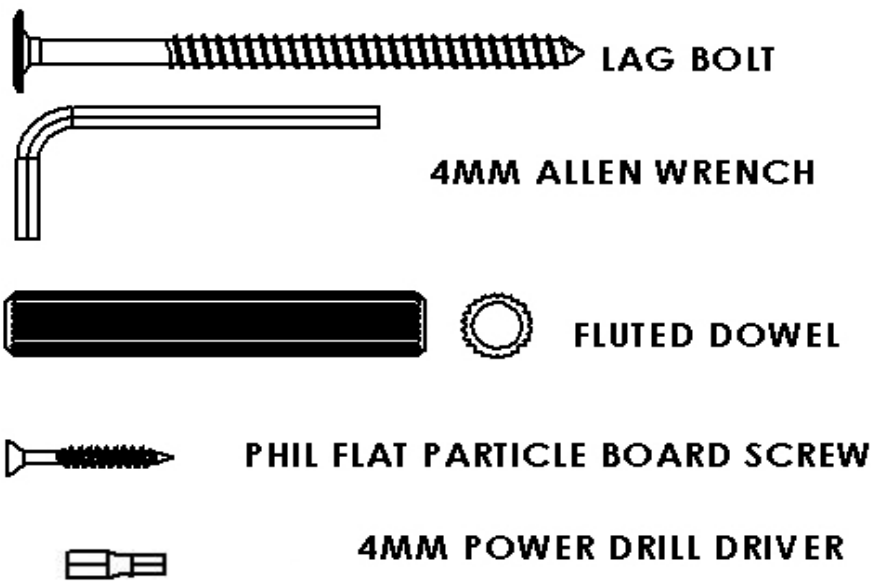


MAS90: 5043-43250	
SUMMIT BUNK FRAME HARDWARE	
<u>QTY:</u>	<u>DESCRIPTION:</u>
32	100MM DECORATIVE HEAD LAG BOLTS
1	4MM ALLEN WRENCH
4	1/2" X 3" FLUTED WOODEN DOWELS
20	6 X 1 1/4" PHIL FLAT PARTICLE BOARD SCREW
1	4MM DRIVER FOR POWER DRILL
	

ASSEMBLY: 2 PERSONS AND 60 MINUTES

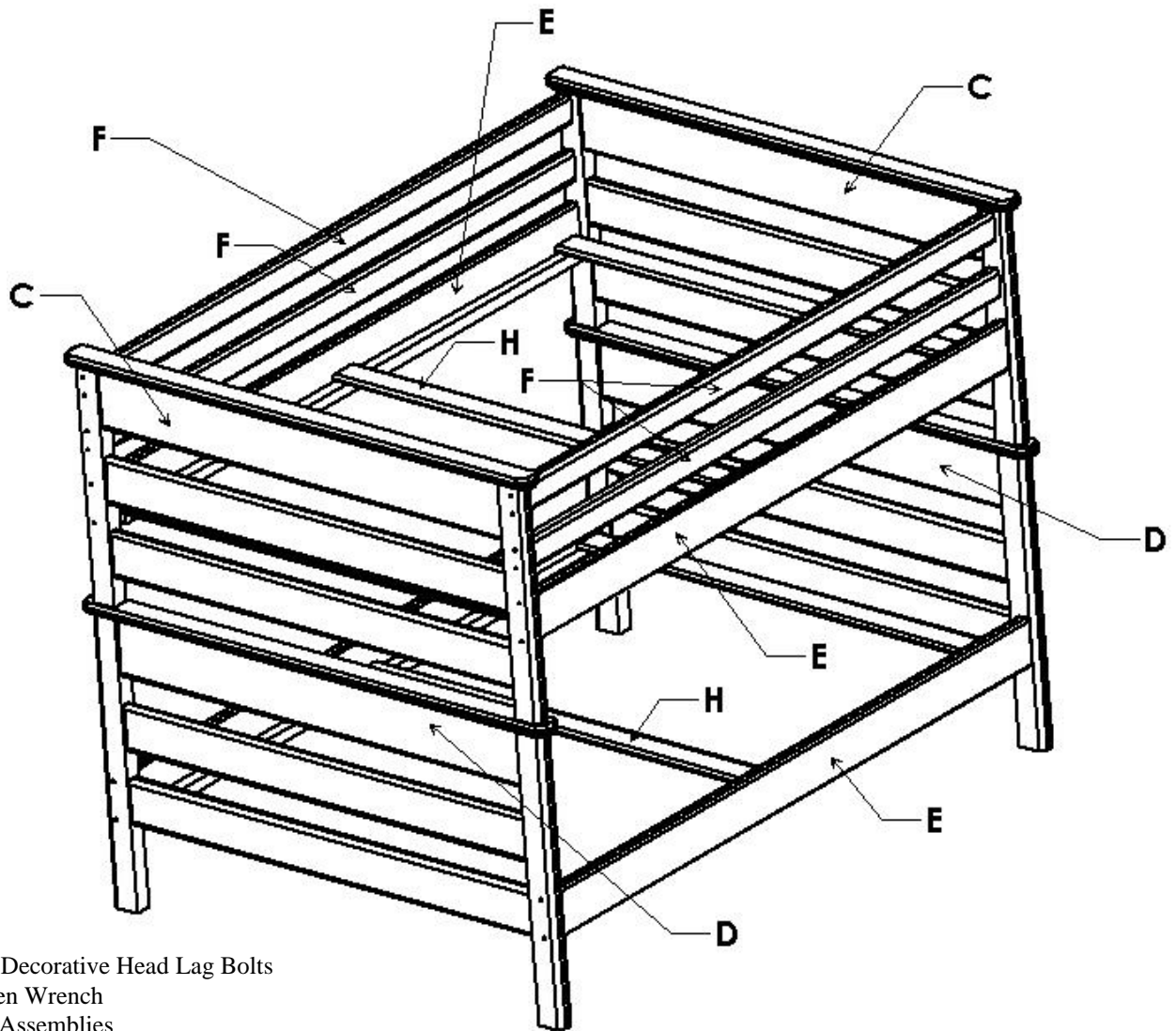
TOOLS:

- 1) 4mm Allen Wrench (INCLUDED)
- 2) 4mm Allen Drill Bit (Be sure to FULLY SEAT bit into bolt head before turning)
- 3) Phillips head Screwdriver or Drill with Phillips Bit

We recommend using a power driver with the drill bit if available

BE SURE THAT LAG BOLTS ARE STARTED INTO THE HOLES ON THE FRAME RAILS DURING ASSEMBLY. DO NOT FULLY TIGHTEN UNTIL ASSEMBLY IS COMPLETE

4674/4675 SUMMIT FULL/FULL BUNK BED



PARTS LIST:

- A) 32 - 100mm Decorative Head Lag Bolts
- B) 1 - 4mm Allen Wrench
- C) 2 - Top End Assemblies
- D) 2 - Bottom End Assemblies
- E) 4 - 5" x 75" Mattress Rails w/Support Cleats
- F) 4 - 3 1/4" x 75" Guard Rails
- G) 4 - 1/2" x 3" Wooden Dowels
- H) 6 - 3 1/2" x 53 3/4" Loose Slats
- I) 20 - 1 1/4" Wood Screws
- J) 1 - 4mm Driver for Power Drill

BE SURE THAT LAG BOLTS ARE STARTED INTO THE HOLES ON THE FRAME RAILS DURING ASSEMBLY. START LAG BOLTS INTO ALL RAILS BEFORE TIGHTENING.

ASSEMBLY INSTRUCTIONS:

Make sure you have all parts before beginning assembly. If you need a part, contact the dealer where you purchased your bed.

- 1) Attach two mattress rails(E) to two bottom end assemblies(D) with 8 lag bolts and tighten.
- 2) Attach two mattress rails(E) and two guard rails(F) to top end assembly with 24 lag bolts and tighten.
- 3) Place four wooden dowels in the four holes in top edge of bottom bunk assembly.
- 4) Place the top bunk assembly on the bottom bunk assembly, ensuring that the dowels are inserted in holes in the top bunk assembly.
- 5) Spread Slat roll out across bed frame from end to end. Place wood screws in 4 outside corners with slat pushed tightly up against the bed ends. Place 3 loose slats into gaps in slat roll, and screw down with wood screws. See slat installation information on following pages.
- 6) Add the proper thickness innerspring bunk mattresses. See dealer for details.



00500

SAFETY WARNING

Summit Bunk Beds have been tested by an Independent Laboratory and are certified to be in compliance with: ASTM F-1427, "Standard Consumer Safety Specification for Bunk Beds" and U.S. Government specifications 16 Code of Federal Regulations, parts 1213 and 1513.

SAFETY WARNINGS

1. Follow the information on the warnings attached to the upper bunk end structure and on the carton. Do not remove this label.
2. Always use the recommended size mattress or mattress support, or both, to help prevent the likelihood of entrapment or falls.
3. Surface of mattress must be at least five inches(127mm) below the upper edge of guardrails.
4. Do not allow children less than six years of age to use the upper bunk.
5. Periodically, check and ensure that the guardrail, ladder and other components are in their proper position, free from damage and that all connectors are tight.
6. Do not allow horseplay on or under the bed and prohibit jumping on the bed.
7. Prohibit more than one person on upper bunk.
8. Always use the ladder or bed end for entering and leaving the upper bunk.
9. Do not use substitute parts. Contact manufacturer or dealer for replacement parts.
10. Use of a night-light may provide added safety precautions for a child using the upper bunk.
11. If the bunk bed will be placed next to a wall, the guardrail that runs the full length of the bed should be placed against the wall to prevent entrapment between the bed and the wall. (This applies only to bunk beds without two full-length guardrails.)
12. Always use guardrails on both long sides of the upper bunk.
13. The use of water or sleep flotation mattress is prohibited.
14. Keep these instructions for future reference.

STRANGULATION HAZARD

15. Never attach or hang items to any part of the bunk bed that are not designed for use with the bed for example, but not limited to hooks, belts and jump ropes.

SIZE OF MATTRESS AND FOUNDATION A FOUNDATION IS REQUIRED WITH 3 SLAT CONFIGURATION

Your Twin bed is designed to use a mattress 37"-39" in width and 74" - 75" in length.

Your Full bed is designed to use a mattress 52"- 54" in width and 74" - 75" in length.

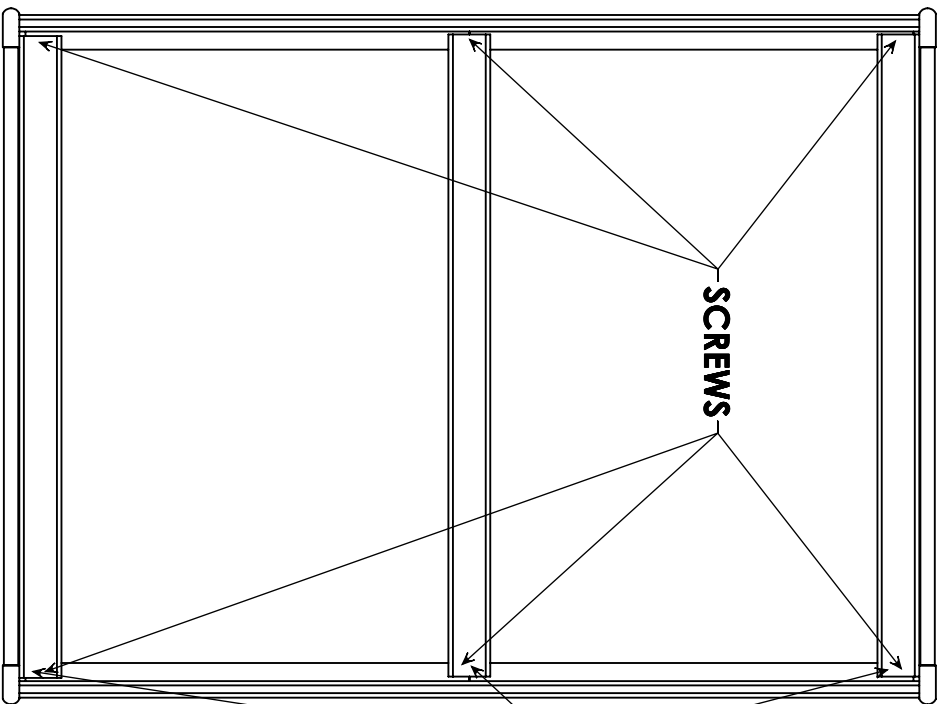
The total thickness of mattress and foundation (slat kit, bunk board, etc.) combined must not exceed **10"**.

Note: There must be at least 5" from mattress sleeping surface to top edge of guardrail.

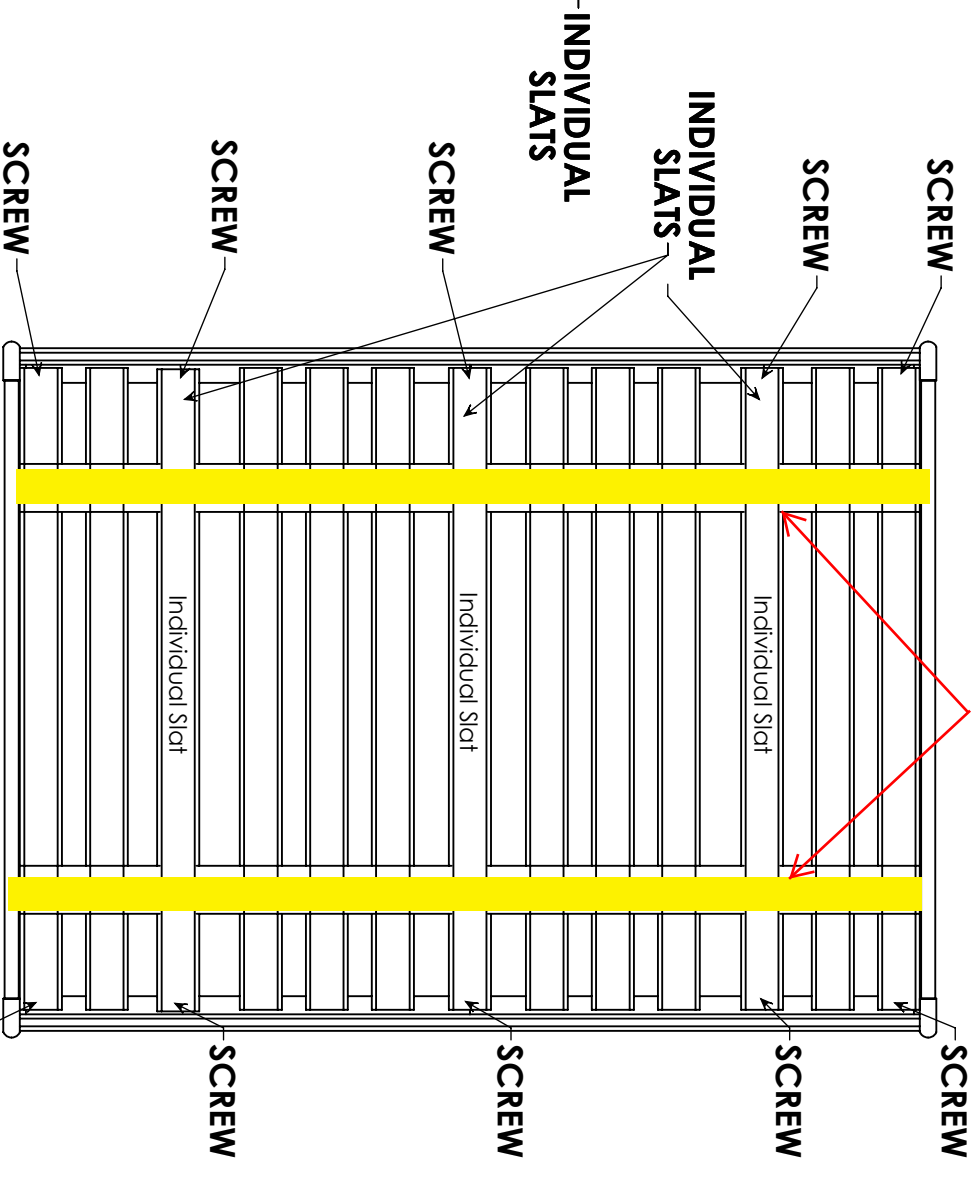
REPLACEMENT PARTS

Replacement parts, including additional guardrails, may be obtained from your Furniture dealer.

When used with a slot roll, the three individual slats should be placed evenly in the gaps and underneath the strapping before fastening.



Installation of individual slats for use with
 Bunkie Board
 (Bunkie Board sold separately)
 See your retailer for purchase of Bunkie
 Board



Installation of individual slats for use with
 Slot Roll
 (Slot roll sold separately)
 See your retailer for purchase of Slot Roll