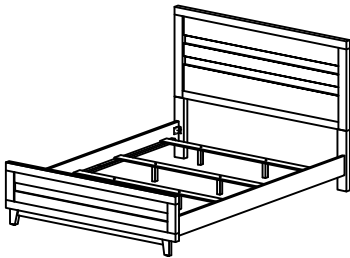




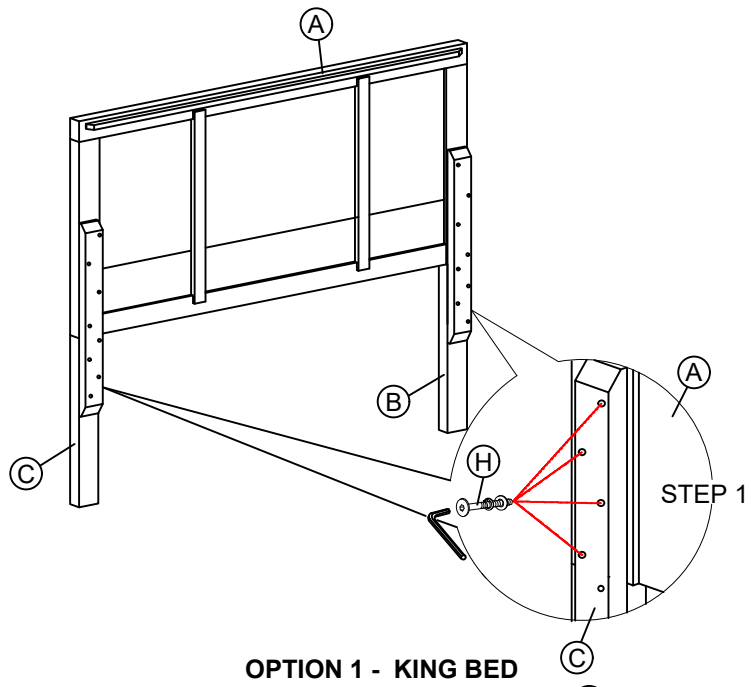
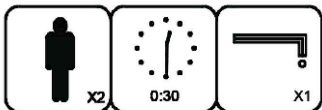
LIVING SPACES

A	B8280 - K - HBFB - A		X 1
B	B8280 - K - HBFB - B		X 1
C	B8280 - K - HBFB - C		X 1
D	B8280 - K - HBFB - D		X 1
E	B8280 - K - HBFB - E		X 4
F	B8280 - K - HBFB - F		X 8
G	B8280 - KQ - RAIL - G		X 2
H	B8280 - K - HBFB - H		X 8
I	B8280 - K - HBFB - I		X 8
J	B8280 - K - HBFB - J		X 8
K	B8280 - K - HBFB - K		X 8

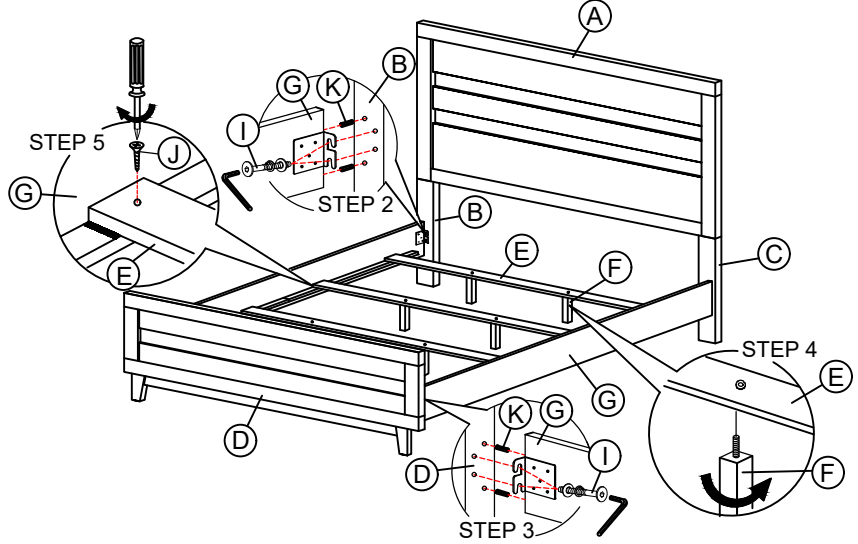
KING BED



B8280 - K - HBFB
KING BED



OPTION 1 - KING BED



OPTION 2 - CALIFORNIA KING BED

