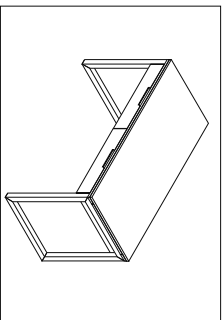


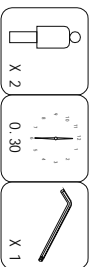


LIVING SPACES

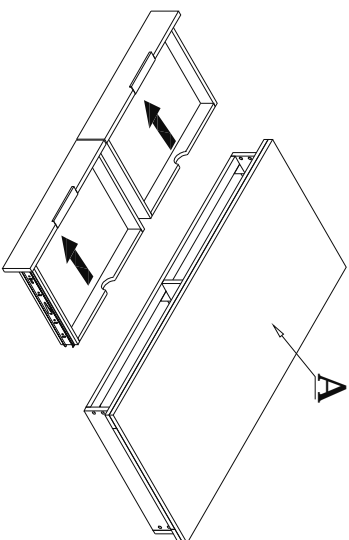
| | | | |
|---|--------------------------------------|--|------|
| A | Top Assembly | | x 1 |
| B | 3026 | | x 2 |
| C | 7002 Parts D - H | | x 1 |
| D | M1/4"-20 x 2-3/4" Allen Head Bolt | | x 4 |
| E | M1/4"-20 x 2" Allen Head Bolt | | x 14 |
| F | 1/4" Spring Washer | | x 18 |
| G | 1/4" x 16" 2mm Flat Washer | | x 18 |
| H | 4mm Allen Wrench | | x 1 |
| I | 7602 | | x 1 |



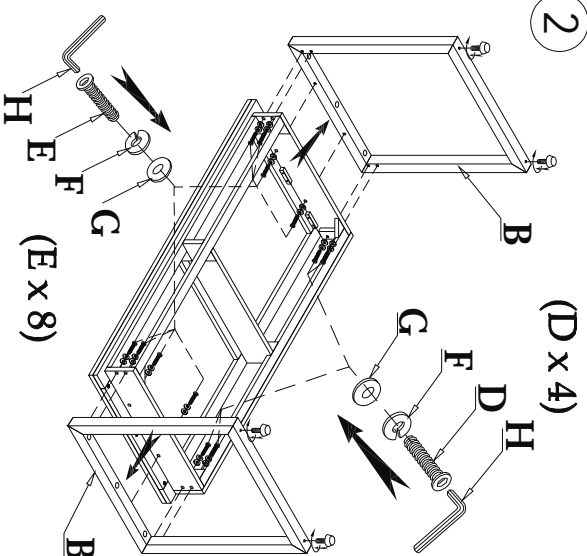
#22030
Pierce Writing Desk



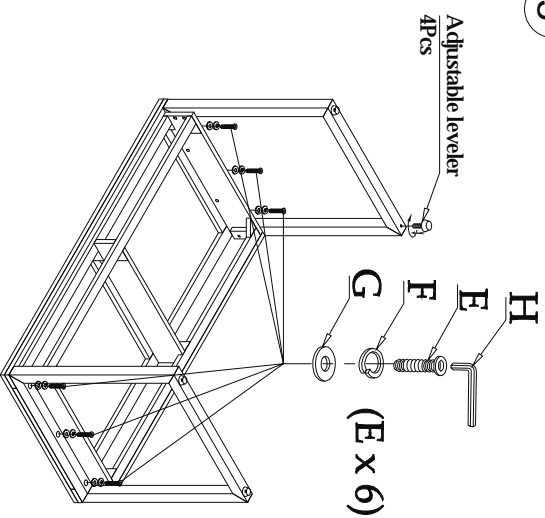
1



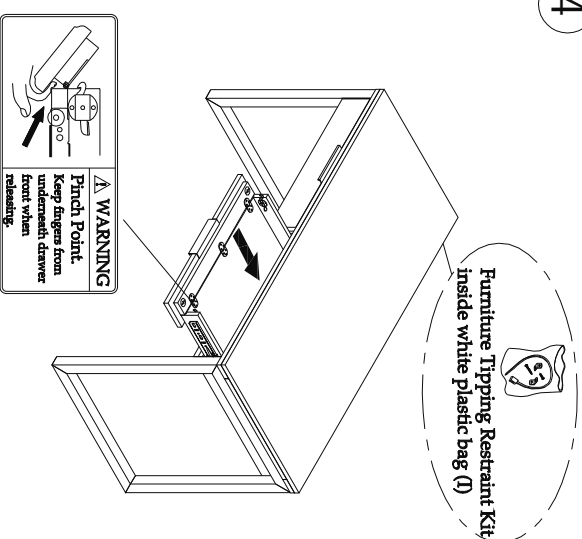
2



3



4



WARNING
Pinch Point.
Keep fingers from
underside drawer
front when
releasing.

Furniture Tipping Restraint Kit
inside white plastic bag (I)