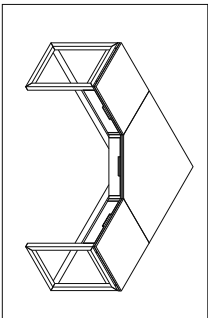




LIVING SPACES

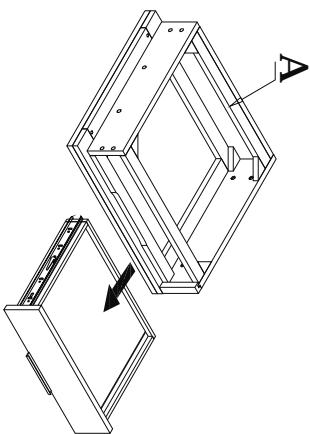
A	Top Side Frame (Left/ Right)		x 2
B	Top Center Frame		x 1
C	1202		x 1
D	1204		x 1
E	3002		x 1
F	3078		x 2
G	7002 Parts H - M		x 1
H	M1/4"-20 x 2" Allen Head Bolt		x 22
I	M1/4"-20 x 2-3/4" Allen Head Bolt		x 4
J	M1/4"-20 x 3/4" Allen Head Bolt		x 8
K	1/4" Spring Washer		x 34
L	1/4" x 16*2mm Flat Washer		x 34
M	4mm Allen Wrench		x 1
P	7628		x 4



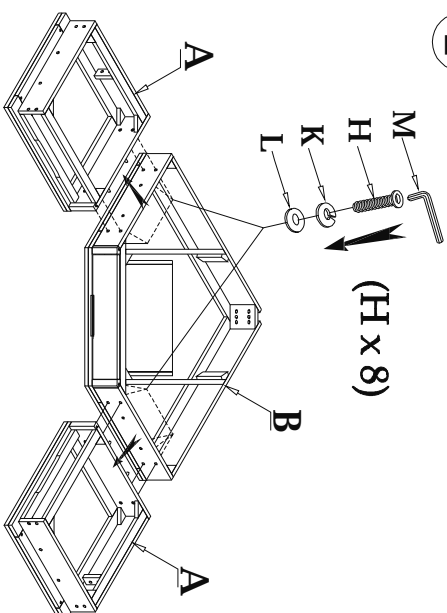
#22032
Pierce Corner Desk



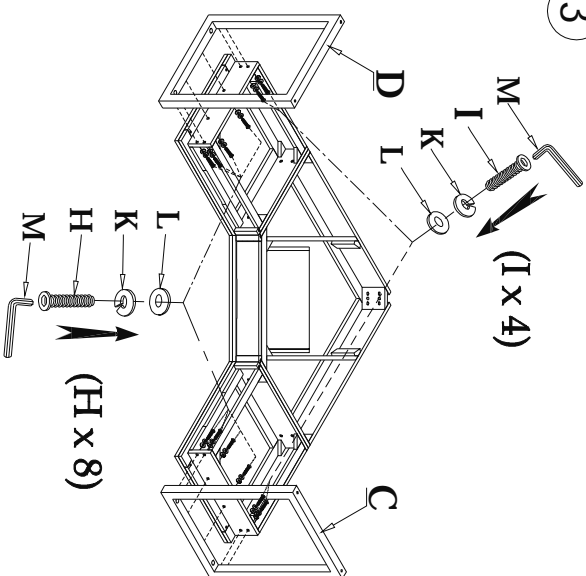
1



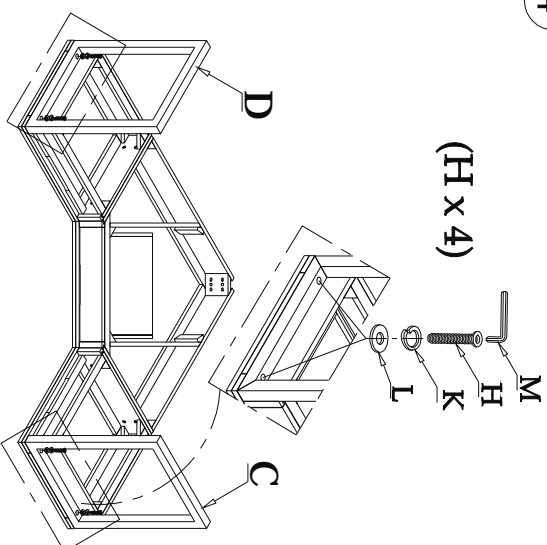
2



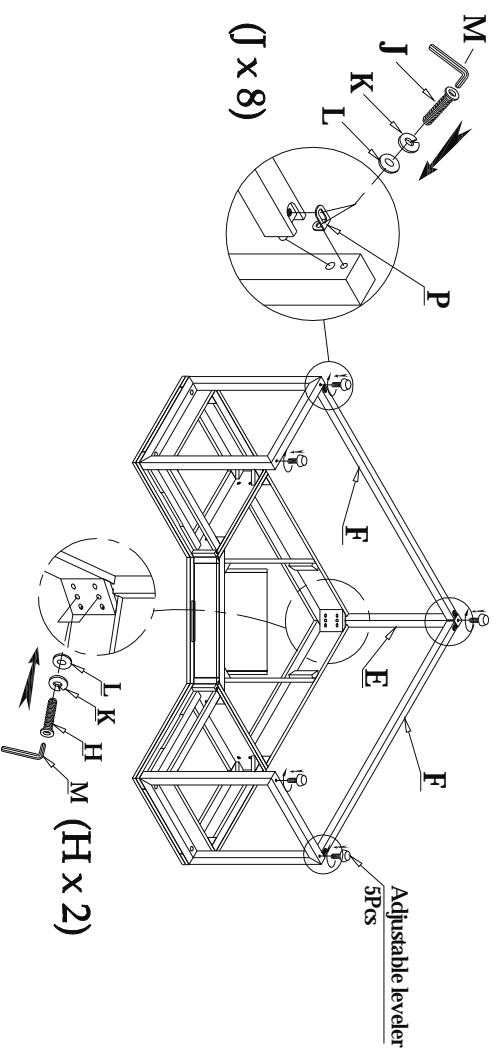
3



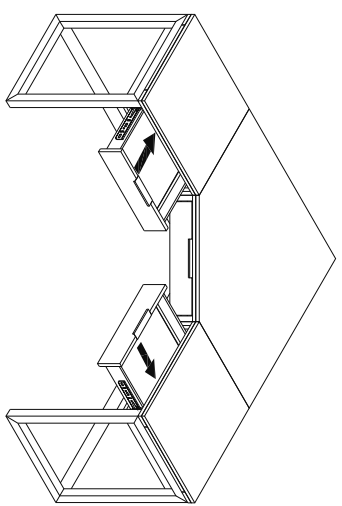
4



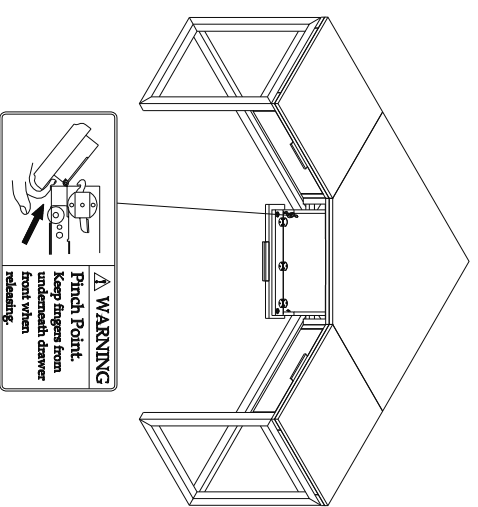
5



6



7



⚠ WARNING
 Pinch Point.
 Keep fingers from
 underneath drawer
 front when
 releasing.