

# KORO CHAISE LOUNGE

## 17L258A-W

### Assembly Instruction

**Parts List :**

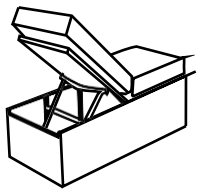
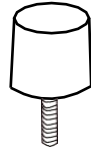
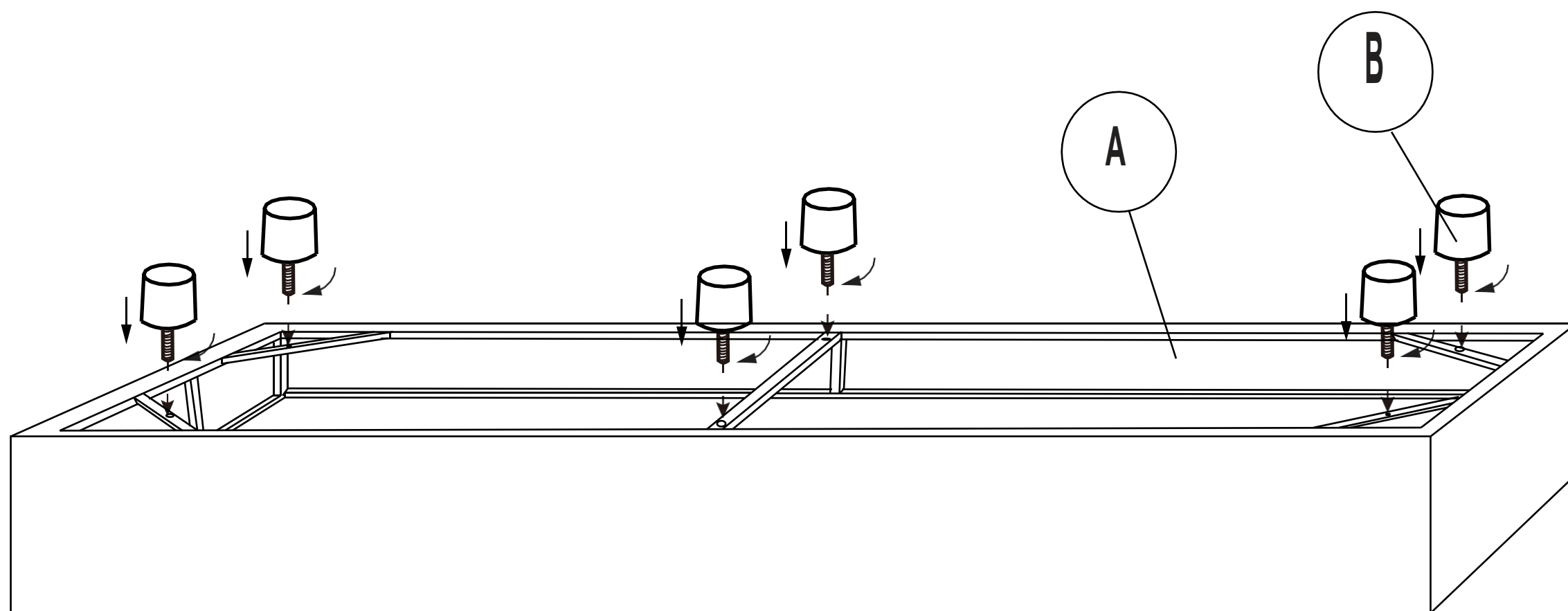
| REF | PART NAME     | PART IMAGE  | QTY | REF | PART NAME | PART IMAGE  | QTY |
|-----|---------------|---|-----|-----|-----------|---|-----|
| A   | CHAISE LOUNGE |  | 1   | B   | LEG       |  | 6   |

Diagram:



### Assembly Steps:

Step 1: Remove protective wrapping and lay all parts on floor. Make sure all parts packed in Carton against attached parts list to make sure all parts are presented.

Step 2: Place a protective soft Material on floor. Lay chaise lounge (A) upside down on floor, the bottom is facing up.

Step 3: Then attach Leg (B) to the bottom as shown in Diagram.

**NOTE: IT IS USER'S RESPONSIBILITY TO MAKE SURE ALL PARTS ARE ASSEMBLED AND TIGHTENED PROPERLY AND SECURELY.**