

# KORO ARMLESS CHAIR

## 17C258A-W-M

### Assembly Instruction

**Parts List :**

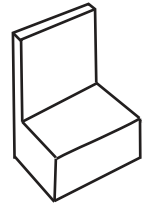
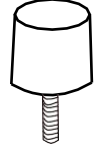
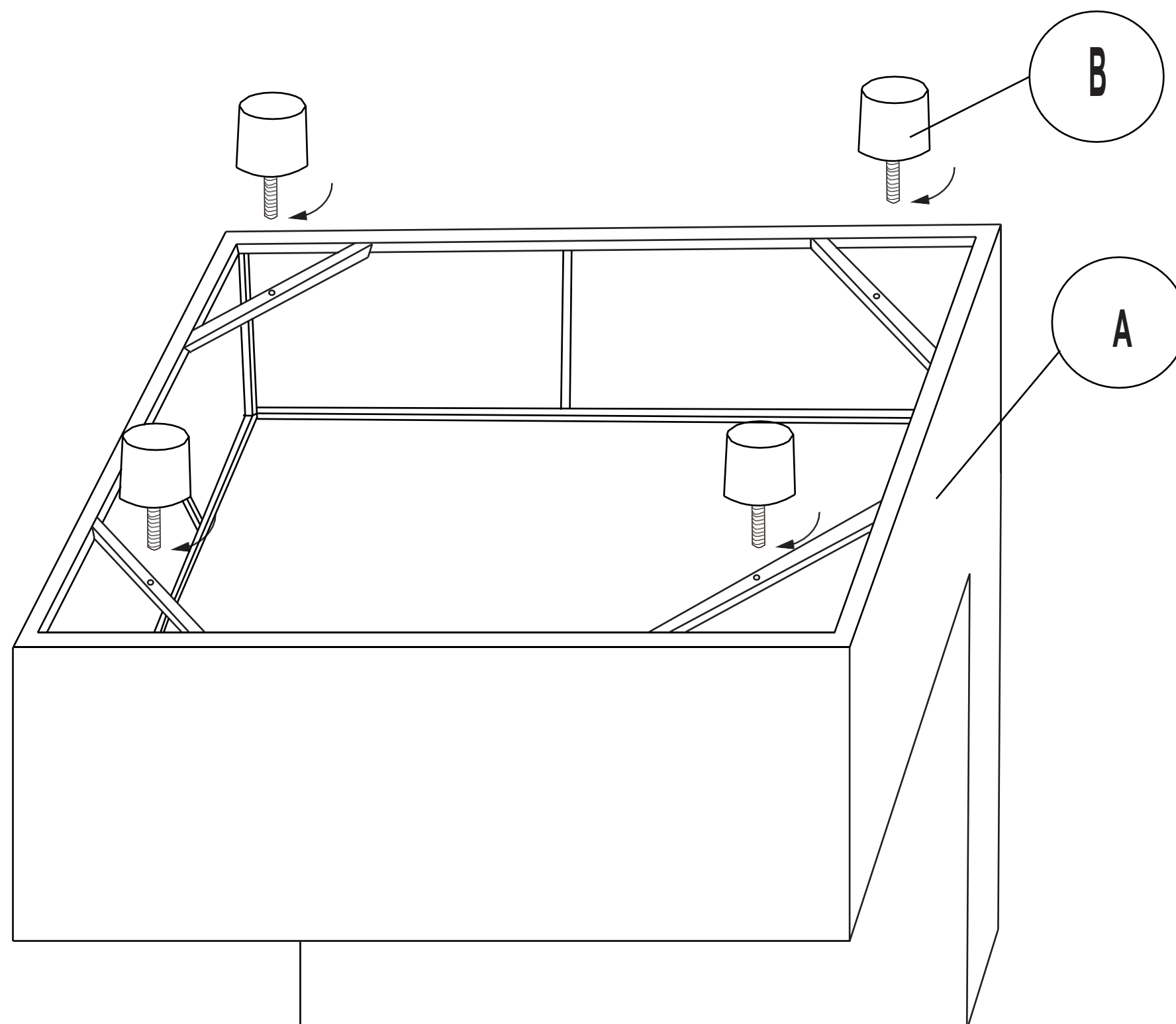
REF	PART NAME	PART IMAGE	QTY	REF	PART NAME	PART IMAGE	QTY
A	SEAT		1	B	LEG		4

Diagram:



**Assembly Steps:**

Step 1: Remove protective wrapping and lay all parts on floor. Make sure all parts packed in Carton against attached parts list to make sure all parts are presented.

Step 2: Place a protective soft Material on floor.Lay seat (A) upside down on floor, the bottom is facing up.

Step 3: Then attach Leg (B) to the bottom as shown in Diagram.

**NOTE: IT IS USER'S RESPONSIBILITY TO MAKE SURE ALLPARTS ARE ASSEMBLED AND TIGHTENED PROPERLY AND SECURELY.**