



LIVING SPACES




Assembly Instructions For


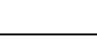

BDAVEHBPF MADISON WHITE FL HEADBOARD PANEL BED

Thank you for purchasing this quality product. Be sure to check all packing materials carefully for small parts, which may have come loose inside the carton during shipment. Identify and count all parts and compare with the **HARDWARE LIST** below.

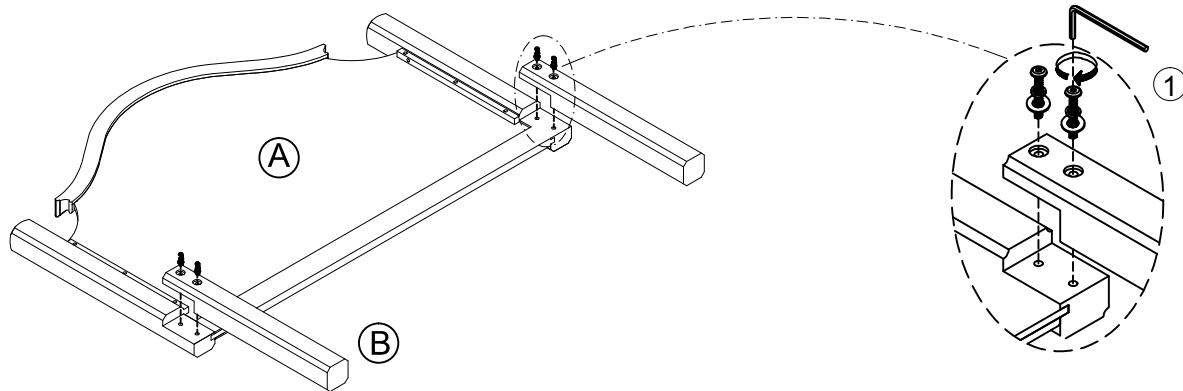
Caution : Please read instructions thoroughly before unpacking assembly parts.

1. We recommend that you should assemble this product with the assistance of another person; this will make assembly easier, and will help to eliminate damage to the product or injury to persons during assembly.
2. Please do not over tighten screws or bolts until the assembly is completed.
3. Please put all parts on a non - abrasive floor before assembly, and follow the assembly steps to assemble your newly purchased product correctly and efficiently.

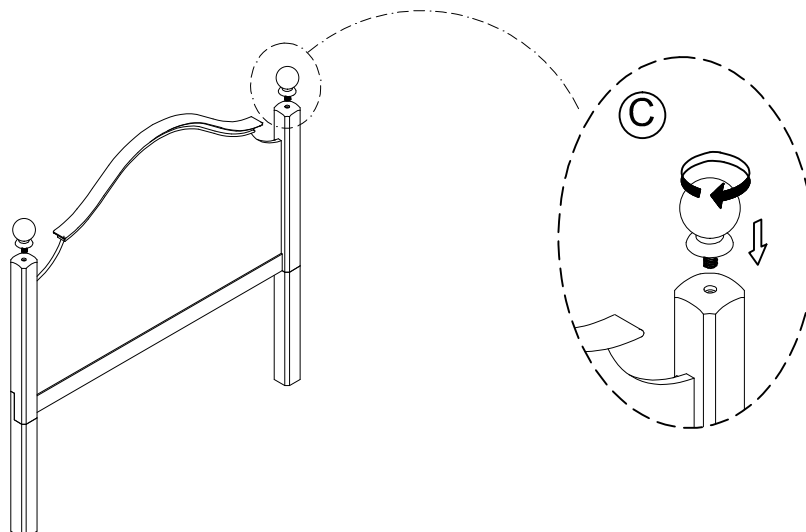
NO.	PARTS LIST		Q'TY
A		Headboard	1
B		Post Legs	2
C		Finials	2

NO.	HARDWARE LIST		Q'TY
1		Ø5/16" x 50 Flat washer Ø9" x Ø19 x 1.5	4
		Spring washer Ø9" x Ø13 x 1.5	
		Allen wrench 4mm	1

Step 1



Step 2



Made in VietNam






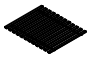
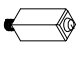
Assembly Instructions For


BDAVEFBPF MADISON WHITE FL FOOTBOARD PANEL BED

Thank you for purchasing this quality product. Be sure to check all packing materials carefully for small parts, which may have come loose inside the carton during shipment. Identify and count all parts and compare with the **HARDWARE LIST** below.

Caution : Please read instructions thoroughly before unpacking assembly parts.

1. We recommend that you should assemble this product with the assistance of another person; this will make assembly easier, and will help to eliminate damage to the product or injury to persons during assembly.
2. Please do not over tighten screws or bolts until the assembly is completed.
3. Please put all parts on a non - abrasive floor before assembly, and follow the assembly steps to assemble your newly purchased product correctly and efficiently.

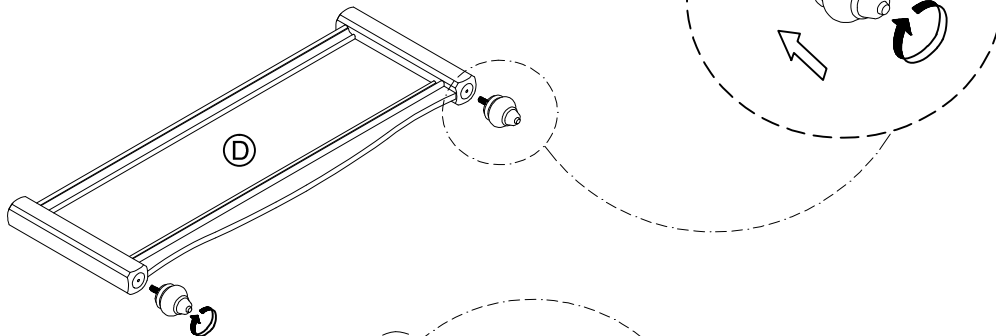
NO.	PARTS LIST		Q'TY
D		Footboard	1
E		Bun Feet	2
C		Finials	2
F		Slat Roll	1 Set
G		Support Legs	3

NO.	HARDWARE LIST		Q'TY
2		Slat Screw Ø4 x 25	6

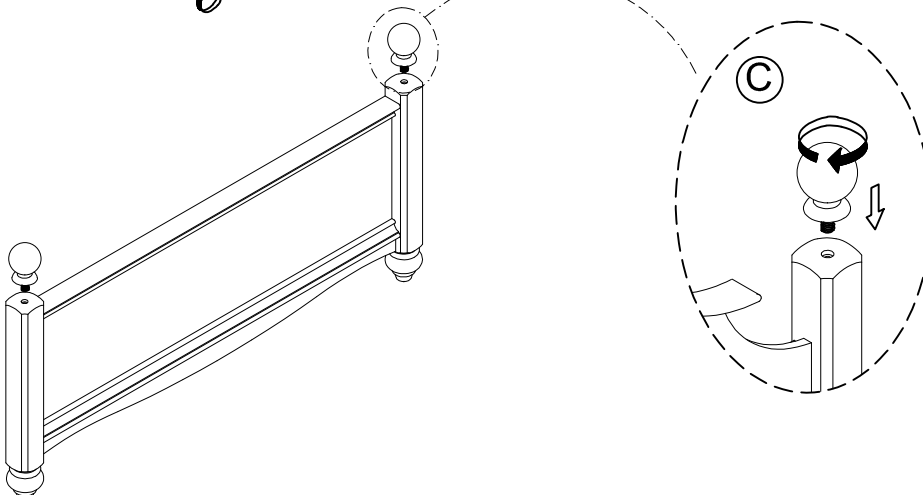
TOOLS REQUIRED (NOT PROVIDED)

PHILLIPS SCREWDRIVER 

Step 3



Step 4



Made in VietNam



LIVING SPACES


Assembly Instructions For



BDAVEHBPF MADISON WHITE FL HEADBOARD PANEL BED
 BDAVEFBPF MADISON WHITE FL FOOTBOARD PANEL BED
 BDAVERSSTF MADISON WHITE TW/FL SINGLE RAIL STR
 BDAVERSSTF MADISON WHITE TW/FL SINGLE RAIL PNL

Thank you for purchasing this quality product. Be sure to check all packing materials carefully for small parts, which may have come loose inside the carton during shipment. Identify and count all parts and compare with the HARDWARE LIST below.

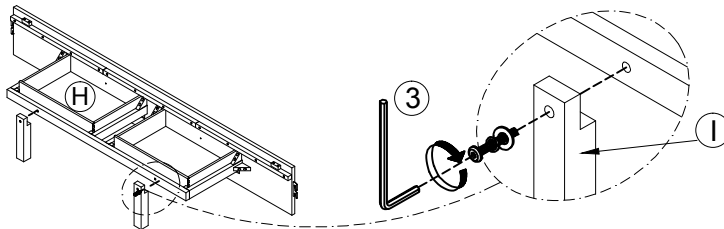
Caution : Please read instructions thoroughly before unpacking assembly parts.

1. We recommend that you should assemble this product with the assistance of another person; this will make assembly easier, and will help to eliminate damage to the product or injury to persons during assembly.
2. Please do not over tighten screws or bolts until the assembly is completed.
3. Please put all parts on a non - abrasive floor before assembly, and follow the assembly steps to assemble your newly purchased product correctly and efficiently.

NO.	PARTS LIST		Q'TY
H		Storage Rail	1
I		Support Legs	2

NO.	HARDWARE LIST		Q'TY
3		Ø5/16" x 40 Flat washer Ø9" x Ø19 x 1.5 Spring washer Ø9" x Ø13 x 1.5	2
		Allen wrench 4mm	1

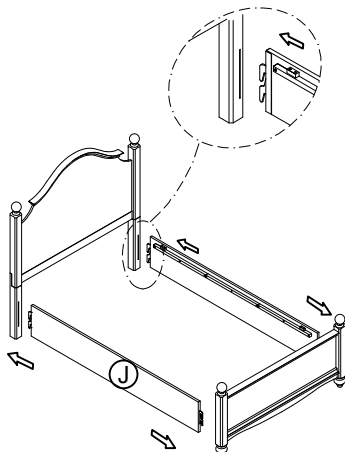
Step 5 (For Option 2 and 3 only)



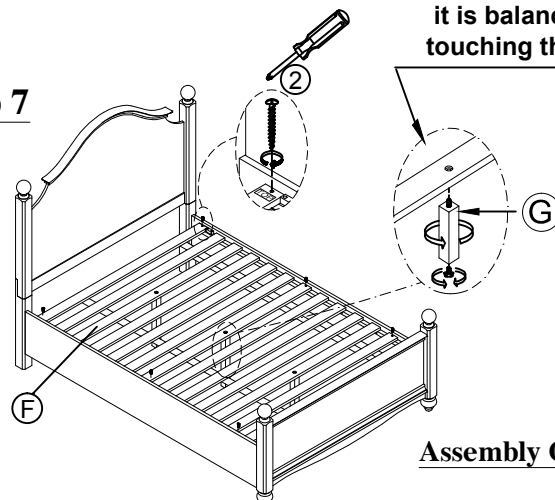
NO.	PARTS LIST		Q'TY
J		Single Rails	2

OPTION 1

Step 6



Step 7



Levelers : 3 pcs
 Adjust Levelers until
 it is balanced and
 touching the floor

Assembly Completed

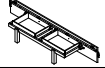

Made in VietNam



LIVING SPACES

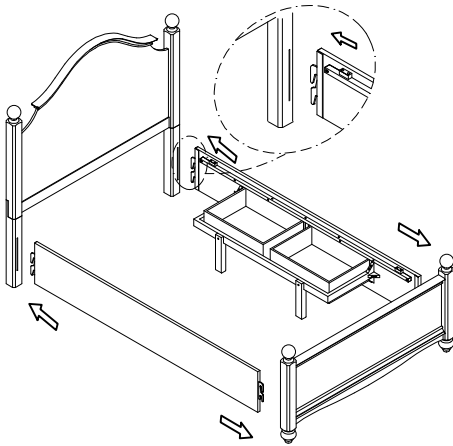
Assembly Instructions For

BDAVEHBPF MADISON WHITE FL HEADBOARD PANEL BED
 BDAVEFBPF MADISON WHITE FL FOOTBOARD PANEL BED
 BDAVERSSFT MADISON WHITE TW/FL SINGLE RAIL STR
 BDAVERSSFT MADISON WHITE TW/FL SINGLE RAIL PNL

NO.	PARTS LIST		Q'TY
H		Storage Rail	1
J		Single Rail	1

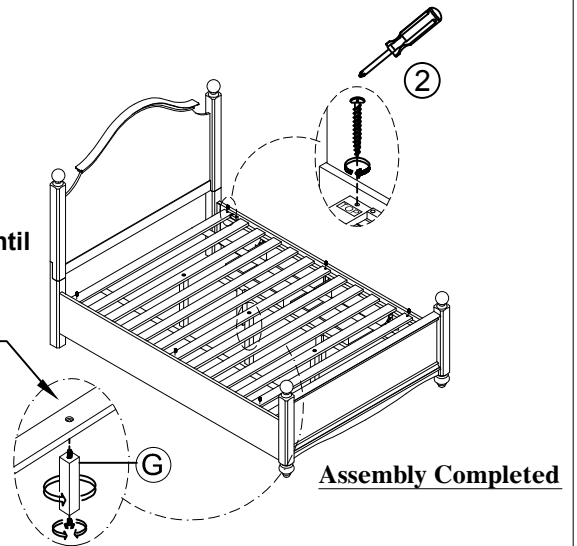
OPTION 2

Step 6



Step 7

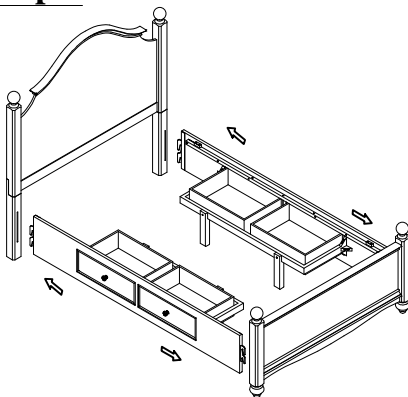
Levelers : 3 pcs
 Adjust Levelers until
 it is balanced and
 touching the floor



NO.	PARTS LIST		Q'TY
K		Storage Rails	2

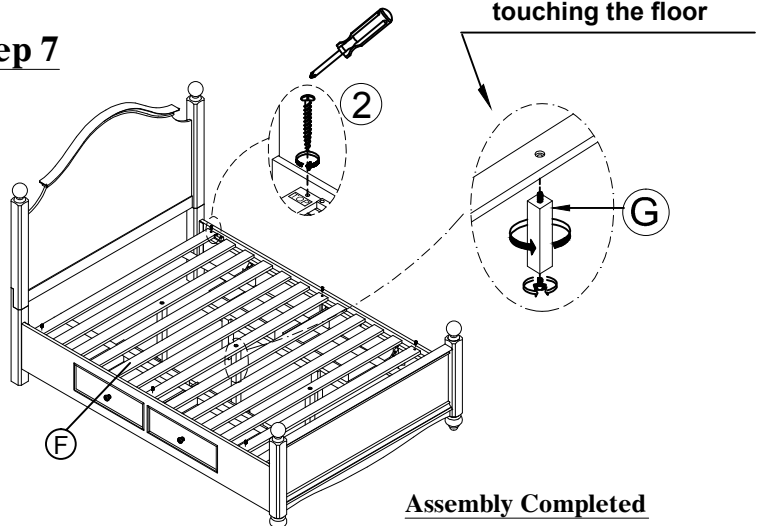
OPTION 3

Step 6



Step 7

Levelers : 3 pcs
 Adjust Levelers until
 it is balanced and
 touching the floor



Made in VietNam