



LIVING SPACES

Assembly Instruction



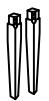
LAKELAND UPHOLSTERED SIDE CHAIR
CRLAKEUDS SKU#249591



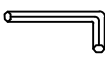
CAUTION: PLEASE READ ALL INSTRUCTION BEFORE STARTING THE ASSEMBLY OF THIS PRODUCT. THESE ARE HEAVY. IN ORDER TO PREVENT PERSONAL INJURY AND ENSURE THAT THIS PRODUCT IS NOT DAMAGED DURING THE ASSEMBLY PROCESS. IT IS STRONGLY RECOMMENDED THAT YOU ENLIST THE ASSISTANCE OF ONE OR MORE PEOPLE.

CUIDADO: FAVOR DE LEER TODAS LAS INSTRUCCIONES MANTES DE ENSAMBLAR SU PRODUCTO. ESTAS PIEZAS SON PESADAS. PARA PREVENIR HERIDAS PERSONALES Y ASEGURAR QUE SU PRODUCTO NO SEA DANADO MIENTRAS ES ANSAMBLADO, SE RECOMIENDA LA ASISTENCIA DE UNA O MAUS PERSONAS.

WARNING.....PROTECTIVE GLIDE IS PLACED UNDER LEGS OF FURNITURE TO RESIST SCRATCHES TO FLOOR SURFACE. SOME FLOOR SURFACES CAN BE EXTRA SENSITIVE TO MARKING. IF YOU ARE NOT SURE CONSULT WITH YOUR DEALER.

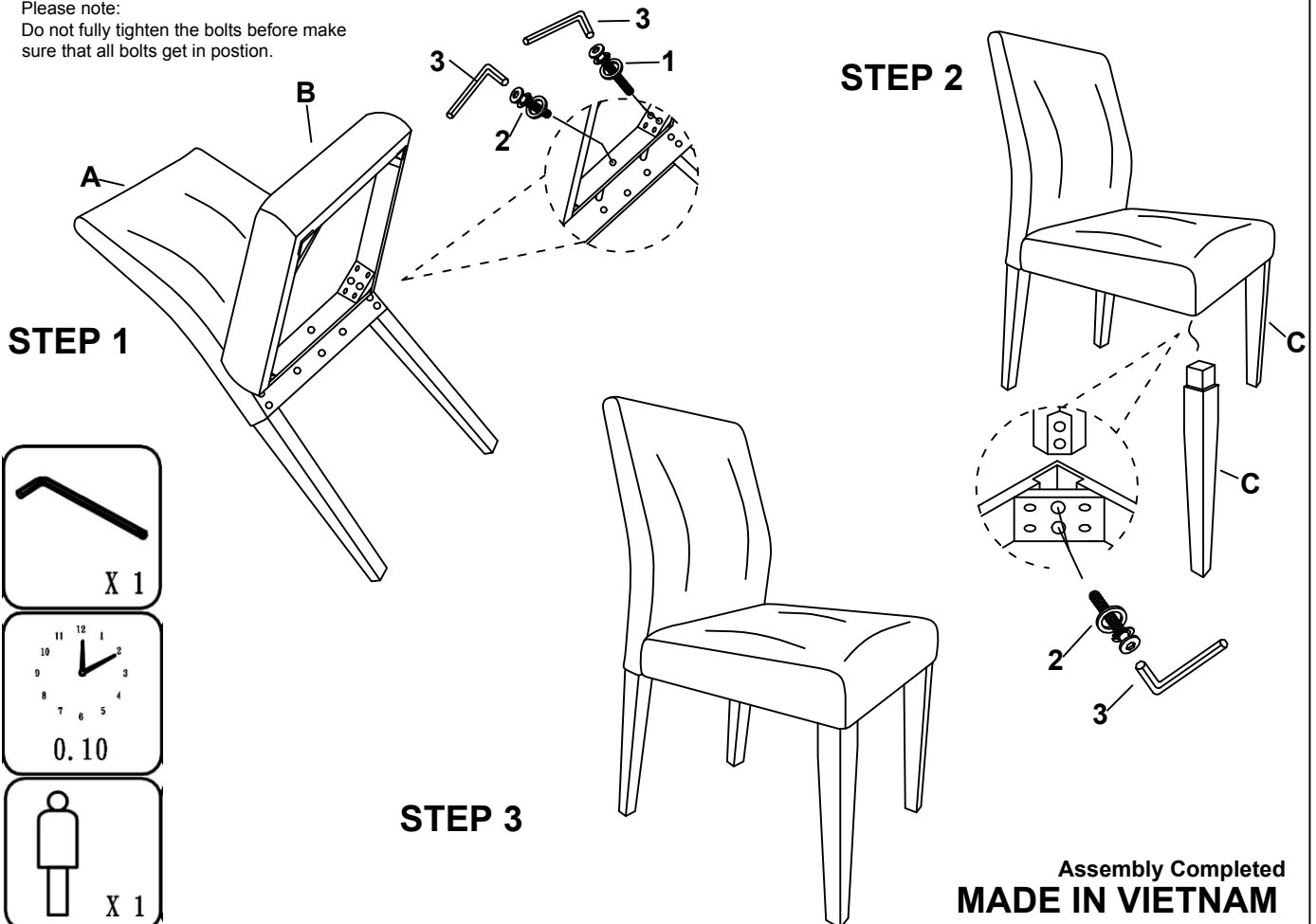
AVERTISSEMENT...LES PIEDS DES MEUBLES SONT MUNIS DE PAINTS DESTINÉS À PROTÉGER LE PLANCHER. CERTAINS REVÊTEMENTS DE SOL PEUVENT ÊTRE TRÈS FRAGILES. EN CAS DE DOUTE, CONSULTER LA MARCHAND.

NO.	Parts list		Q'TY
A		CHAIR BACK LAKE-591-A	1PC
B		SEAT CUSHION LAKE-591-B	1PC
C		CHAIR LEGS LAKE-591-C	2PCS

NO.	Hardware List		Q'TY
1		Ø 5/16" x 75mm Bolt (LAKE-591-1a)	4
		Ø 5/16" Spring washer (LAKE-591-1b)	4
		Ø 5/16" Flat washer (LAKE-591-1c)	4
2		Ø 5/16" x 50mm Bolt (LAKE-591-2a)	5
		Ø 5/16" Spring washer (LAKE-591-2b)	5
		Ø 5/16" Flat washer (LAKE-591-2c)	5
3		Allen wrench (4mm) (LAKE-591-3)	1

Please note:

Do not fully tighten the bolts before make sure that all bolts get in position.



Assembly Completed
MADE IN VIETNAM