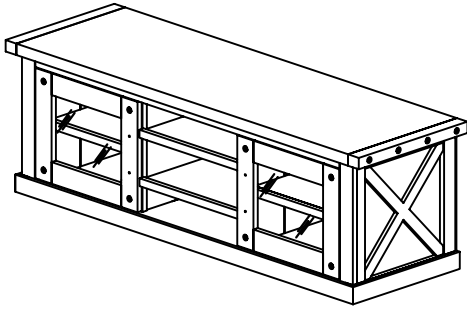


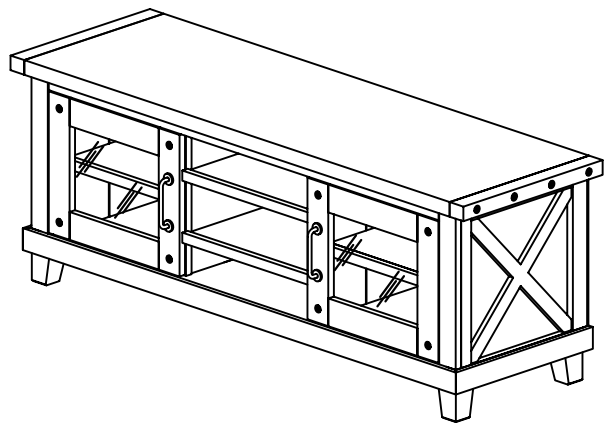
IRONSIDE ENTERTAINMENT UNIT ASSEMBLY INSTRUCTIONS

URBAN BARN

A. Entertainment Unit 1PC



**IRONSIDE ENTERTAINMENT UNIT
ASSEMBLED**





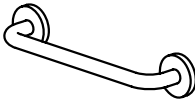


B. LEGS 4PCS



C. SUPPORT LEG 1PC

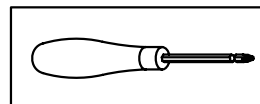


HARDWARE ARE PACKED IN BOX

1	ALLEN BOLT M6 x 50 MM	04 PCS	2	WASHER M9/22	04 PCS	3	HANDLE U128	02 PCS	4	BOLT (M4 x 30 MM)	04 PCS	5	ALLEN KEY N4	01 PC
														

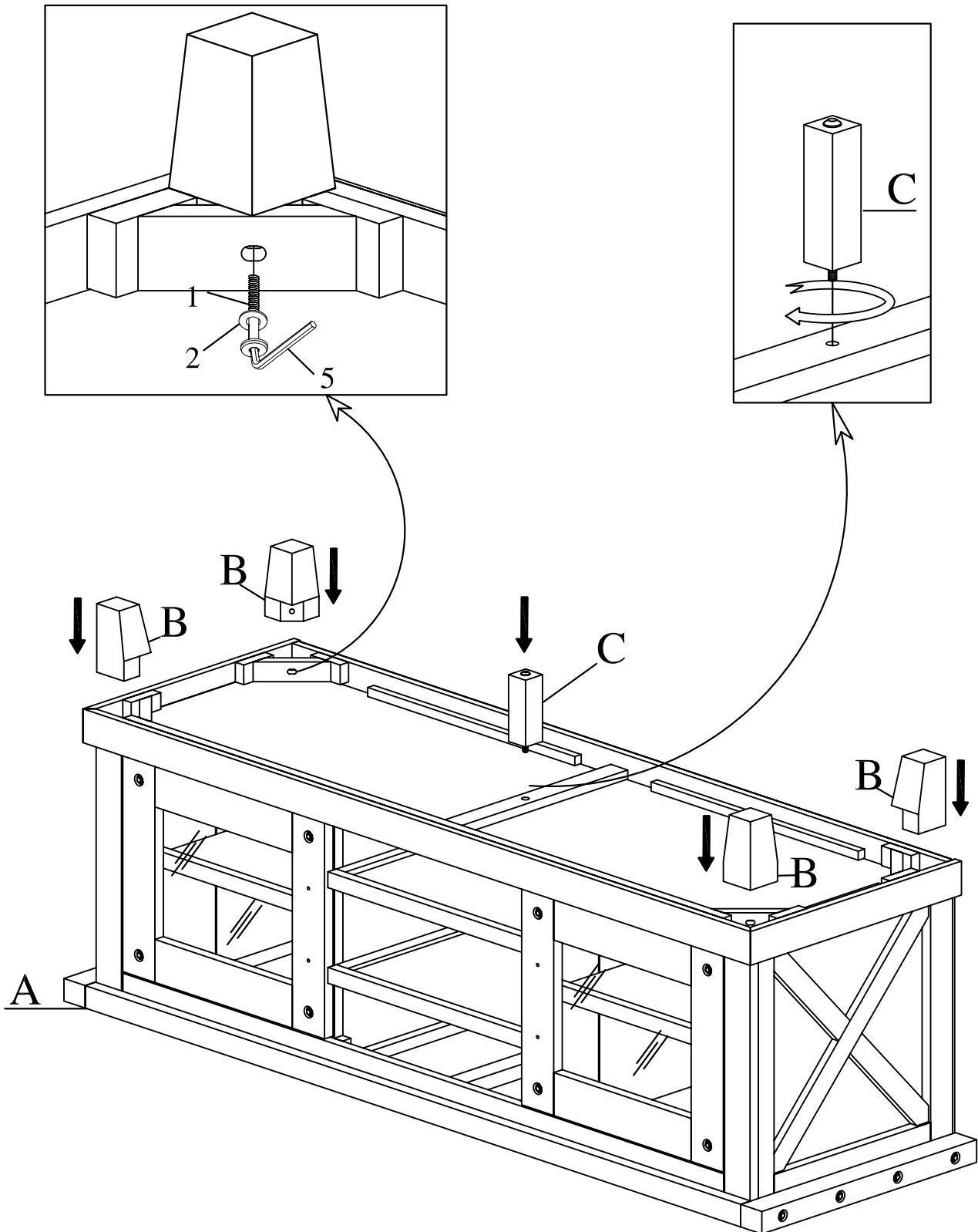
TOOL REQUIRED

PHILLIPS HEAD SCREW
DRIVER NOT PROVIDED



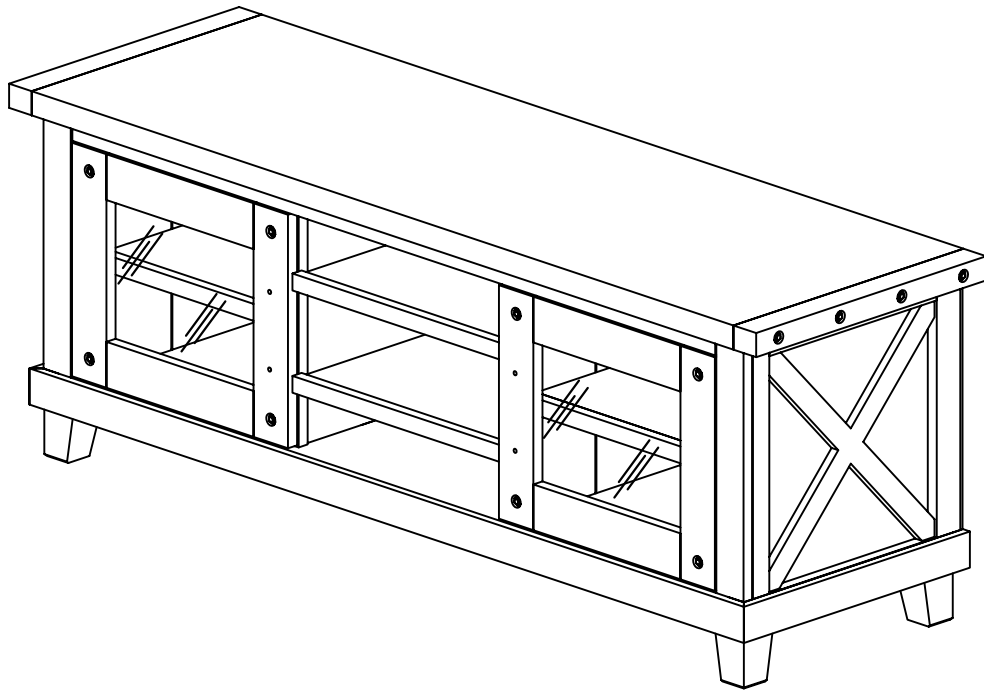
STEP 1:

ON A FLAT, LEVEL AREA LAY DOWN A CLEAN BLANKET OR TOWEL AND PLACE THE ENTERTAINMENT UNIT (A) TOPSIDE DOWN. ATTACH THE FOUR LEGS (B) TO THE UNIT USING ONE M6 X 50MM ALLEN BOLT (1) AND FLAT WASHER (2) PER LEG; A TOTAL OF FOUR BOLTS WILL BE USED. TIGHTEN THE BOLTS COMPLETELY. ATTACH THE SUPPORT LEG (C) TO THE CENTER OF THE UNIT; MAKE SURE IT IS TIGHTENED COMPLETELY.



STEP 2:

WITH THE HELP FROM ANOTHER PERSON, FLIP THE ASSEMBLED ENTERTAINMENT UNIT RIGHT SIDE UP BEFORE THE NEXT STEP.



STEP 3:

OPEN THE TWO CABINET DOORS ON THE UNIT AND ATTACH THE DOOR HANDLES (3) USING THE PROVIDED M4 X 30MM BOLTS (4).

