

7030-01275 KIT

For: 4722 Frame Rails/4401 Bed Ends

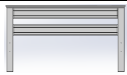



(Scan for instructional video)

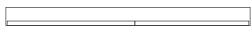



Sedona Collection: Full Contempo Bed

PARTS LIST

BOX 1: 4401 Contempo Full Ends

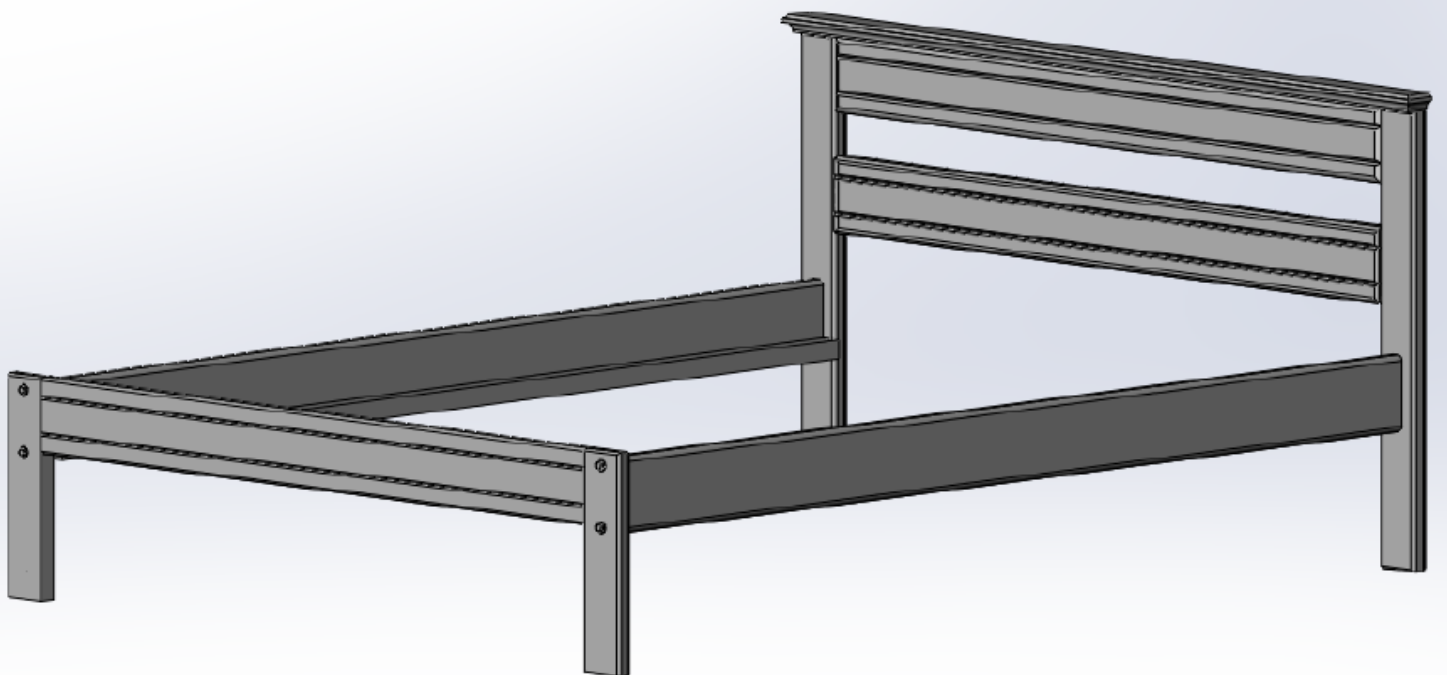
Part #	Picture	Description	Quantity
S0078END		Contempo Full Headboard	1
S0079END		Contempo Full Footboard	1

BOX 2: 4722 Contempo Full Frame

Part #	Picture	Description	Quantity
S1001SRL		5/4x6 Mattress Rail	2
140533/40		Full Individual Slats	3
5040-43181		Hex Lag Bolt/Washer	8
5040-35410		#6 x 1 1/4 Phil Flat Slats Screw	10

Make sure you have all parts before beginning assembly. If you need a part, contact Living Spaces

COMPLETED ASSEMBLY



TOOLS REQUIRED:

- 1) 7/16" Wrench or Socket Wrench
- 2) Phillips Head Screwdriver

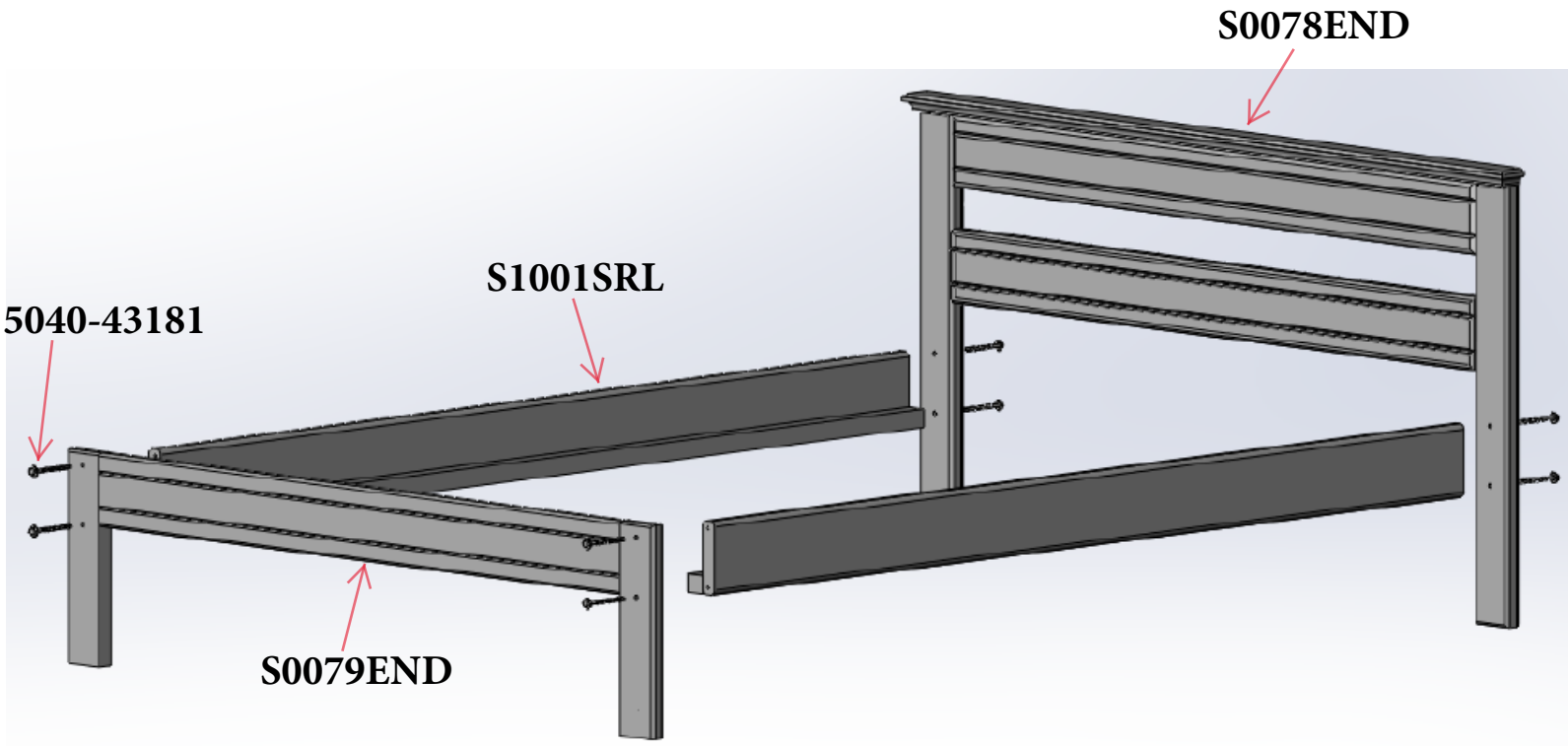
NOTE: Tool recommended: Electric driver with 7/16" socket

ASSEMBLY INSTRUCTIONS:

NOTE:

Make sure you have all parts before beginning assembly. If you need a part, contact the dealer where you purchased your bed.

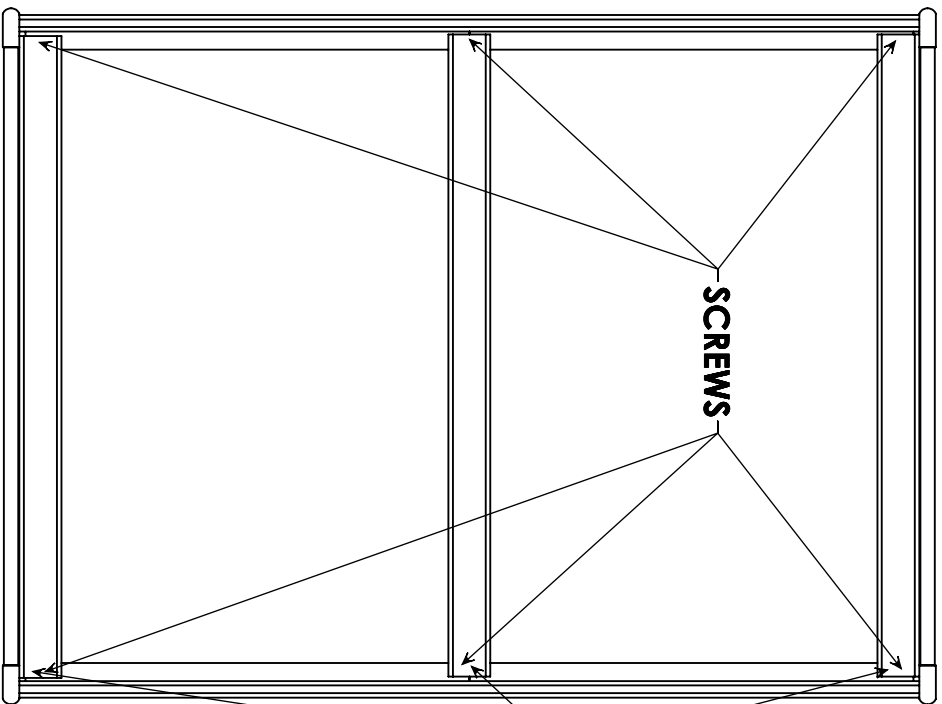
- 1) Attach two mattress rails(S1001SRL) to headboard assembly(S0078END) and footboard assembly(S0079END) with 8 lag bolts and 8 washers(5040-43181), and tighten.
- 2) Place slat kit (sold separately) and individual slats(149533/40) in accordance with the diagram on the last page of this instruction sheet. Attach the 5 designated slats to the mattress rail cleats using the #6x1 1/4" slat screws(5040-35410).



Scan Code for Instructional video



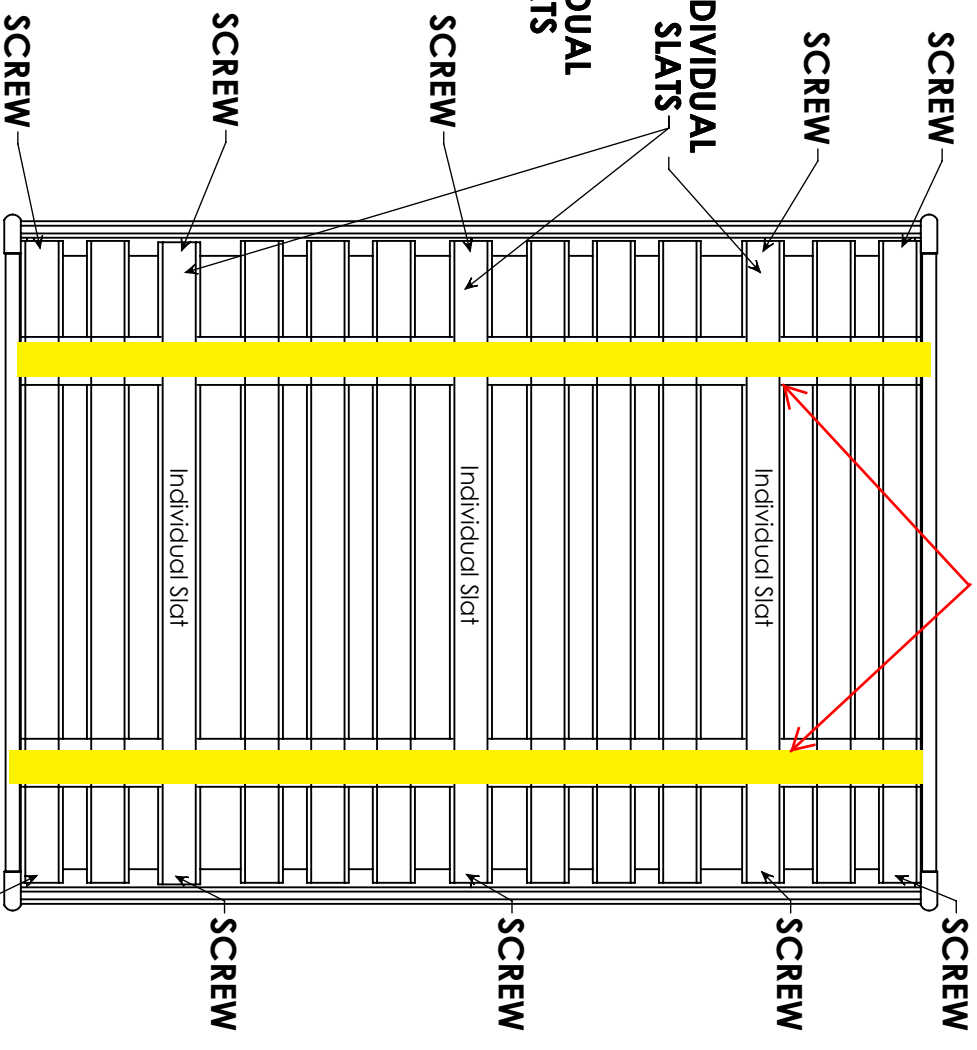
Diagram 1



Installation of individual slats for use with Bunkie Board (Bunkie Board sold separately) See your retailer for purchase of Bunkie Board

When used with a slot roll, the three individual slats should be placed evenly in the gaps and underneath the strapping before fastening.

Diagram 2



Installation of individual slats for use with Slot Roll (Slot roll sold separately) See your retailer for purchase of Slot Roll

7030-01285 KIT

4466 Trundle



Sedona Collection: Trundle



(Scan code for instructional video)

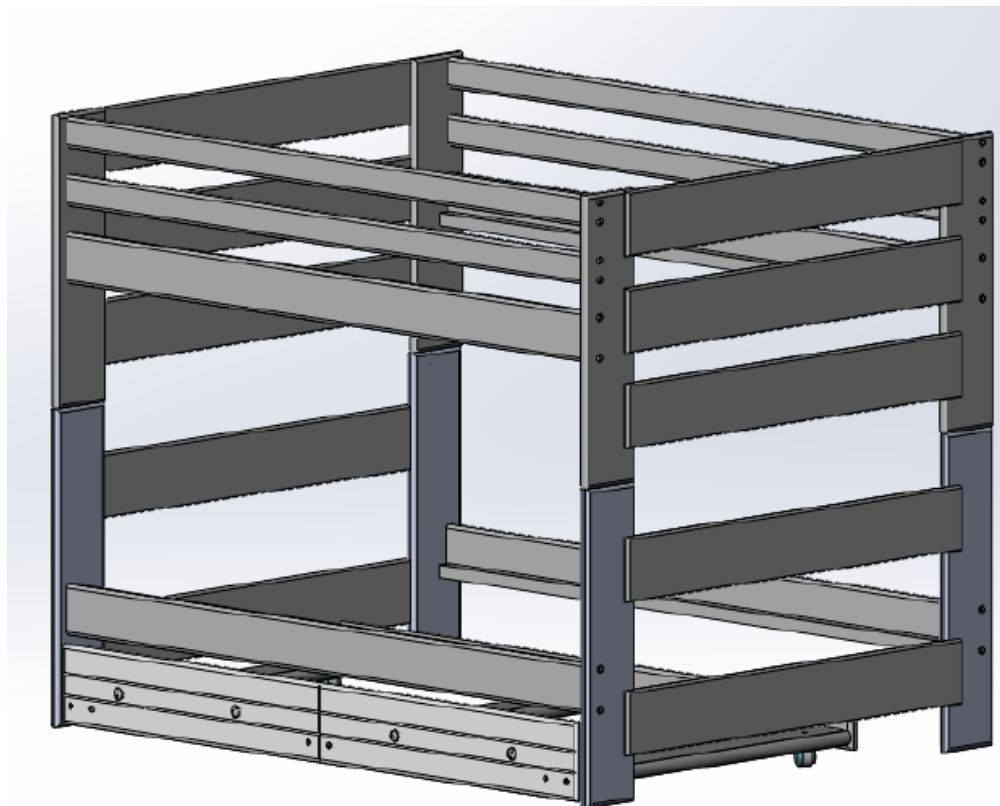
PARTS LIST

BOX 1: 4466 Sedona Trundle

Part #	Picture	Description	Quantity
4466		Sedona Trundle Assembly	1
5048-00000		Bunkie Mattress	1
5045-65303		Caster Wheel	4
5045-65301		Caster Wheel Insert	4
5043-00205		Sedona Knob	4
5040-35643		1 1/2" Combo Truss Screw	4

Make sure you have all parts before beginning assembly. If you need a part, contact Living Spaces

COMPLETED ASSEMBLY



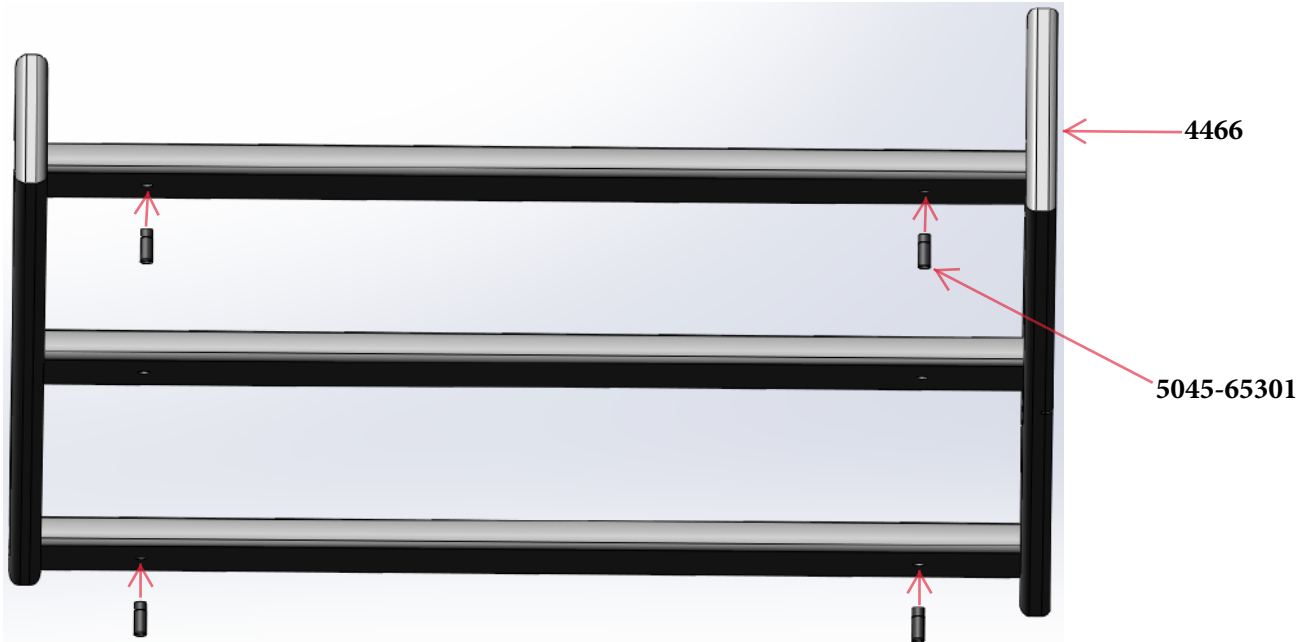
***NOTE: CASTERS HAVE INSERTS WHICH MUST BE DRIVEN FLUSH WITH THE HOLES DRILLED, BEFORE THE CASTERS ARE INSERTED. ATTEMPTING TO DRIVE THE INSERTS IN WITH THE CASTER WHEELS MAY RESULT IN DAMAGE TO THE WHEELS

TOOLS REQUIRED:

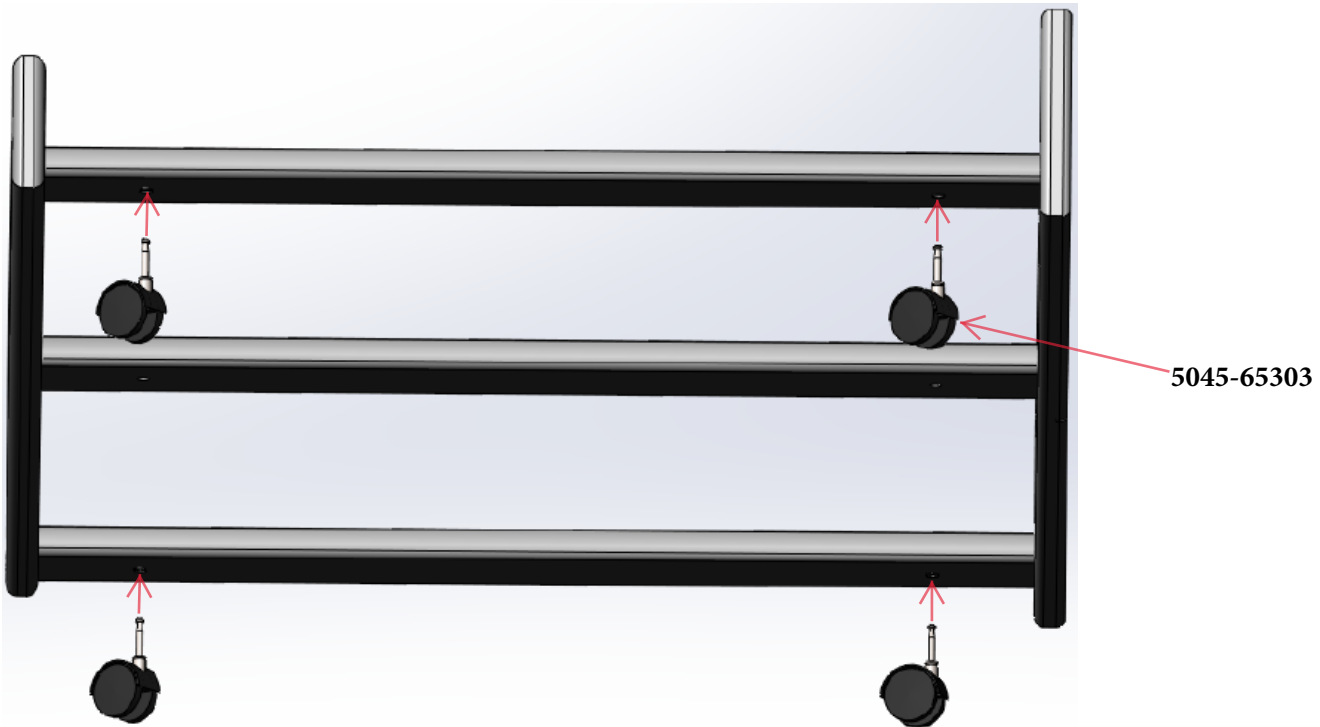
NONE

ASSEMBLY INSTRUCTIONS:

- 1) Push the 4 caster inserts into the pre-drilled holes on the bottom of the bed. Make sure the inserts sit flush with the holes and do not protrude. ****Do not attempt to complete step 1 with the caster stems attached to the caster inserts****



- 2) Once all 4 caster inserts are in place, install the caster wheels by pushing the stems of the caster wheels into the inserts and locking them into place. Assembly is complete once all 4 caster wheels have been installed.



- 3) Attach the 4 Sedona knobs (5043-00415) to the front of your trundle assembly using the pre-drilled holes and the 1 1/2" combo truss screws (5040-35643). Refer to the last page of these instructions for assistance.

- 4) Add bunkie mattress (5048-00000) and push completed trundle bed underneath the bottom bunk for storage, as shown in completed assembly drawing on the front page of these instructions.

7030-01195 KIT



(Scan code for instructional video)

Mateo/Sedona/Summit Collections: Knob and Pull Installation

1. Locate the box containing your knobs and/or pulls in the bottom drawer of your case good.
2. Identify which of the screw sizes is correct for your drawers/doors. The screw should protrude no more than 1/4" when pushed through the pre-drilled holes on your drawers/doors.
3. Push the screw through the back of the pre-drilled hole on the drawer/door and line it up with the thread on the back of the knob/pull.
4. Tighten the screw into the back of the knob/pull until the knob/pull is tight against the front of your drawer/door.

****You can tighten your screws with either a phillips screwdriver, a drill with a phillips bit, or your hand****

