

# LIVING SPACES

## OWNER'S MANUAL

JAXON CAFE QUEEN PANEL BED  
 LIVING SPACES SKU : 81484 / 81475 / 81476 / 81477  
 VENDOR ITEM NO. : 7YC9L5BHX/ 7YC9L5FB/ 7YC9L5RS



Scan QR code to view assembly video

### ASSEMBLY PARTS LIST

BOX 1 (SKU 81475) Headboard				BOX 3 (SKU 81477) Siderails - Slats			
SKU #	IMAGE	DESCRIPTION	QUANTITY	SKU #	IMAGE	DESCRIPTION	QUANTITY
81475		HEADBOARD	1	81477		SIDE RAIL	2
<b>BOX 2 (SKU 81476) Footboard</b>				7YZZL5S		SLATS	5
				7YZZBPLS		CENTER SUPPORT LEG	5
81476		FOOTBOARD	1	<b>HARDWARE KIT PACKED IN BOX 3 SKU : 7YZZBPHW</b>			
<b>FULLY ASSEMBLED</b>				7YZZBPHW-1		ALLEN BOLT (M8 X 30MM)	16
				7YZZBPHW-2		FLAT WASHER (M8)	16
				7YZZBPHW-3		ALLEN KEY	2
				7YZZBPHW-4		WOOD SCREW (4x30mm)	10

### PRE-ASSEMBLED PARTS LIST

SKU #	IMAGE	DESCRIPTION	SKU #	IMAGE	DESCRIPTION
7YZZCPFC18		FOOT CAP	7YZZBPBT		DECORATIVE NUT & BOLT
RPZZBPLBHK		SIDE RAIL BRACKET (SET OF 2)			

# LIVING SPACES

## OWNER'S MANUAL

JAXON CAFE QUEEN PANEL BED  
LIVING SPACES SKU : 81484 / 81475 / 81476 / 81477  
VENDOR ITEM NO. : 7YC9L5BHX/ 7YC9L5FB/ 7YC9L5RS

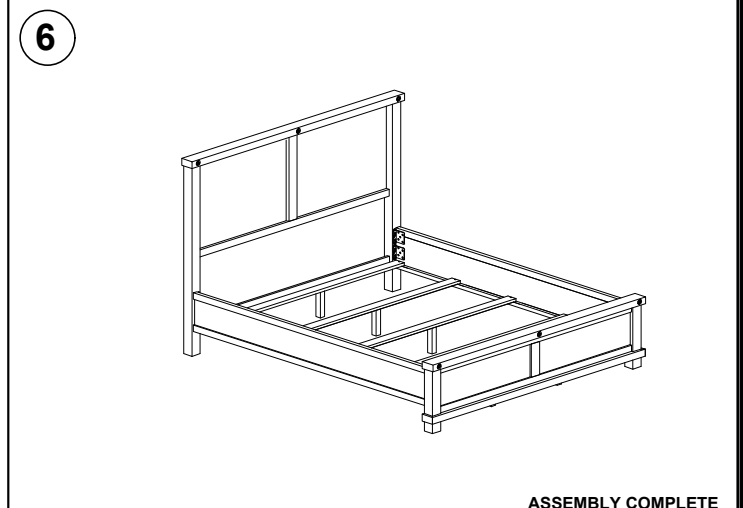
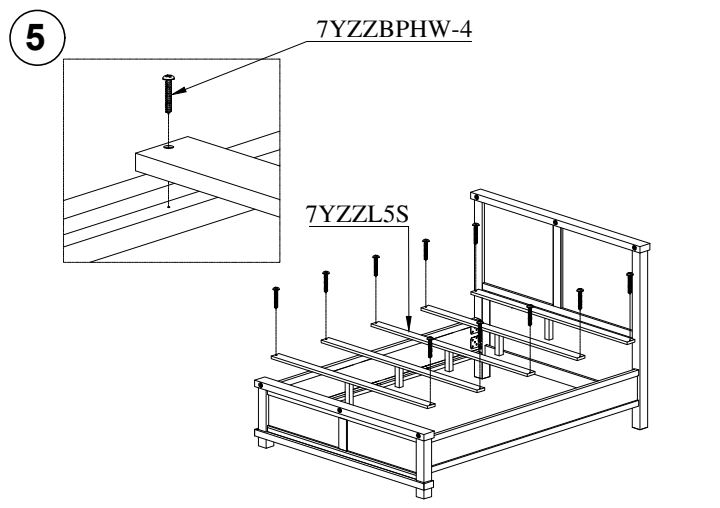
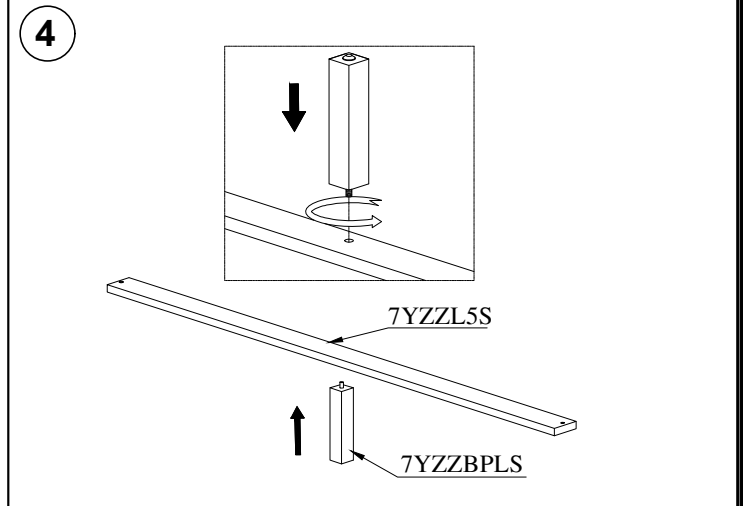
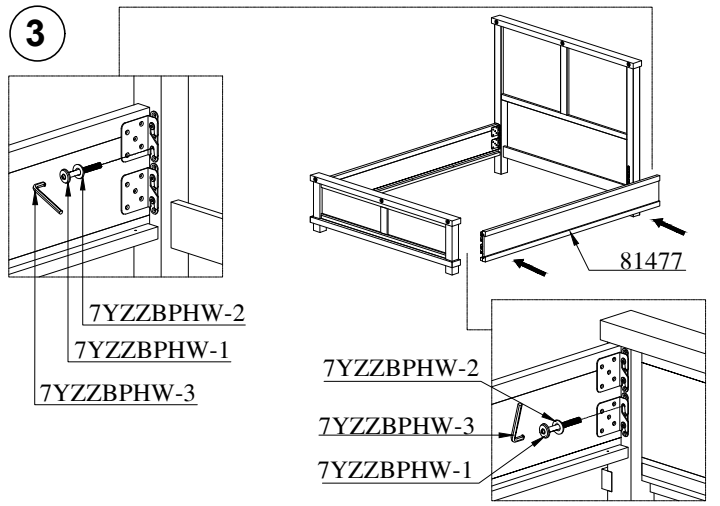
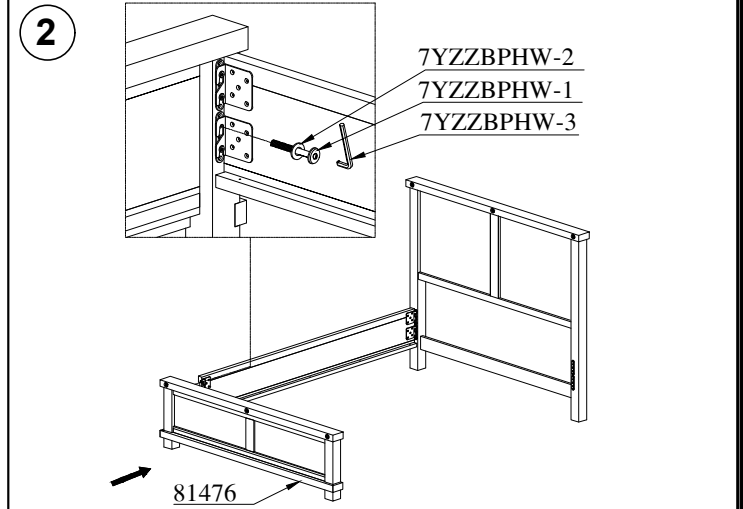
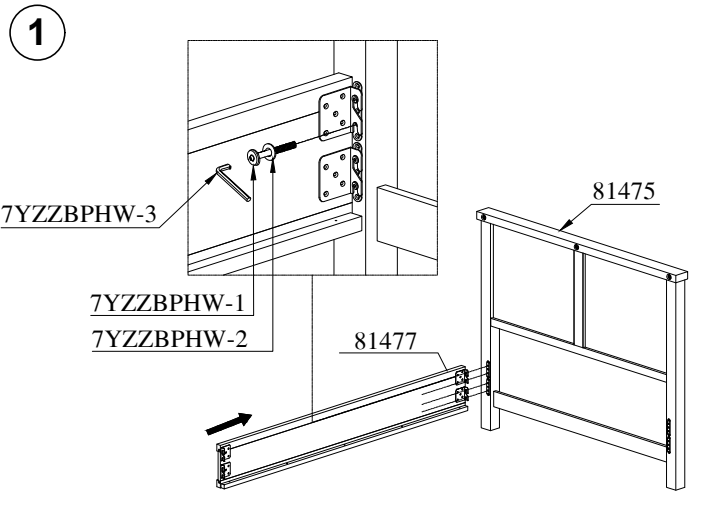


Scan QR code to view assembly video

### ASSEMBLY INSTRUCTIONS



Not provided



# LIVING SPACES

## OWNER'S MANUAL

JAXON CAFE QUEEN PANEL BED  
LIVING SPACES SKU : 81484 / 81475 / 81476 / 81477  
VENDOR ITEM NO. : 7YC9L5BHX/ 7YC9L5FB/ 7YC9L5RS



Scan QR code to view assembly video



### WARNING:

- Maximum distributed load capacity: 800 lbs.
- Standing or jumping on this product may result in damage or injury.

### ROUTINE MAINTENANCE:

Periodically check that support legs are in place and are applying equal upward pressure on the bed frame. To adjust support legs, turn levelers counterclockwise to extend, clockwise to retract.

Periodically check all fittings and tighten if necessary, as they can loosen over time.

Always remove box spring and mattress before moving the bed. Lift the bed when moving it. Dragging the bed can damage the center support. Readjust levelers after moving the bed.

### CARE AND CLEANING: SOLID WOOD FURNITURE

Congratulations on purchasing this handcrafted solid wood furniture product. Please keep in mind that wood is sensitive to changes in humidity. As the weather changes so does the relative humidity in your home and the moisture content of your solid wood furniture. We have taken every precaution to stabilize the lumber used to build this product. Still, you may observe plank movement or small cracks as the seasons change, particularly during the first 6-12 months of ownership. This is normal for solid wood furniture and will not affect the performance or longevity of this product.

Dust frequently with a clean, damp, lint-free cloth. Frequent dusting will remove abrasive build-up which can damage a finish over time. Avoid using oily polishes or waxes. Avoid exposing your furniture to strong sunlight. Prolonged exposure to direct sunlight can fade the finish of your furniture. Do not expose your furniture to any liquids. Never allow water to sit on your furniture. Do not place hot items on top of surface, always use a mat or other protector. Alcohol, nail polish and perfume are also dangerous, as they can dissolve the furniture finish on contact and may require professional repairs.