

MAS90:5043-43445		
<u>HARDWARE LIST:</u>		
BH JR LOFT HARDWARE KIT		
<u>QTY:</u>	<u>DESCRIPTION:</u>	
28	1/4 X 4 HEX LAG BLK	
28	3/16 USS FL WASHER BLK	
10	6 X 1 1/4 PHIL FLAT PARTICLE BOARD SCREW	
 <p>LAG BOLT</p>		
 <p>WASHER</p>		
 <p>PHIL FLAT PARTICLE BOARD SCREW</p>		



PARTS LIST:

- A) 28-4" Lag Bolts
- B) 28-Black Steel Washers
- C) 1 - 5 1/4" X 75" Bed Rail
- D) 2 - End Assemblies
- E) 2 - 5 1/4" x 75" Mattress Rails w/Support Cleats
- F) 4 - 3 1/4" x 75" Guard Rails
- G) 3 - 3 1/2" x 38 3/4" Mattress Supports
- H) 10-1 1/4" Wood Screws
- I) 12 - Metal Knobs
- J) 11 - 1 1/2" pan head screws (for drawers)
- K) 1 - 7/8" pan head screw (for door)
- L) 3 - 1" L-brackets
- M) 12 - 1 1/4" Pan head screw

TOOLS REQUIRED:

- 1) 7/16" Wrench or Socket Wrench
- 2) Phillips Head Screwdriver

Recommended: Electric driver with 7/16" socket

A FOUNDATION IS REQUIRED WITH 3 SLAT CONFIGURATION

Make sure you have all parts before beginning assembly. If you need a part, contact Living Spaces

- 1) Attach the one bed rail (C) to the bottom of the end assemblies (D) with 4 lag bolts and 4 washers, and tighten.
- 2) Attach two mattress rails(E) and four guard rails(F) to the top of the end assemblies with 24 lag bolts and 24 washers, and tighten.
- 3) Roll Twin Slat kit out in bed assembly stretching it from bed end to bed end. Secure with 4 wood screws on the ends of the outermost slats, one in each corner of the bed. Center 3 individual slats in the 3 gaps built into the slat kit and secure with 6 wood screws on the ends of each individual slat.
- 4) Attach knobs to all drawers, and door. Slide Storage unit under Loft bed
- 5) Slide Stairway Chest into desired position next to bed and attach with supplied L-brackets and screws.
- 6) Add mattress not to exceed 10" thick and sleep well!



00500

SAFETY WARNING

Our Bunk Beds have been tested by an Independent Laboratory and are certified to be in compliance with: ASTM F-1427, “Standard Consumer Safety Specification for Bunk Beds” and U.S. Government specifications 16 Code of Federal Regulations, parts 1213 and 1513.

SAFETY WARNINGS

1. Follow the information on the warnings attached to the upper bunk end structure and on the carton. Do not remove this label.
2. Always use the recommended size mattress or mattress support, or both, to help prevent the likelihood of entrapment or falls.
3. Surface of mattress must be at least five inches(127mm) below the upper edge of guardrails.
4. Do not allow children less than six years of age to use the upper bunk.
5. Periodically, check and ensure that the guardrail, ladder and other components are in their proper position, free from damage and that all connectors are tight.
6. Do not allow horseplay on or under the bed and prohibit jumping on the bed.
7. Prohibit more than one person on upper bunk.
8. Always use the ladder or bed end for entering and leaving the upper bunk.
9. Do not use substitute parts. Contact manufacturer or dealer for replacement parts.
10. Use of a night-light may provide added safety precautions for a child using the upper bunk.
11. If the bunk bed will be placed next to a wall, the guardrail that runs the full length of the bed should be placed against the wall to prevent entrapment between the bed and the wall. (This applies only to bunk beds without two full-length guardrails.)
12. Always use guardrails on both long sides of the upper bunk.
13. The use of water or sleep flotation mattress is prohibited.
14. Keep these instructions for future reference.

STRANGULATION HAZARD

15. Never attach or hang items to any part of the bunk bed that are not designed for use with the bed for example, but not limited to hooks, belts and jump ropes.

SIZE OF MATTRESS AND FOUNDATION

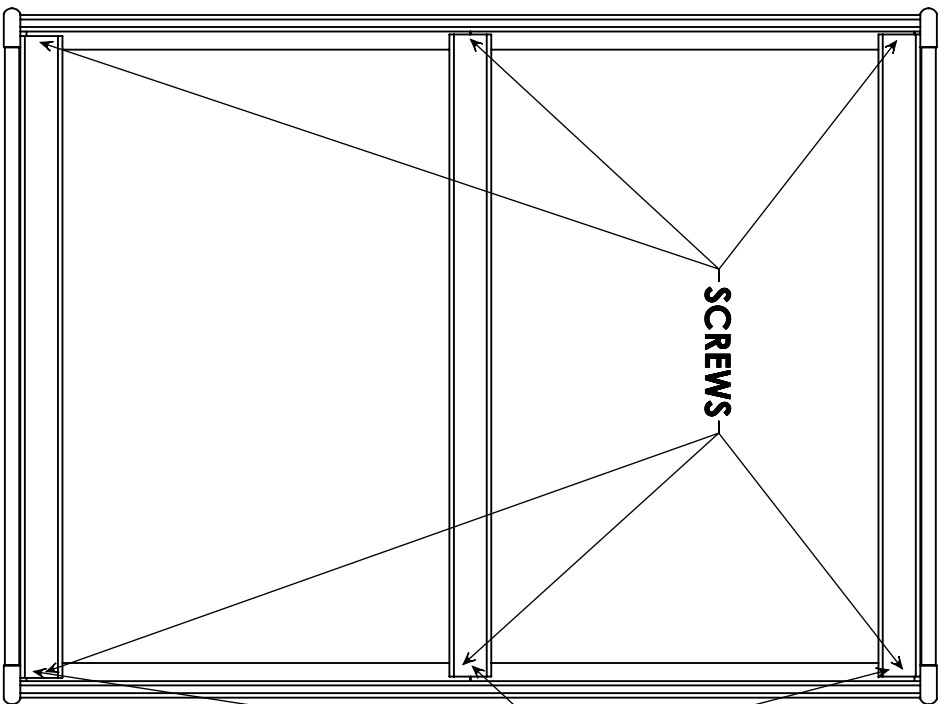
Your Twin bed is designed to use a mattress 37”-39” in width and 74” - 75” in length.

Your Full bed is designed to use a mattress 52”- 54” in width and 74” - 75” in length.

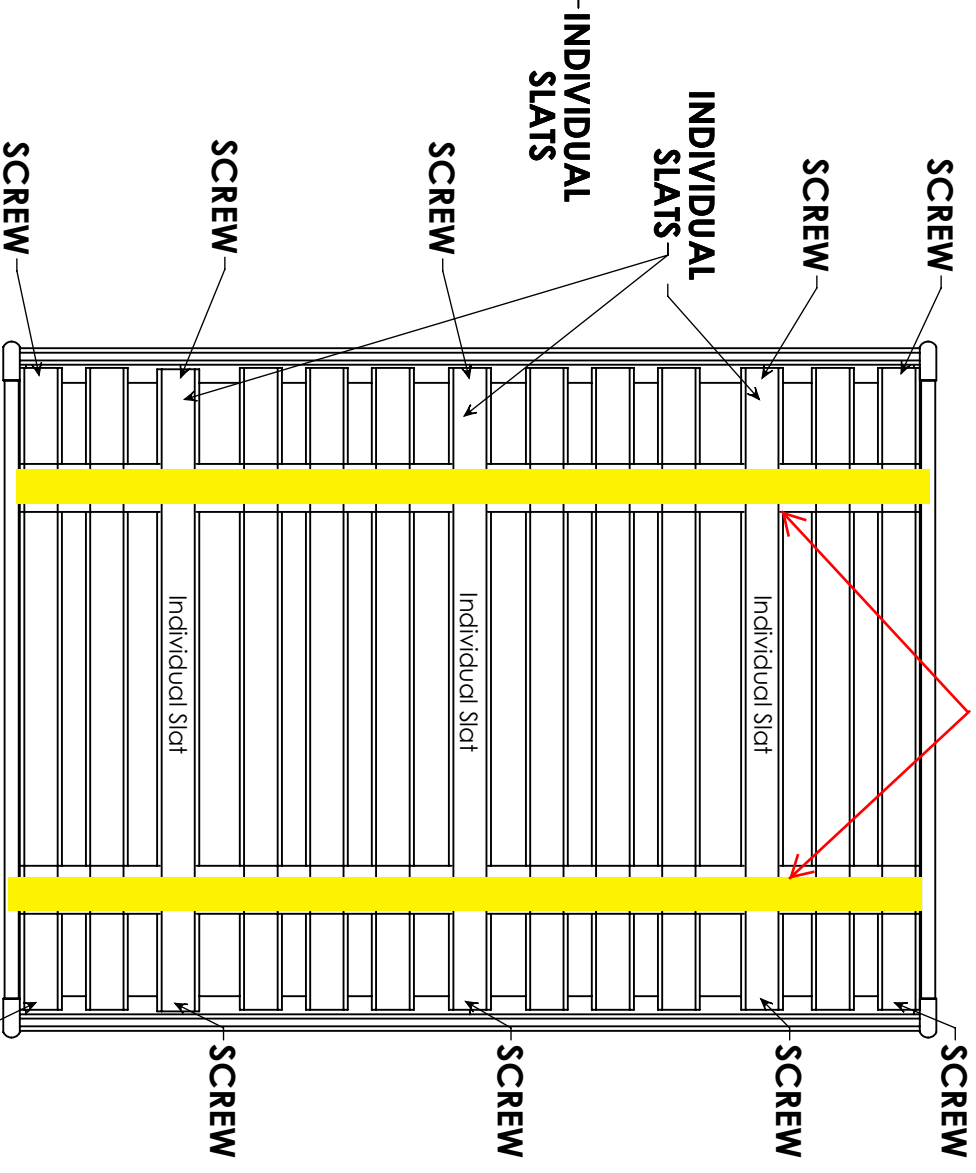
The total thickness of mattress and foundation (slat kit, bunk board, etc.) combined must not exceed **10”**.

Note: There must be at least 5” from mattress sleeping surface to top edge of guardrail.

When used with a slot roll, the three individual slats should be placed evenly in the gaps and underneath the strapping before fastening.

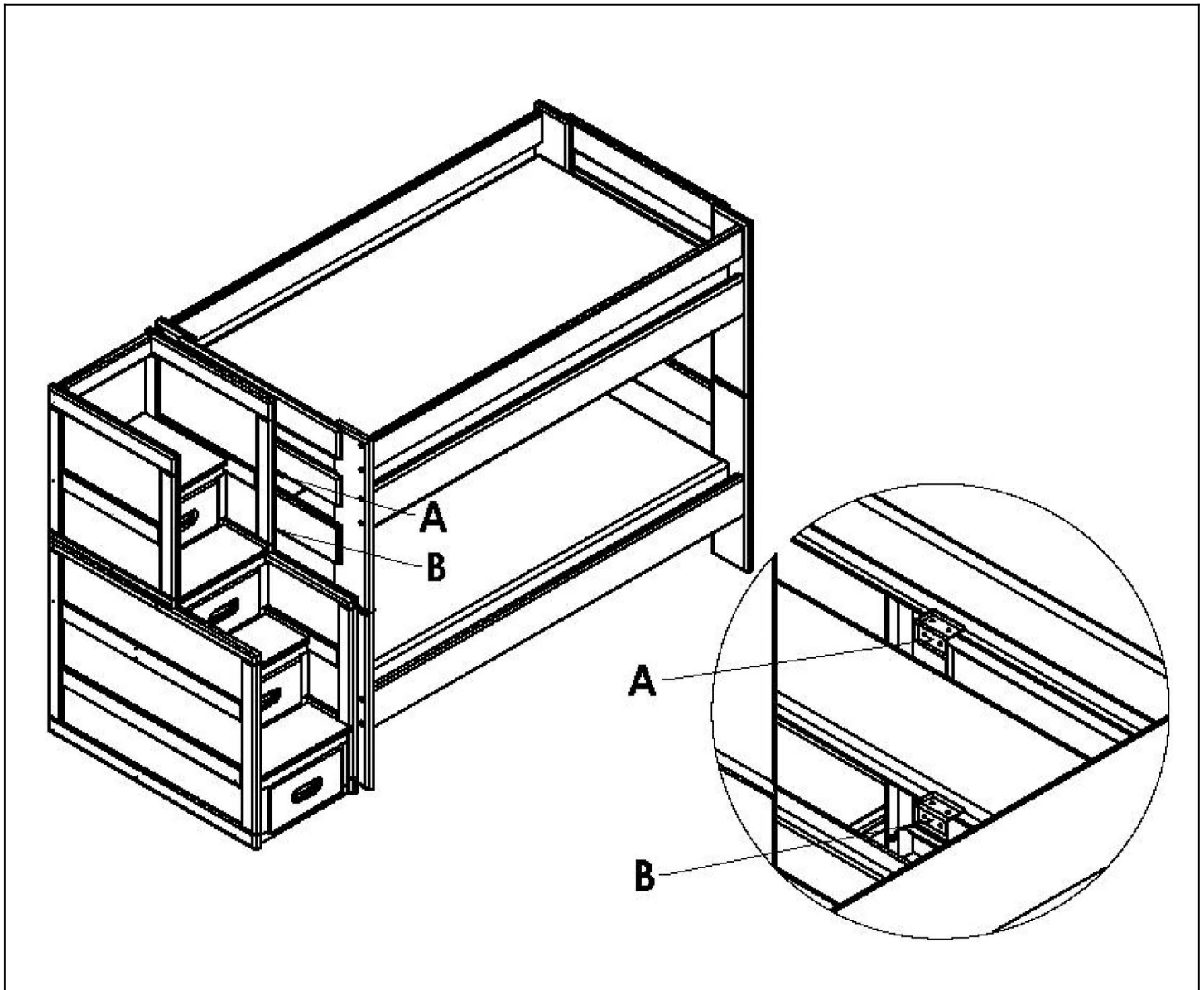


Installation of individual slats for use with Bunkie Board
(Bunkie Board sold separately)
See your retailer for purchase of Bunkie Board



Installation of individual slats for use with Slot Roll
(Slot roll sold separately)
See your retailer for purchase of Slot Roll

STAIRWAY CHEST WITH BUNK BED



The stairway chest has been designed for use as a free standing unit. However for your convenience, if you desire to attach the stairs to your bunk bed we have included four 2" angle brackets. We recommend using these to attach the top center side vertical of the stairway unit to one or two of the end cross members or side rails of the bunk depending on how you position the stairway. The illustration above demonstrates how the top center vertical might align with the end cross members of a standard Bunk Bed.

PARTS LIST:

- A) 2-2" Angle Brackets
- B) 8-1 1/4" Philips pan head screws

TOOLS REQUIRED:

- 1) Phillips Head Screwdriver