

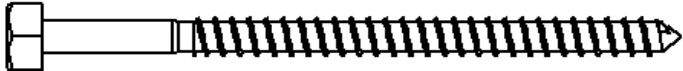




LIVING SPACES

7030-00267 KIT

<b><u>MAS90: 5043-43220</u></b>	
<b>TWIN FRAME HARDWARE</b>	
<b><u>QTY:</u></b>	<b><u>DESCRIPTION:</u></b>
8	1/4 X 4 HEX LAG BLK
8	3/16 USS FL WASHER BLK
10	6 X 1 1/4 PHIL FLAT PARTICLE BOARD SCREW

	<b>LAG BOLT</b>
	<b>WASHER</b>
	<b>PHIL FLAT PARTICLE BOARD SCREW</b>

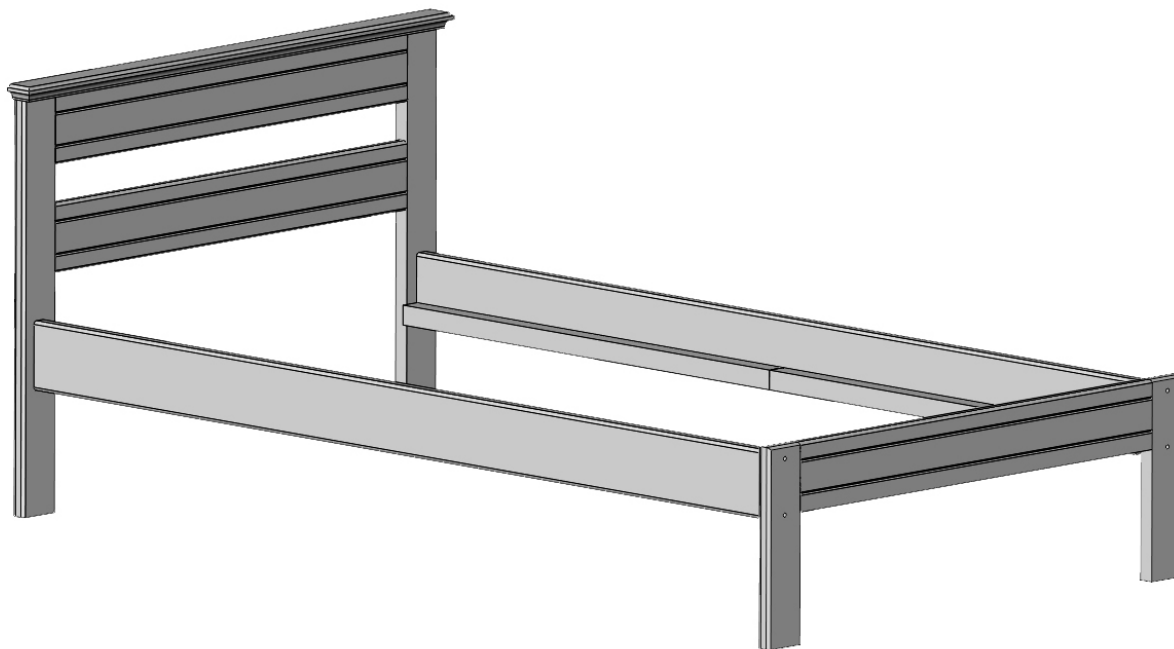
**SEDONA**  
**TWIN/FULL CONTEMPO BED**

**4717/4400**

**TWIN**

**4722/4401**

**FULL**



**PARTS LIST:**

- A) 8 -4 1/4" Lag Bolts
- B) 8 -Black Steel Washers
- C) 1 -Headboard Assembly
- D) 1 -Footboard Assembly
- E) 2 -5 1/4" x 75" Mattress Rails w/Support Cleats
- F) 3 -3 1/2" x 38 3/4"(Twin) or 53 3/4"(Full) Mattress Supports
- G) 10 -1 1/4" Wood Screws

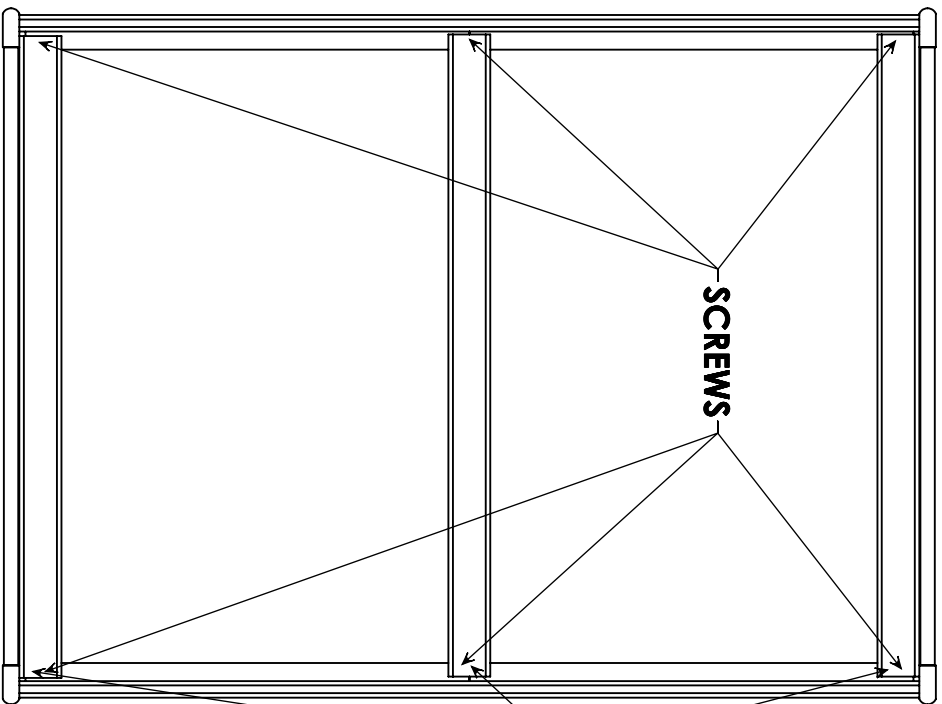
**TOOLS REQUIRED:**

- 1) 7/16" Wrench or Socket Wrench
  - 2) Phillips Head Screwdriver
- Recommended: Electric driver with 7/16" socket

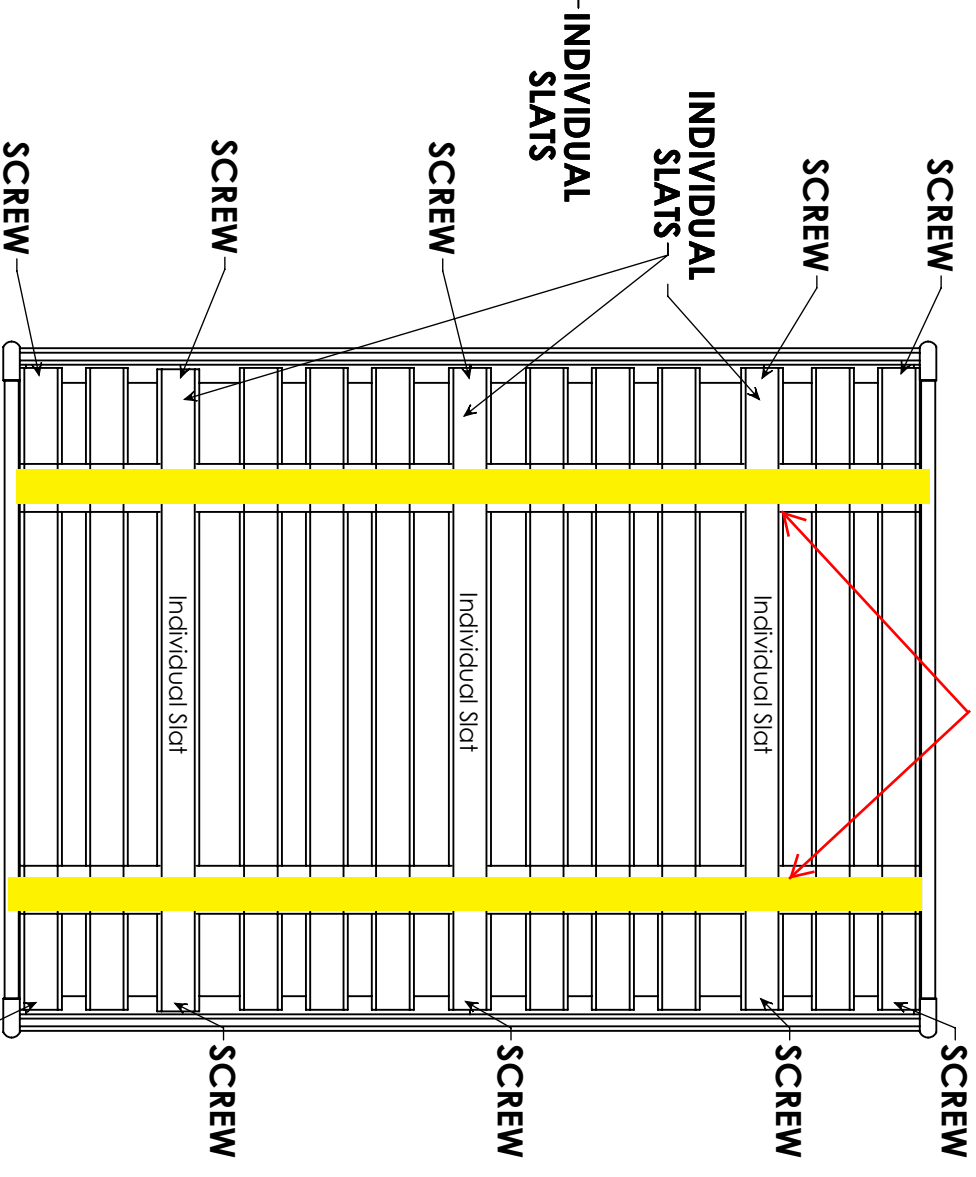
**Make sure you have all parts before beginning assembly. If you need a part, contact the dealer where you purchased your bed.**

- 1) Attach two mattress rails(E) to headboard assembly(C) and footboard assembly(D) with 8 lag bolts and 8 washers, and tighten.
- 2) Roll Slat Kit out on bed, stretching from Headboard to Footboard. Secure with 4 wood screws in ends of outermost two slats, one in each corner of the bed. Center 3 individual slats in the gaps built into the Slat kit, and secure with wood screws, one on each end of the individual slats.
- 3) Add a mattress not thicker than 7" and sleep well!

When used with a slot roll, the three individual slats should be placed evenly in the gaps and underneath the strapping before fastening.



Installation of individual slats for use with Bunkie Board  
(Bunkie Board sold separately)  
See your retailer for purchase of Bunkie Board



Installation of individual slats for use with Slot Roll  
(Slot roll sold separately)  
See your retailer for purchase of Slot Roll