




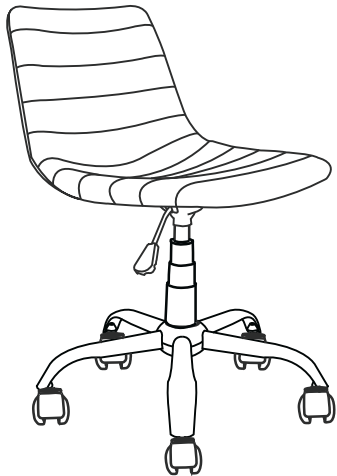




# LIVING SPACES

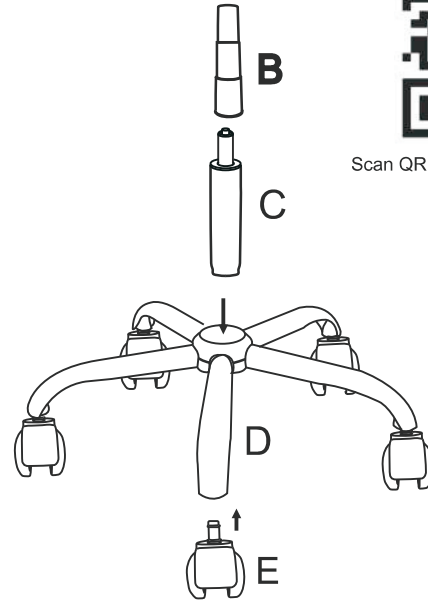
A	DM409-A		x1
B	DM409-B		x1
C	DM409-C		x1
D	DM409-D		x1
E	DM409-E		x5



DM409/322027,350060  
RHEA FAUX LEATHER OFFICE  
CHAIR

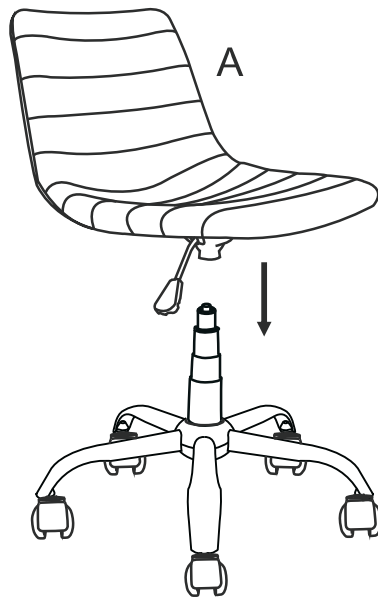


①

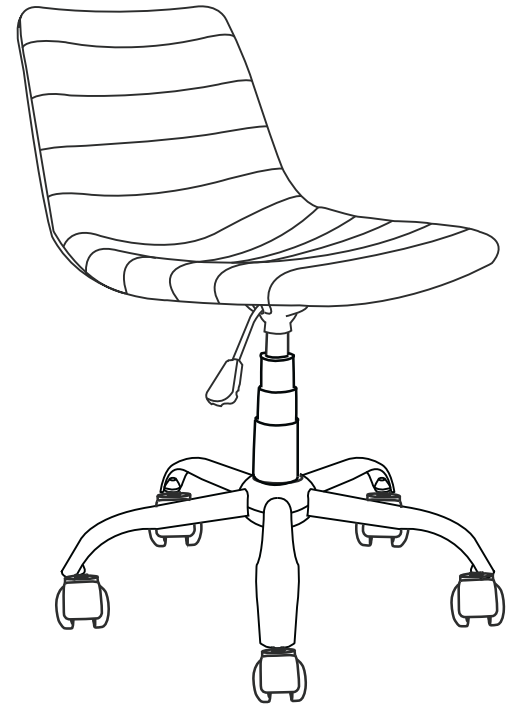


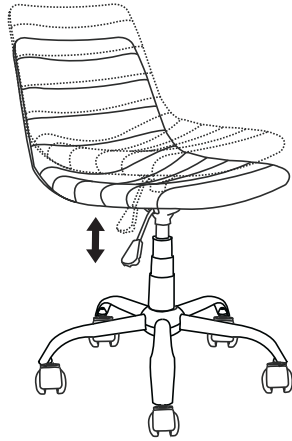
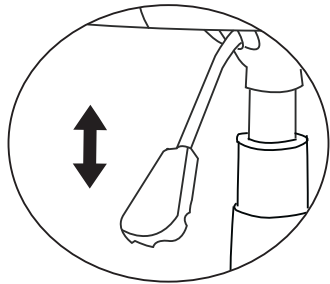
Scan QR code to view assembly video

②



③





To adjust seat height – while seated, lean forward and reach under the right side of the seat to find the adjustment handle.

To Raise:

Lift the handle and raise your body up slightly to allow the seat to rise to the desired height.

To Lower:

Lift the handle while applying body weight downward on seat. The seat will descend until the handle is released or the seat reaches the bottom position.