











LIVING SPACES

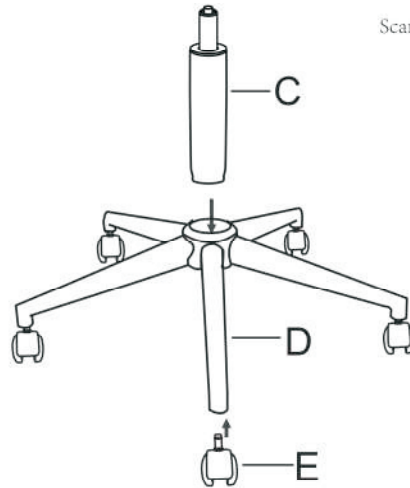
A	ML-2143MB-A	 x1
B	ML-2143MB-B	 x1
C	ML-2143MB-C	 x1
D	ML-2143MB-D	 x1
E	ML-2143MB-E	 x5
F	ML-2143MB-F	 x2 M8x16mm
G	ML-2143MB-G	 x2 M8x20mm
H	ML-2143MB-H	 x1



ML-2143MB/349985
MOBY LOW BACK OFFICE CHAIR

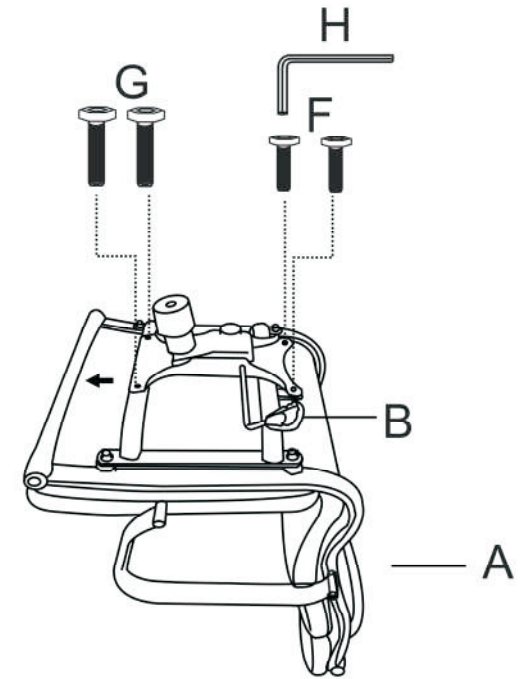


1

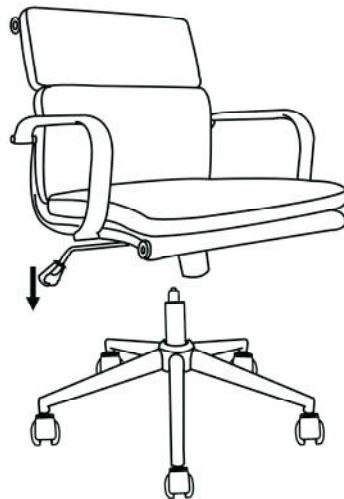


Scan QR code to view assembly video

2



3



4



5



While handle is pulled outward, tilt mechanism is unlocked and rocking motion is possible. To adjust force required during rocking:

- Turn the knob clockwise to make rocking easier.
- Turn the knob counterclockwise to make rocking more difficult.
- Adjust according to your weight or as desired.