



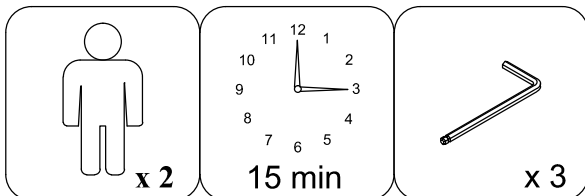
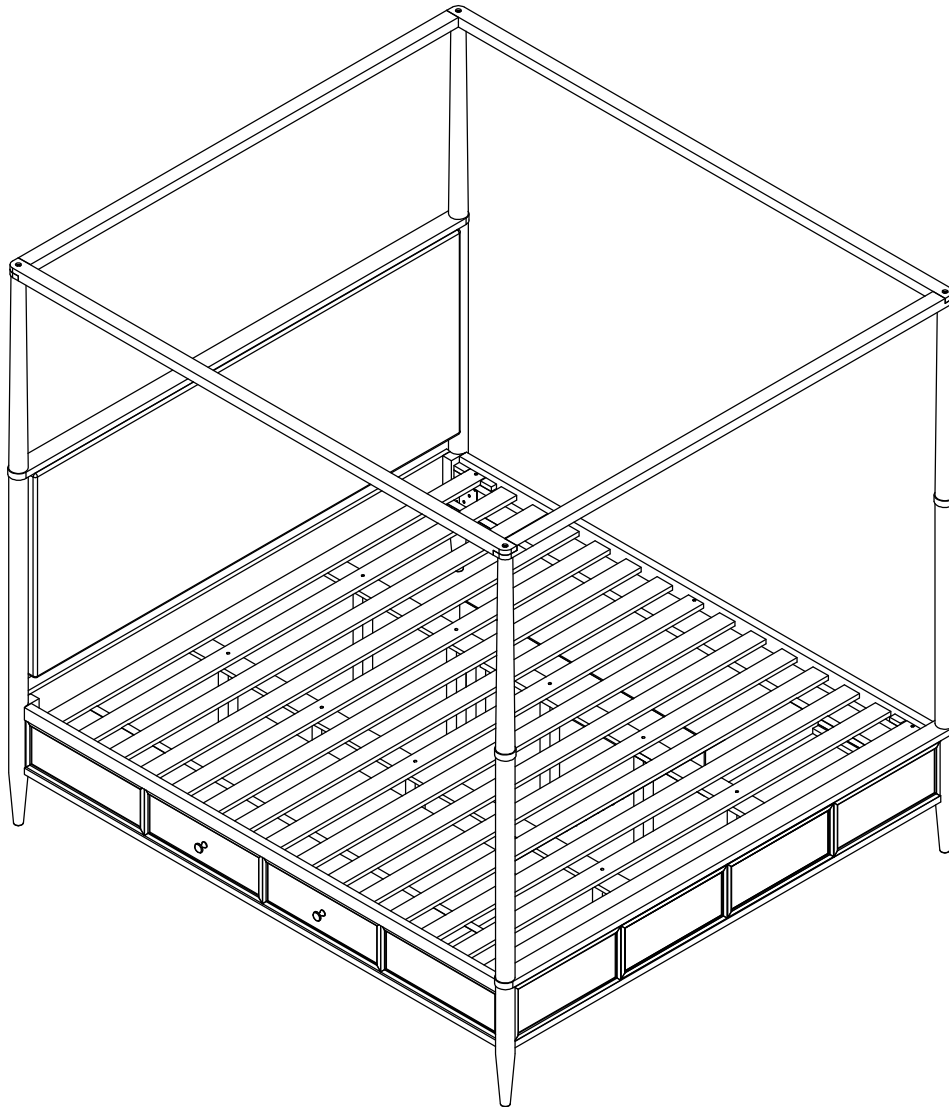
LIVING SPACES

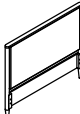

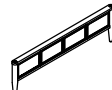
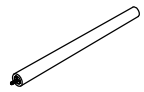
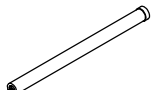
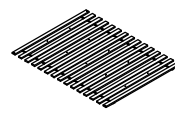
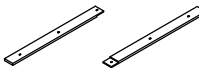
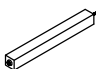
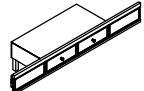
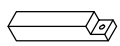


ASSEMBLY INSTRUCTIONS

AUSTEN WHITE KING CANOPY UPH BED W/ SIDE STORAGE ~~SKU~~ 346224/346225/346268/346226













AUSTEN WHITE KING CANOPY PANEL BED W/ SIDE STORAGE ~~SKU~~ 346227/346225/346268/346226

NO	COMPONENT'S SKU	QUANTITY (Cartons)
1	346224/346627	1
2	346225	1
3	346268	2
4	346226	1



PART	COMPONENT'S SKU	PART LIST Number	IMAGE	DESCRIPTION	QTY
(A)	346224/346627	346224-01 346627-01		Head Board	1
(B)		346224-02 346627-02		Head Board Posts canopy	2
(C)	346225	346225-01		Foot Board	1
(D)		346225-02		Foot Board Posts canopy	2
(E)		346225-03		Foot Board Posts canopy	2
(F)		346225-04		Slat	1set
(G)		346225-05		Middle Support Bar	4
(H)		346225-06		Support With Leveler	10
(I)	346268	346268-1		Storage Side Rail	1
(J)		346268-02		Side Rail back leg	2
(K)	346226	346226-01		Head Board/Foot Board canopy	2
(L)		346226-02		Lift/Right canopy rail	2

Hardware List

PART	COMPONENT'S SKU	Hardware List	IMAGE	DESCRIPTION	QTY
①	346225	346225-A01		Screw #8* 30mm	6
②	346268	346268-A01		Bolts 1/4" * 38mm	2
③		346268-A02		Spring Washer 1/4"*11mm	2
④		346268-A03		Flat Washer 1/4" *19mm	2
⑤		346268-A04		Bolts 5/16" * 25mm	4
⑥		346268-A05		Spring Washer 5/16" Dia	4
⑦		346268-A06		Flat Washer 5/16" * Dia	4
⑧		346268-A07		Allen key	1
⑨		346226	346226-A01		Bolts 5/16" * 60mm
⑩	346226-A02			Spring Washer 5/16" Dia	4
⑪	346226-A03			Flat Washer 5/16" * Dia	4
⑫	346226-A04			Allen key	1

THE HAEDWARE IS LOCATED IN THE PACKING ITEM

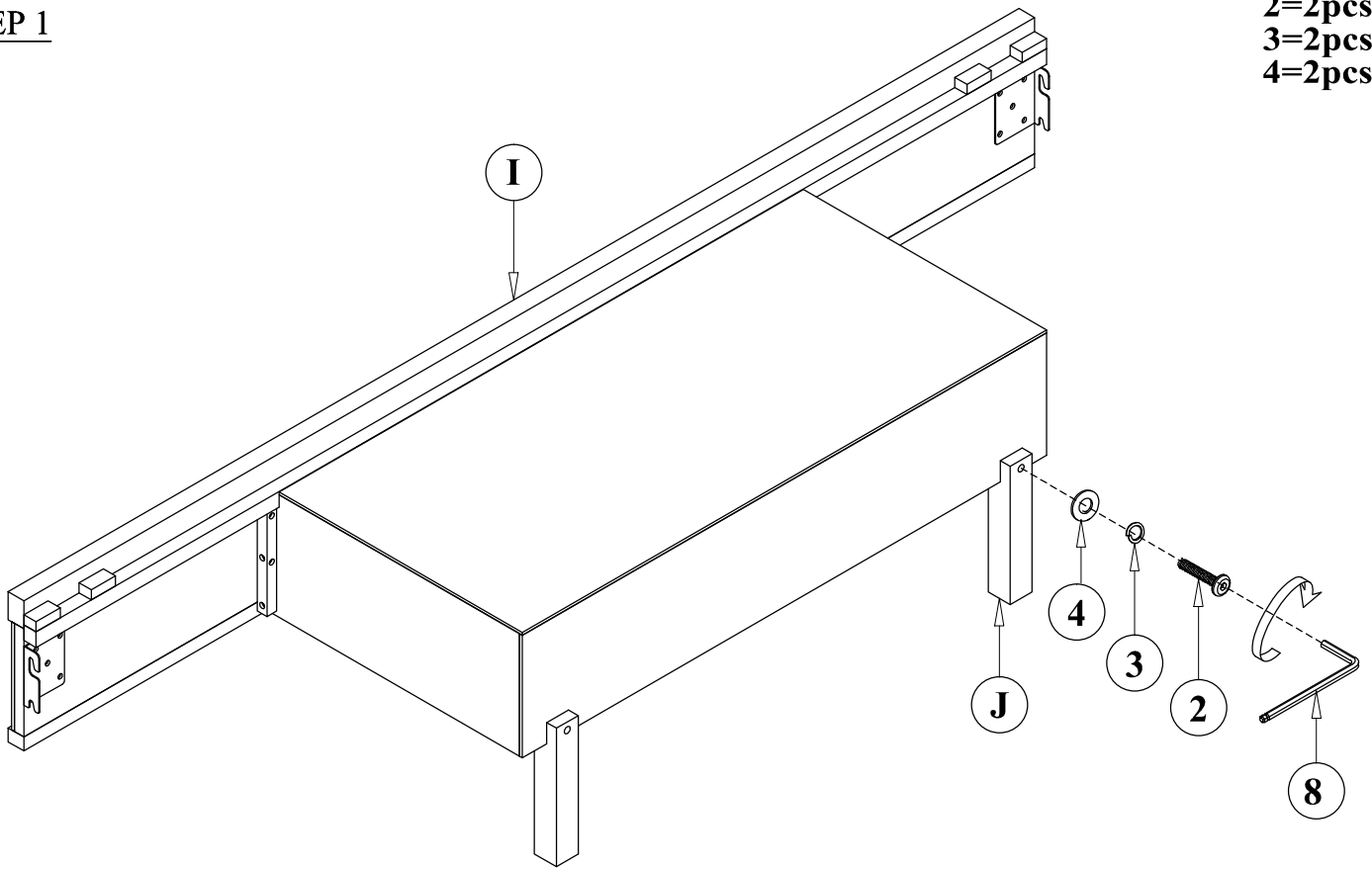
**MUST: TIGHTEN SCREWS PERIODIACLLY. WITH USE SCREW
MAY ENCOME LOOSE CHECK TIGHTNESS OF ALL SCREWS EVERY 6-8
WEEKS.**

CLEANING INSTRUCTIONS:

**After assembly, clean and polish the completed parts if necessary with
soft cloth and industrial recognized furniture polish.**

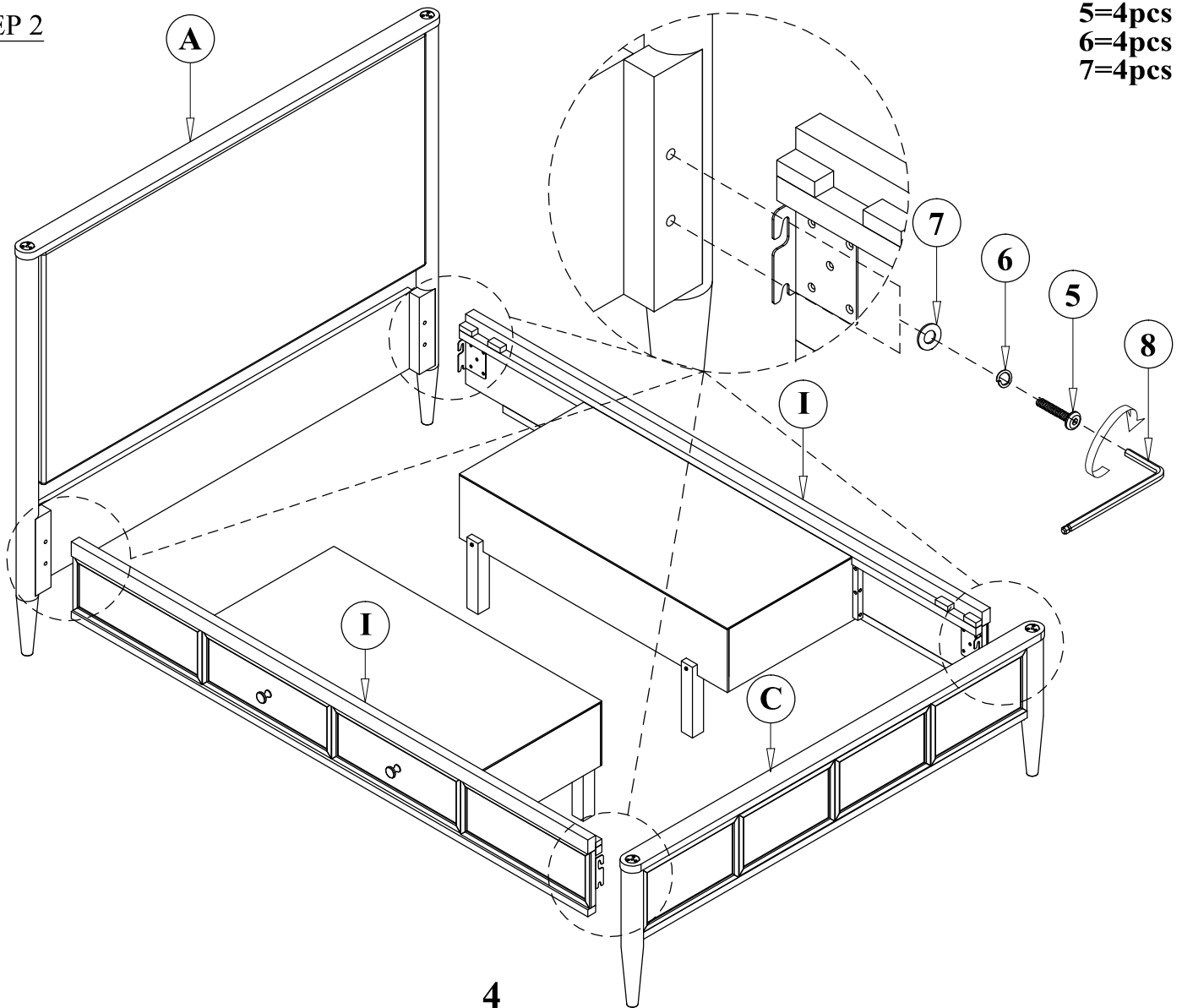
STEP 1

2=2pcs
3=2pcs
4=2pcs

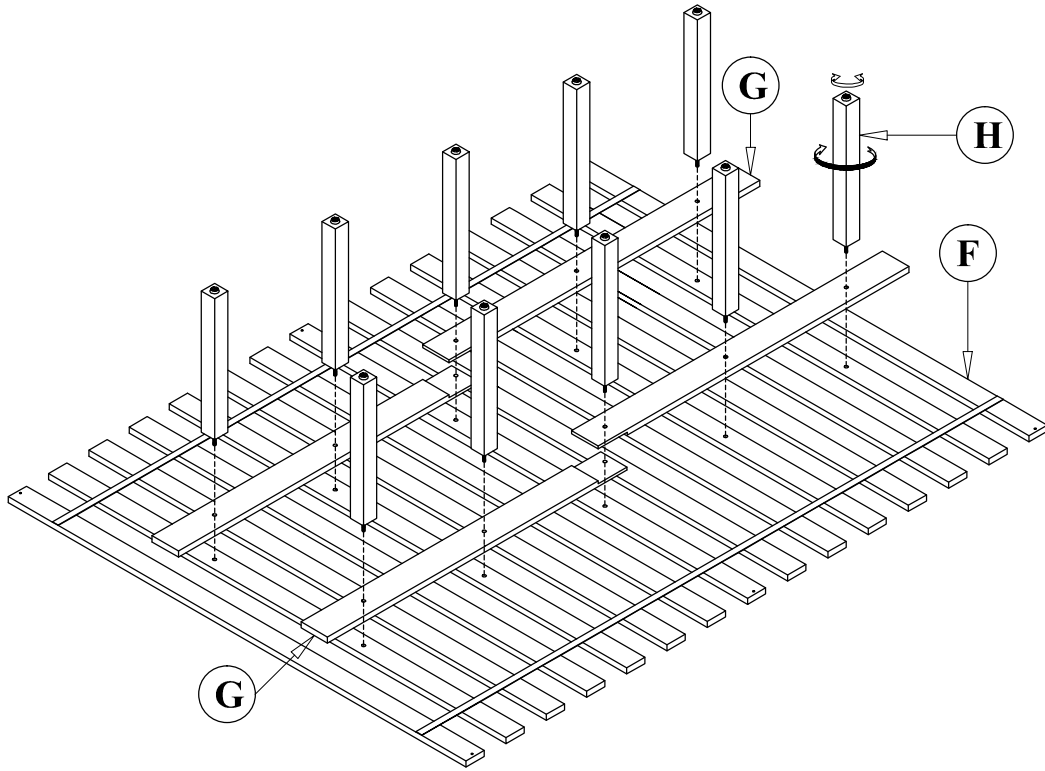


STEP 2

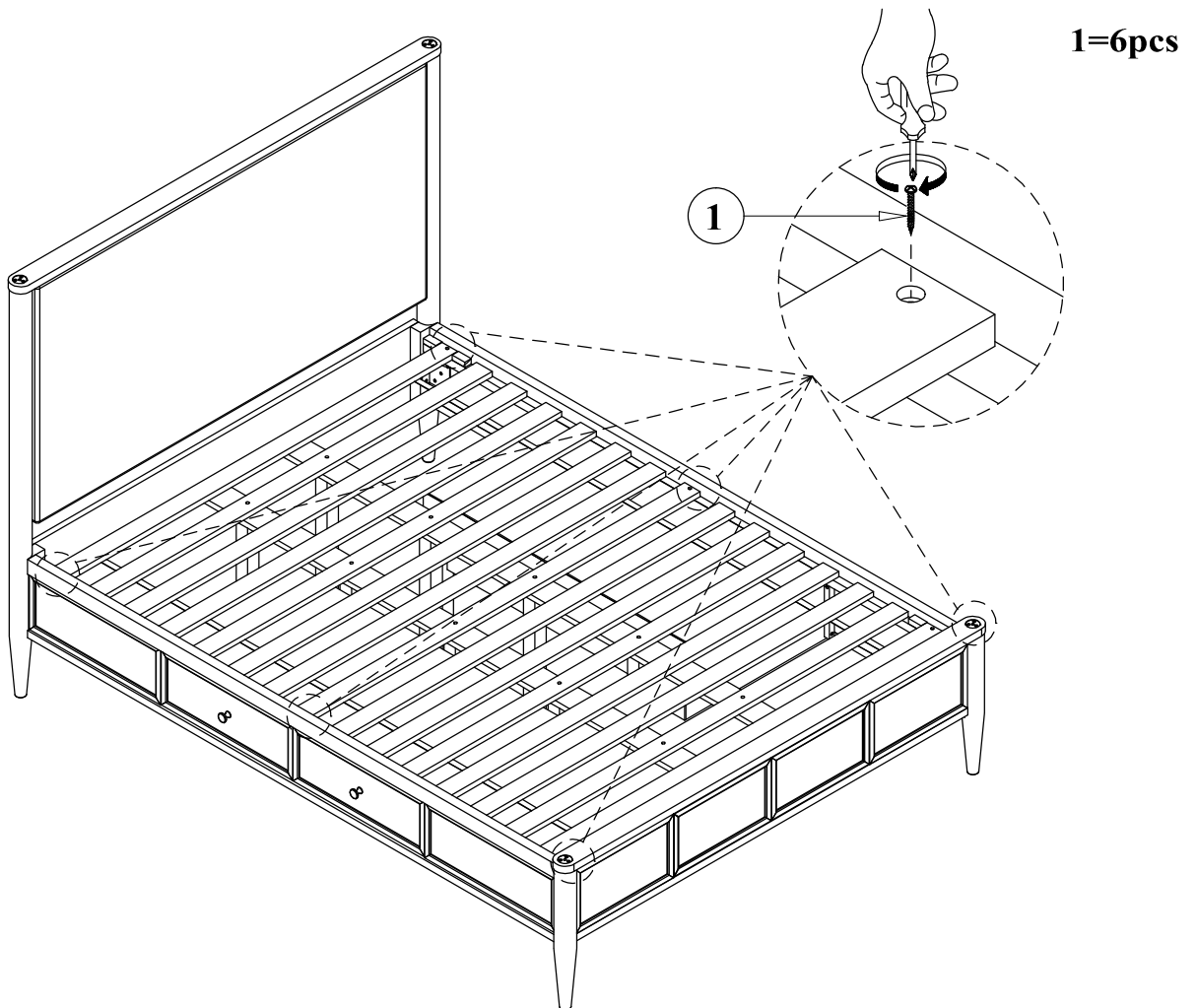
5=4pcs
6=4pcs
7=4pcs



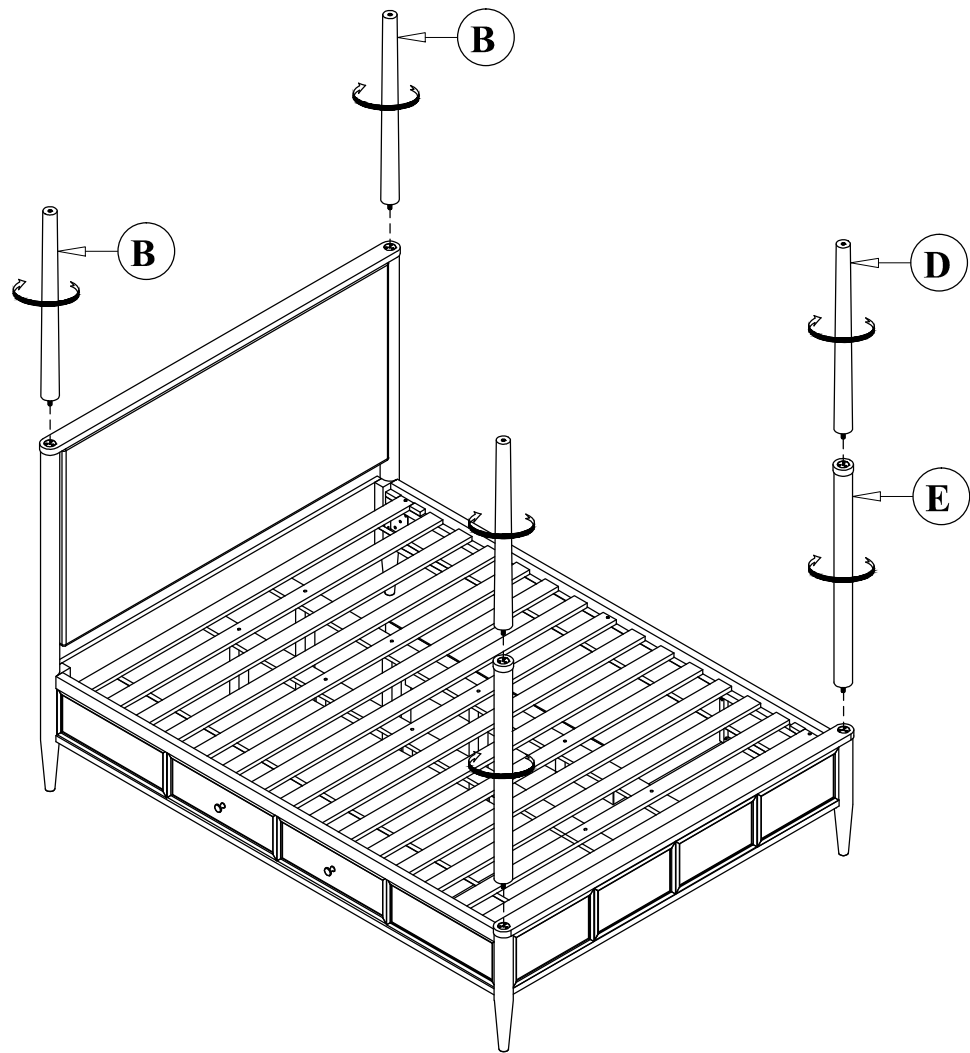
STEP 3



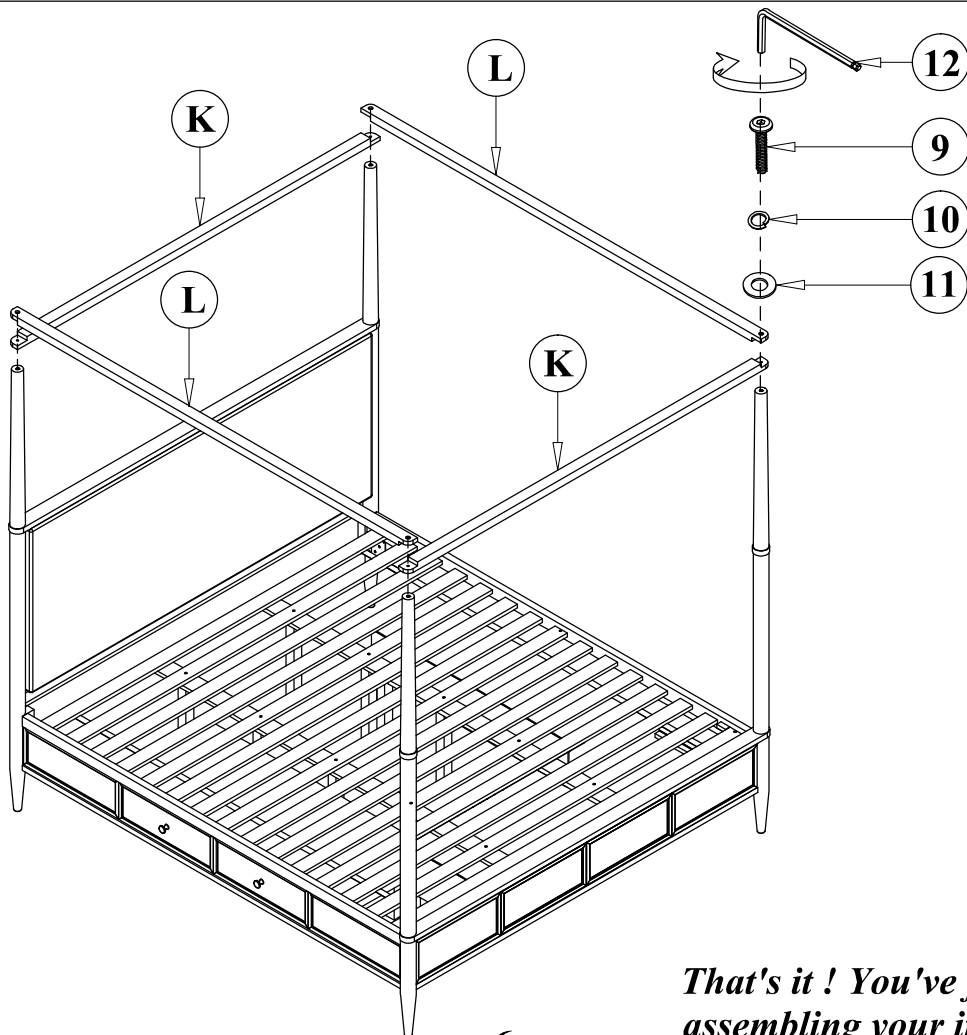
STEP 4



STEP 5



STEP 6



9=4pcs
10=4pcs
11=4pcs

*That's it ! You've finished
assembling your item. Thank you!*