



LIVING SPACES

# ASSEMBLY INSTRUCTIONS

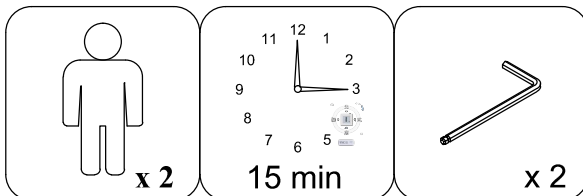
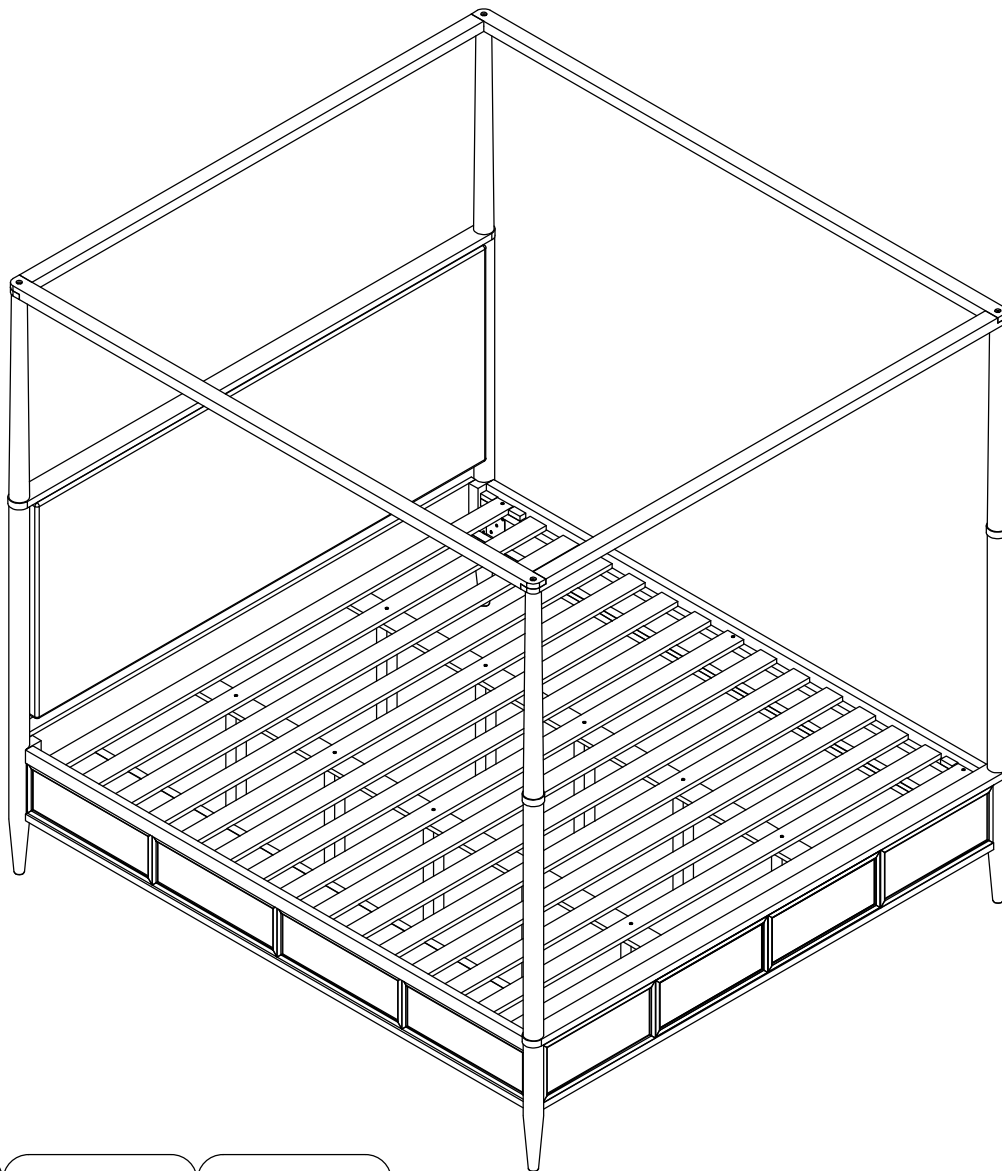
**AUSTEN WHITE KING CANOPY UPH BED**


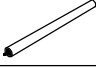


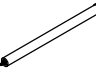
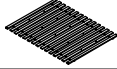
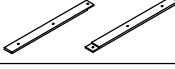
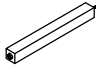



SKU:346224/346225/346637/346226

**AUSTEN WHITE KING CANOPY PANEL BED**


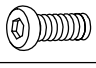



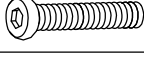



SKU:346627/346225/346637/346226

NO	COMPONENT'S SKU	QUANTITY (Cartons)
1	346224/346627	1
2	346225	1
3	346637	1
4	346226	1



PART	COMPONENT'S SKU	PART LIST Number	IMAGE	DESCRIPTION	QTY
(A)	346224/346627	346224-01 346627-01		Head Board	1
(B)		346224-02 346627-02		Head Board Posts canopy	2
(C)	346225	346225-01		Foot Board	1
(D)		346225-02		Foot Board Posts canopy	2
(E)		346225-03		Foot Board Posts canopy	2
(F)		346225-04		Slat	1 set
(G)		346225-05		Middle Support Bar	4
(H)		346225-06		Support With Leveler	10
(I)	346637	346637		Side Rail	2
(J)	346226	346226-01		Head Board/Foot Board canopy	2
(K)		346226-02		Lift/Right canopy rail	2

#### Hardware List

PART	COMPONENT'S SKU	Hardware List	IMAGE	DESCRIPTION	QTY
(1)	346225	346225-A01		Screw #8* 30mm	6
(2)	346637	346637-A01		Bolts 5/16" *25mm	8
(3)		346637-A02		Spring Washer 5/16" Dia	8
(4)		346637-A03		Flat Washer 5/16" * Dia	8
(5)		346637-A04		Allen key	1
(6)	346226	346226-A01		Bolts 5/16" *60mm	4
(7)		346226-A02		Spring Washer 5/16" Dia	4
(8)		346226-A03		Flat Washer 5/16" * Dia	4
(9)		346226-A04		Allen key	1

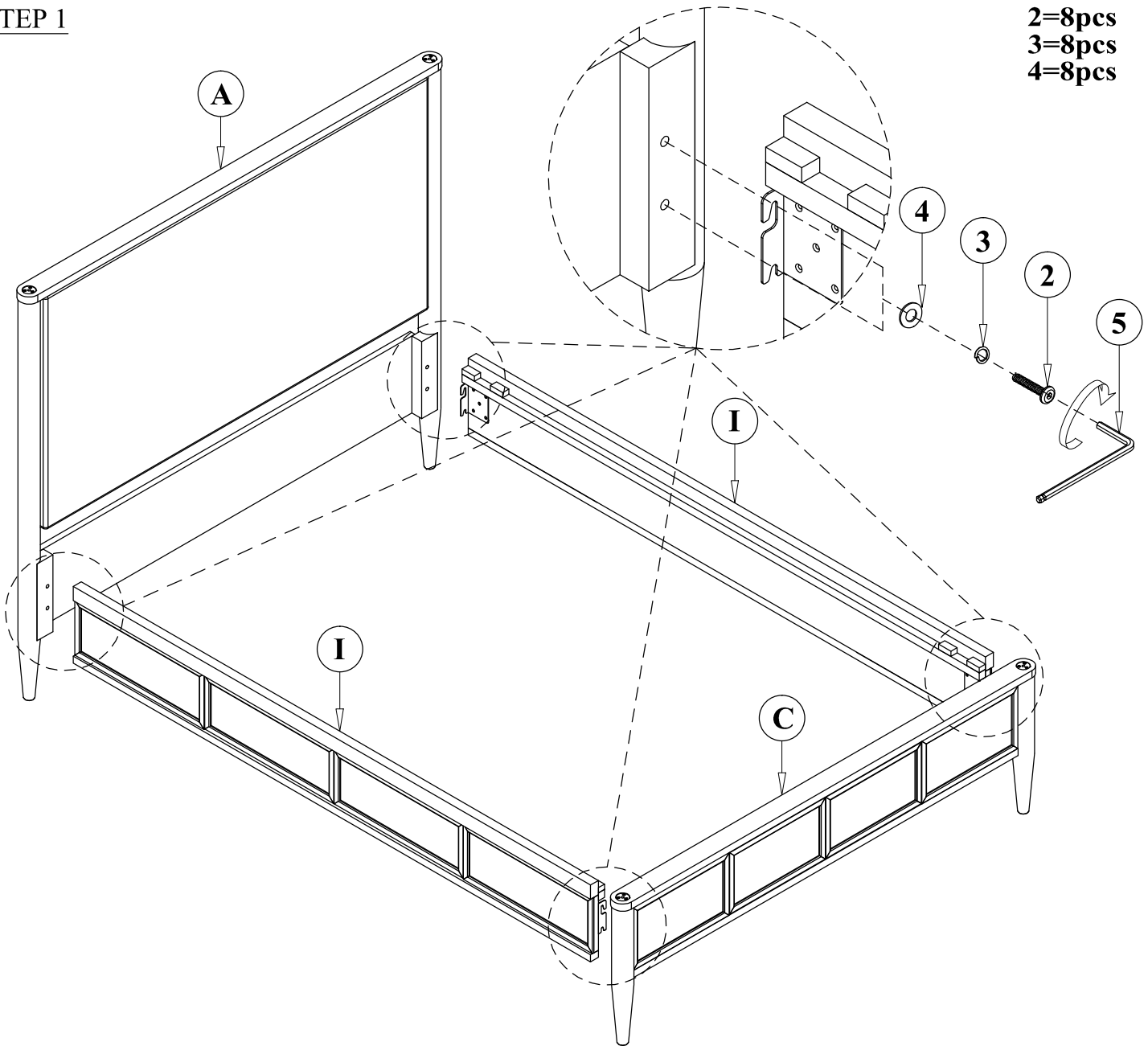
**THE HAEDWARE IS LOCATED IN THE PACKING ITEM**

**MUST: TIGHTEN SCREWS PERIODIACLLY. WITH USE SCREW MAY ENCOME LOOSE CHECK TIGHTNESS OF ALL SCREWS EVERY 6-8 WEEKS.**

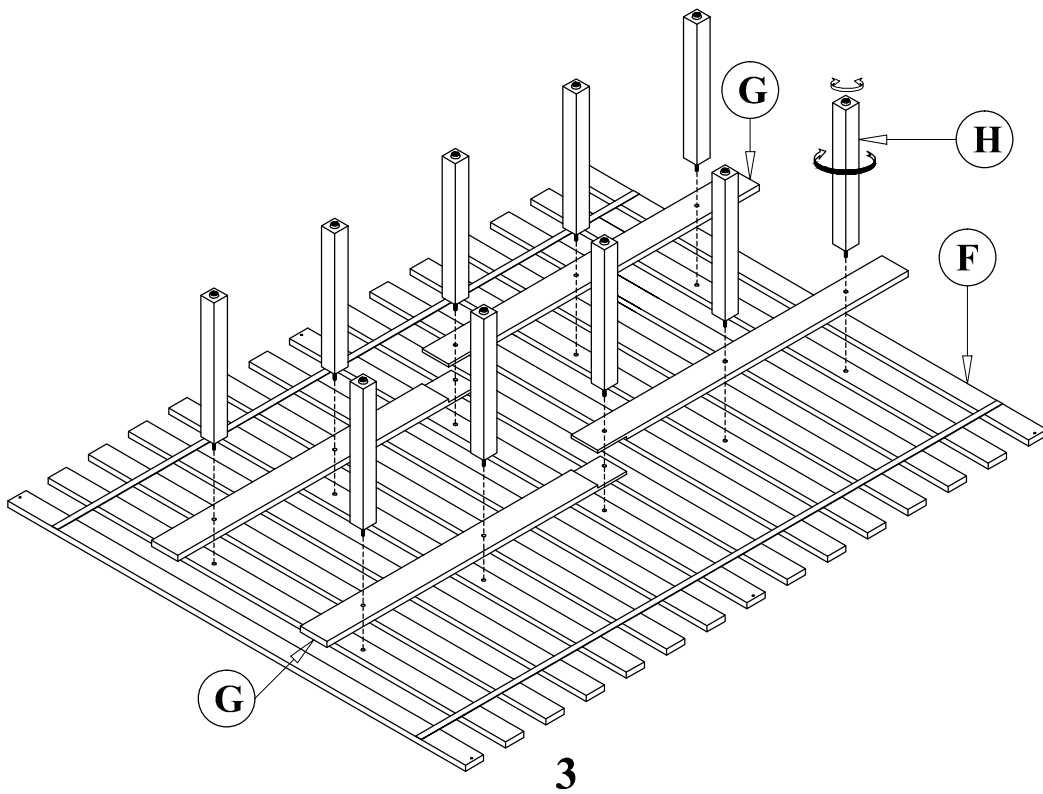
#### CLEANING INSTRUCTIONS:

After assembly, clean and polish the completed parts if necessary with soft cloth and industrial recognized furniture polish.

STEP 1

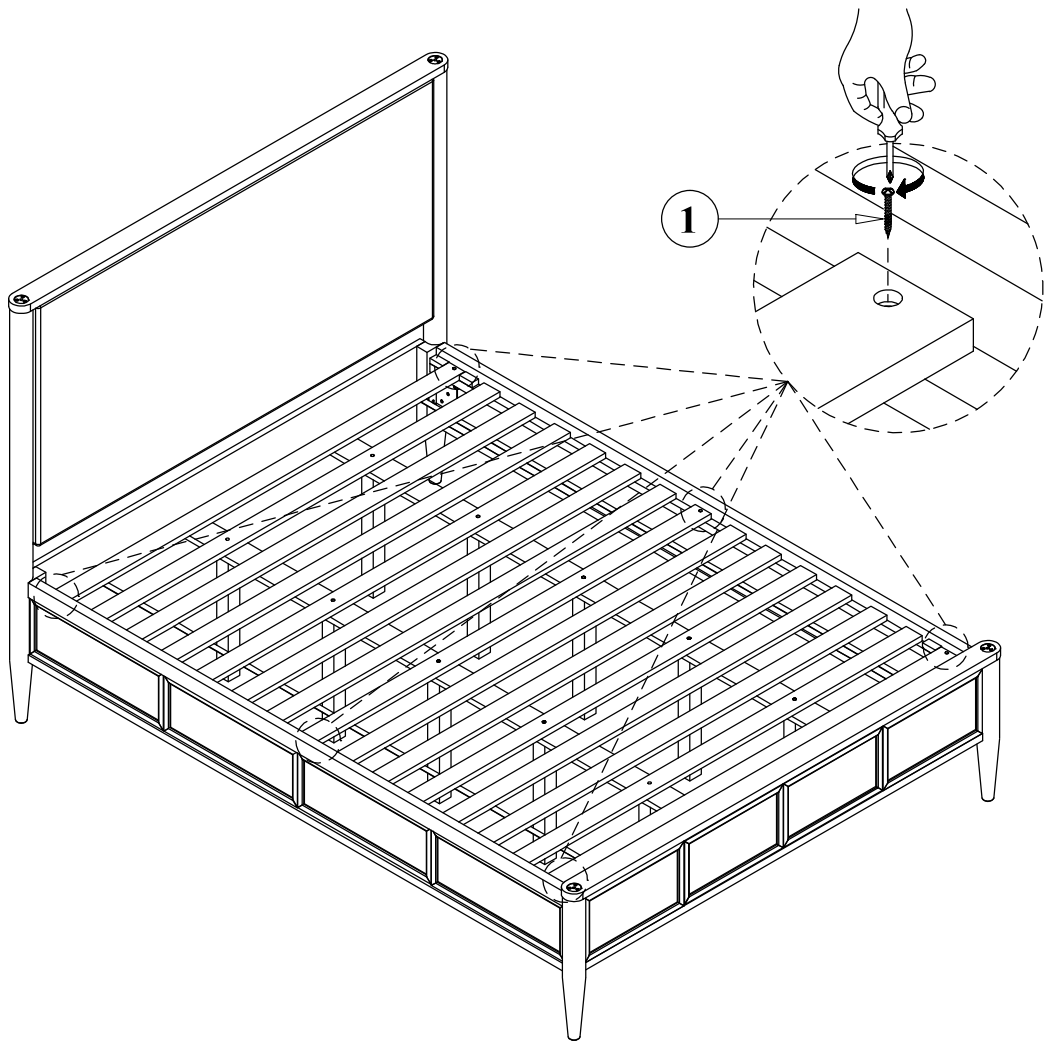


STEP 2

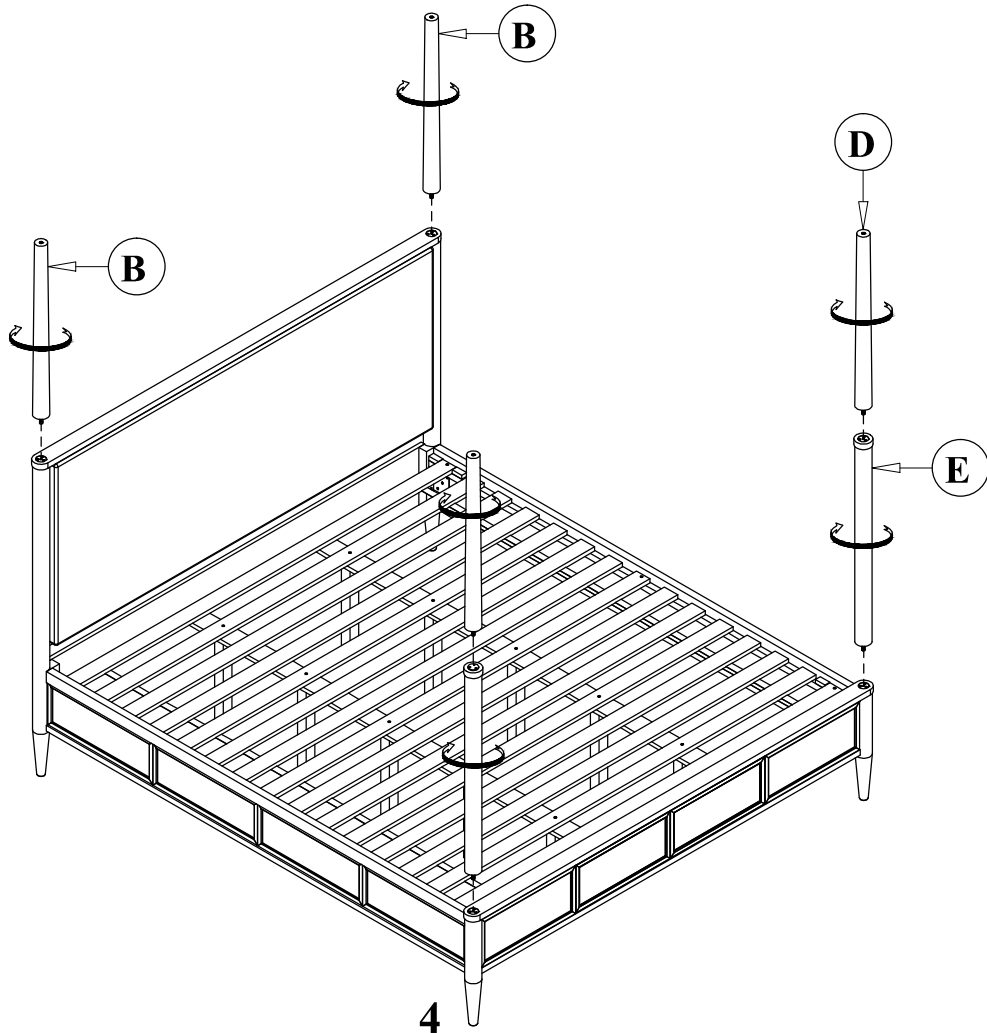


STEP 3

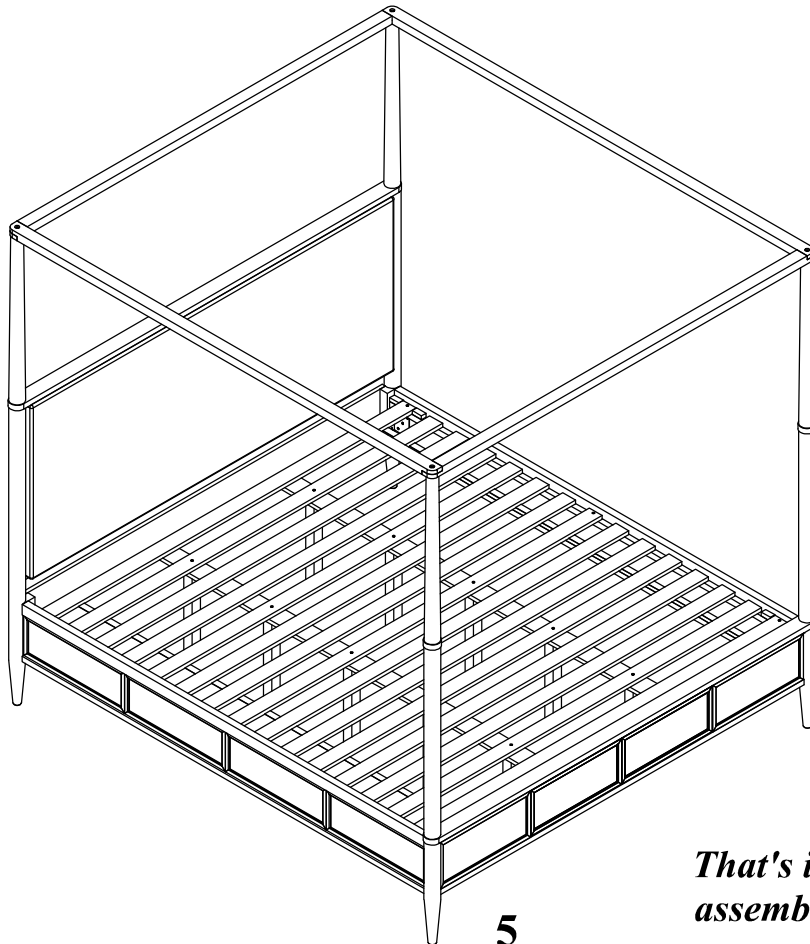
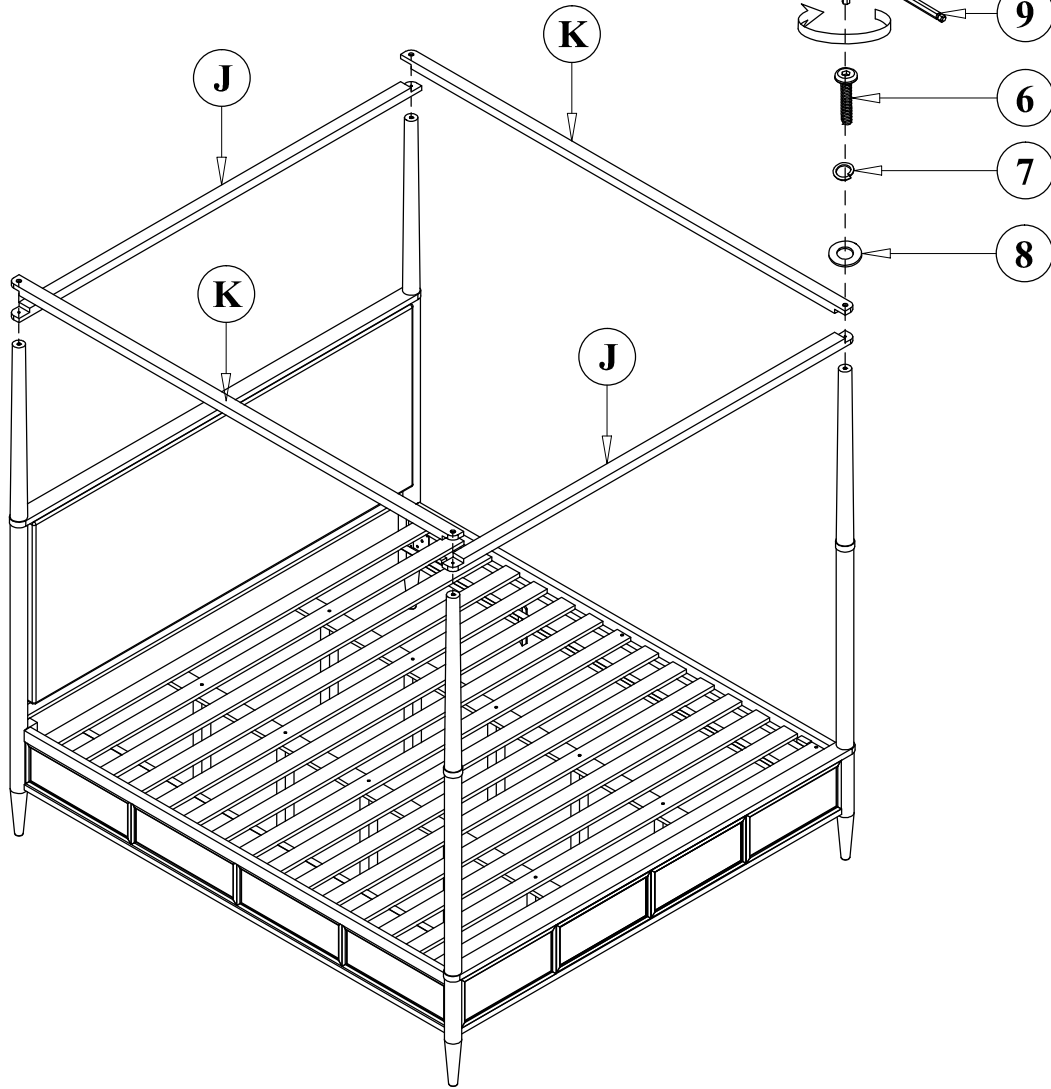
1=6pcs



STEP 4



STEP 5



*That's it ! You've finished  
assembling your item. Thank you!*