



LIVING SPACES

ASSEMBLY INSTRUCTIONS

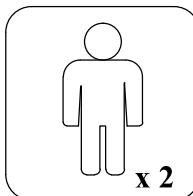
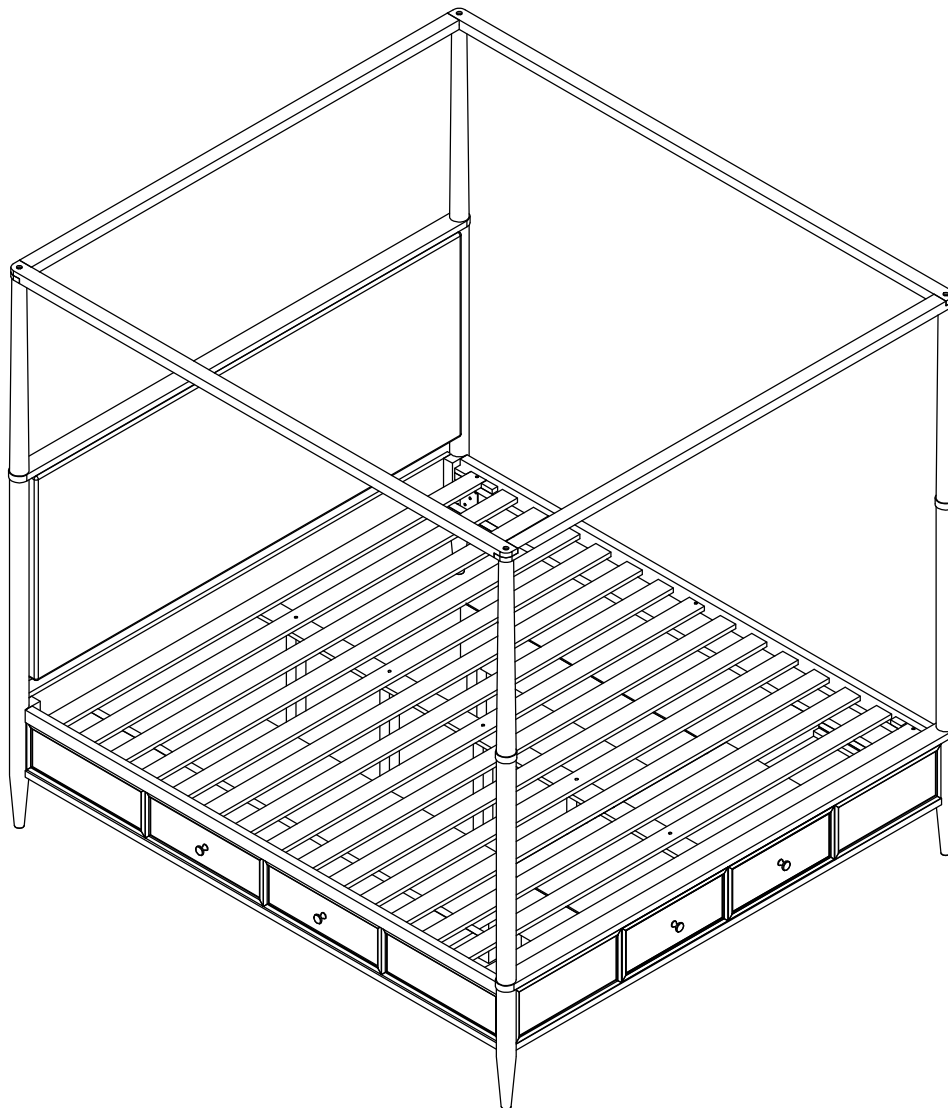
**AUSTEN WHITE QUEEN CANOPY UPH BED
W/ SIDE & FOOTBOARD STORAGE**

SKU:346576/346578/346268/346192

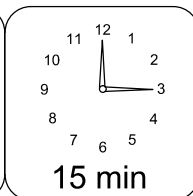
**AUSTEN WHITE QUEEN CANOPY PANEL
BED W/ SIDE & FOOTBOARD STORAGE**

SKU:346118/346578/346268/346192

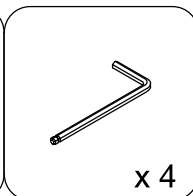
NO	COMPONENT'S SKU	QUANTITY (Cartons)
1	346576/346118	1
2	346578	1
3	346268	2
4	346192	1



x 2

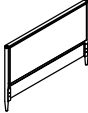
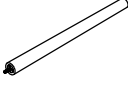
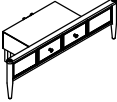
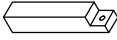
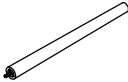
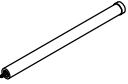
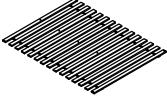
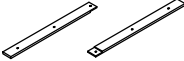
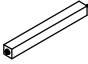
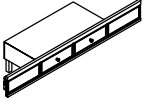
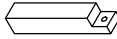
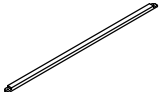
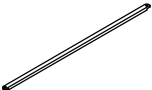


15 min






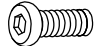












x 4

1

PART	COMPONENT'S SKU	PART LIST Number	IMAGE	DESCRIPTION	QTY
(A)	346576/346118	346576-01 346118-01		Head Board	1
(B)		346576-02 346118-03		Head Board Posts canopy	2
(C)	346578	346578-01		Storage Foot Board	1
(D)		346578-02		Foot Board back leg	2
(E)		346578-03		Foot Board Posts canopy	2
(F)		346578-04		Foot Board Posts canopy	2
(G)		346578-05		Slat	1 set
(H)		346578-06		Middle Support Bar	2
(I)		346578-07		Support With Leveler	5
(J)		346268	346268-01		Side Rail
(K)	346268-02			Side Rail back leg	2
(L)	346192	346192-01		Head Board/Foot Board canopy	2
(M)		346192-02		Lift/Right canopy rail	2

Hardware List

PART	COMPONENT'S SKU	Hardware List	IMAGE	DESCRIPTION	QTY
①	346578	346578-A01		Screw #8* 30mm	6
②		346578-A02		Bolts 1/4" * 38mm	2
③		346578-A03		Spring Washer 1/4"*11mm	2
④		346578-A04		Flat Washer 1/4" *19mm	2
⑤		346578-A05		Allen key	1
⑥	346268	346268-A01		Bolts 5/16" * 25mm	4
⑦		346268-A02		Spring Washer 5/16" Dia	4
⑧		346268-A03		Flat Washer 5/16" * Dia	4
⑨		346268-A04		Bolts 1/4" * 38mm	2
⑩		346268-A05		Spring Washer 1/4"*11mm	2
⑪		346268-A06		Flat Washer 1/4" *19mm	2
⑫		346268-A07		Allen key	1
⑬	346192	346192-A01		Bolts 5/16" * 60mm	4
⑭		346192-A02		Spring Washer 5/16" Dia	4
⑮		346192-A03		Flat Washer 5/16" * Dia	4
⑯		346192-A04		Allen key	1

THE HAEDWARE IS LOCATED IN THE PACKING ITEM

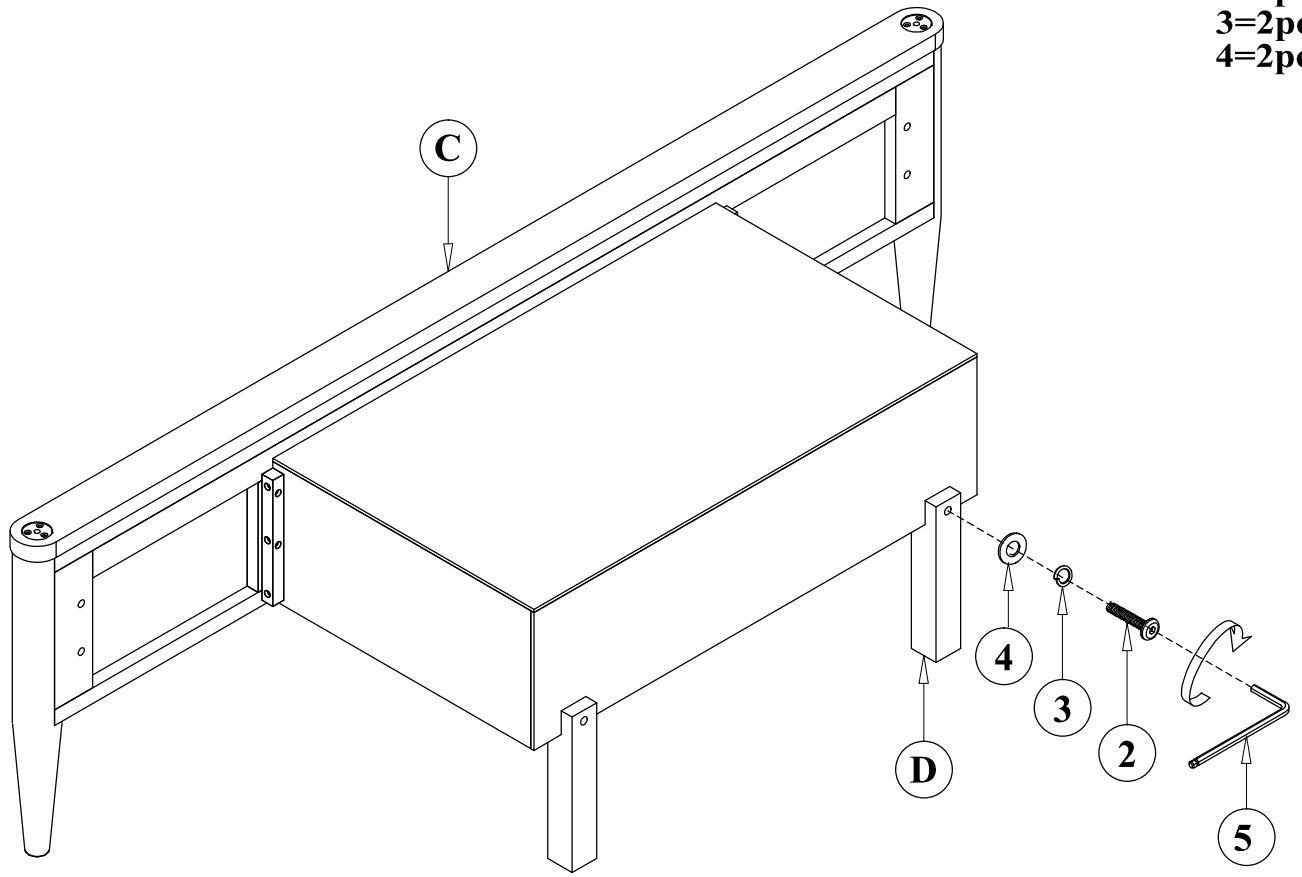
**MUST: TIGHTEN SCREWS PERIODIACLLY. WITH USE SCREW
MAY ENCOME LOOSE CHECK TIGHTNESS OF ALL SCREWS EVERY 6-8
WEEKS.**

CLEANING INSTRUCTIONS:

**After assembly, clean and polish the completed parts if necessary with
soft cloth and industrial recognized furniture polish.**

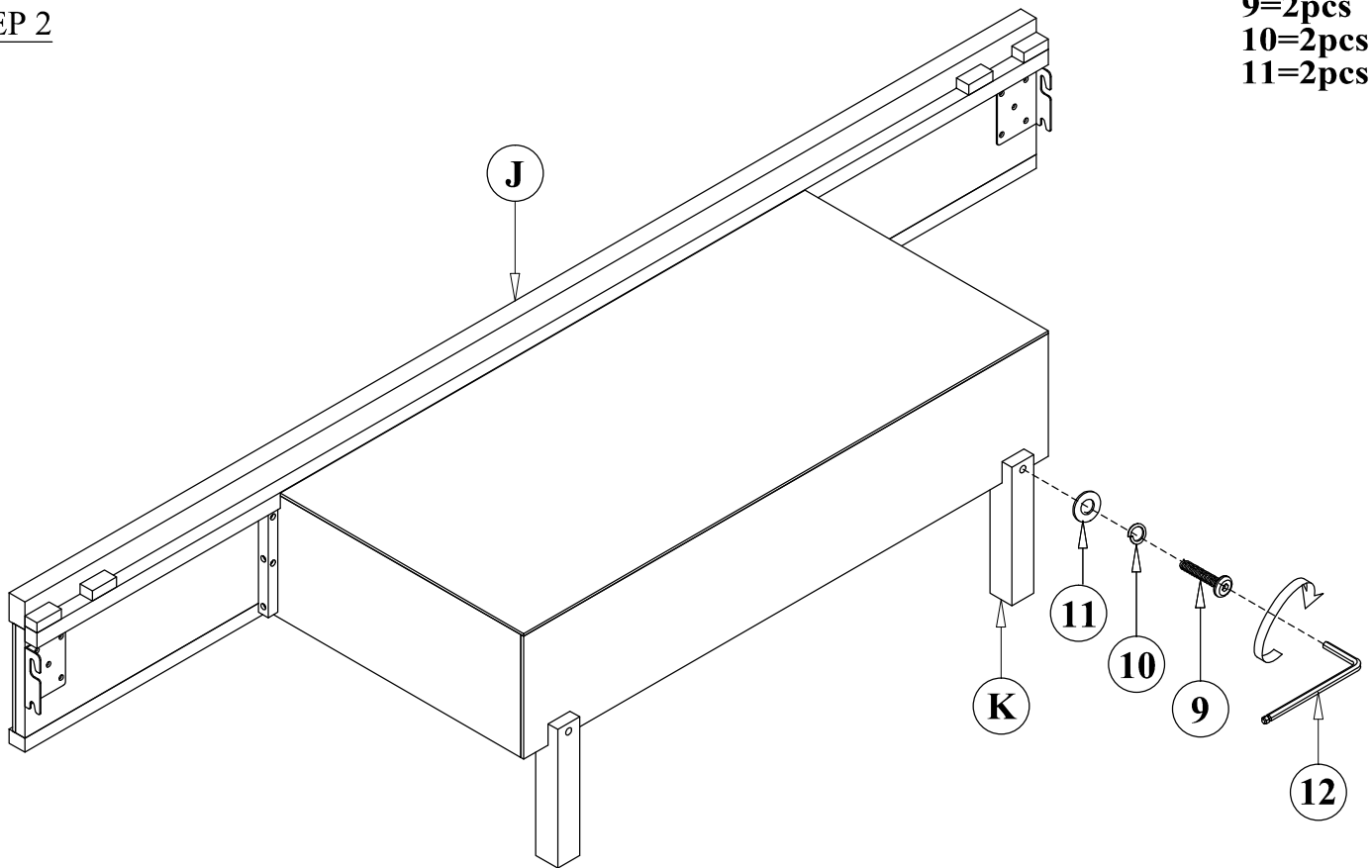
STEP 1

2=2pcs
3=2pcs
4=2pcs



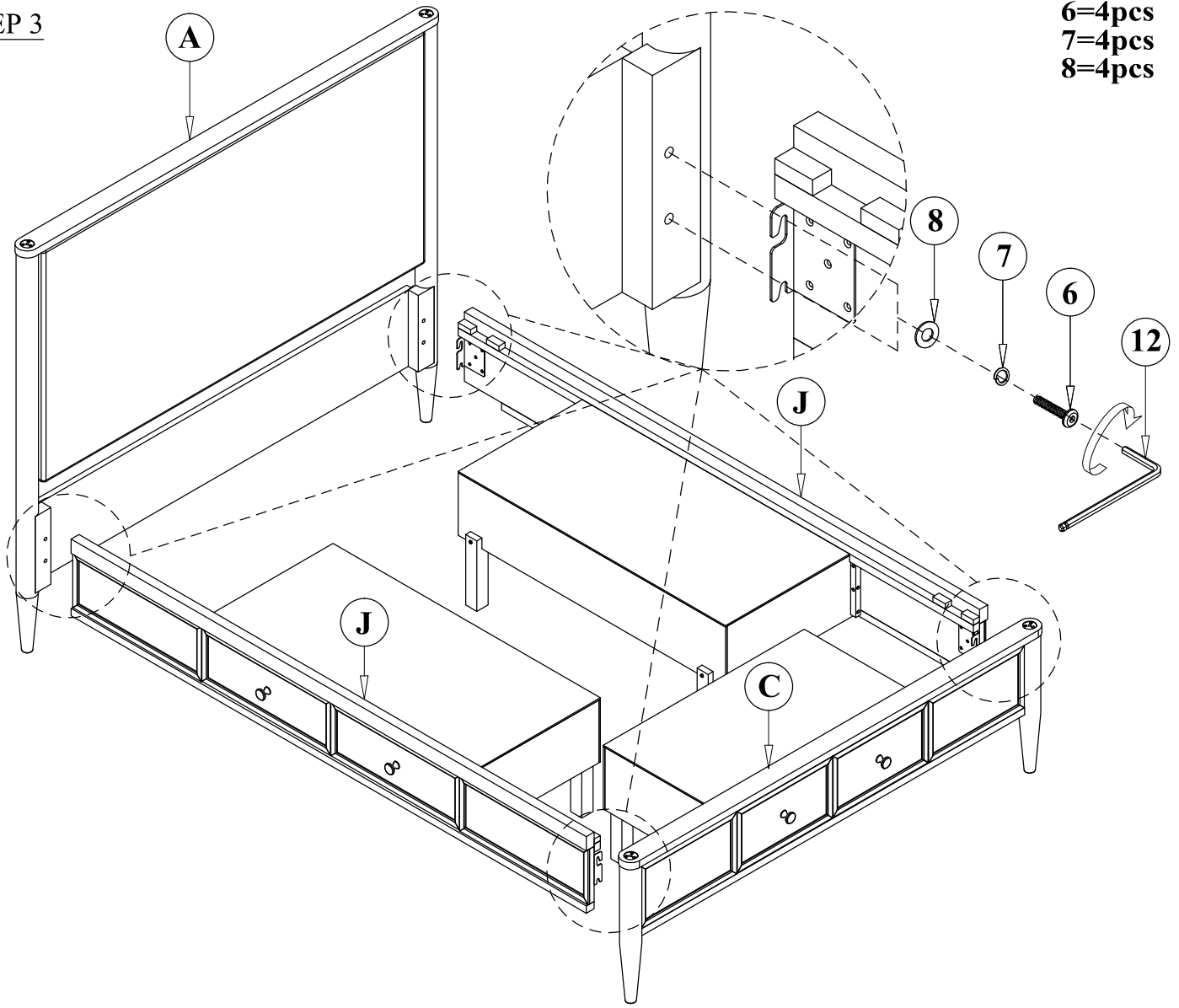
STEP 2

9=2pcs
10=2pcs
11=2pcs

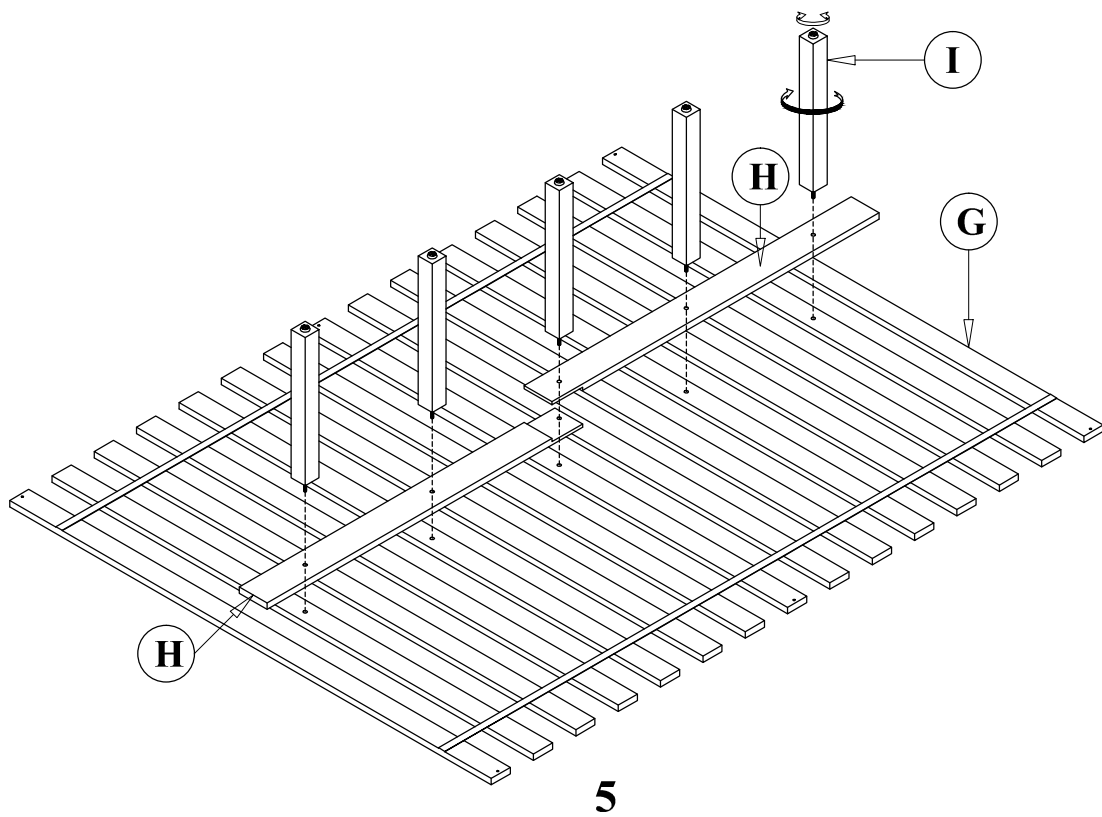


STEP 3

6=4pcs
7=4pcs
8=4pcs

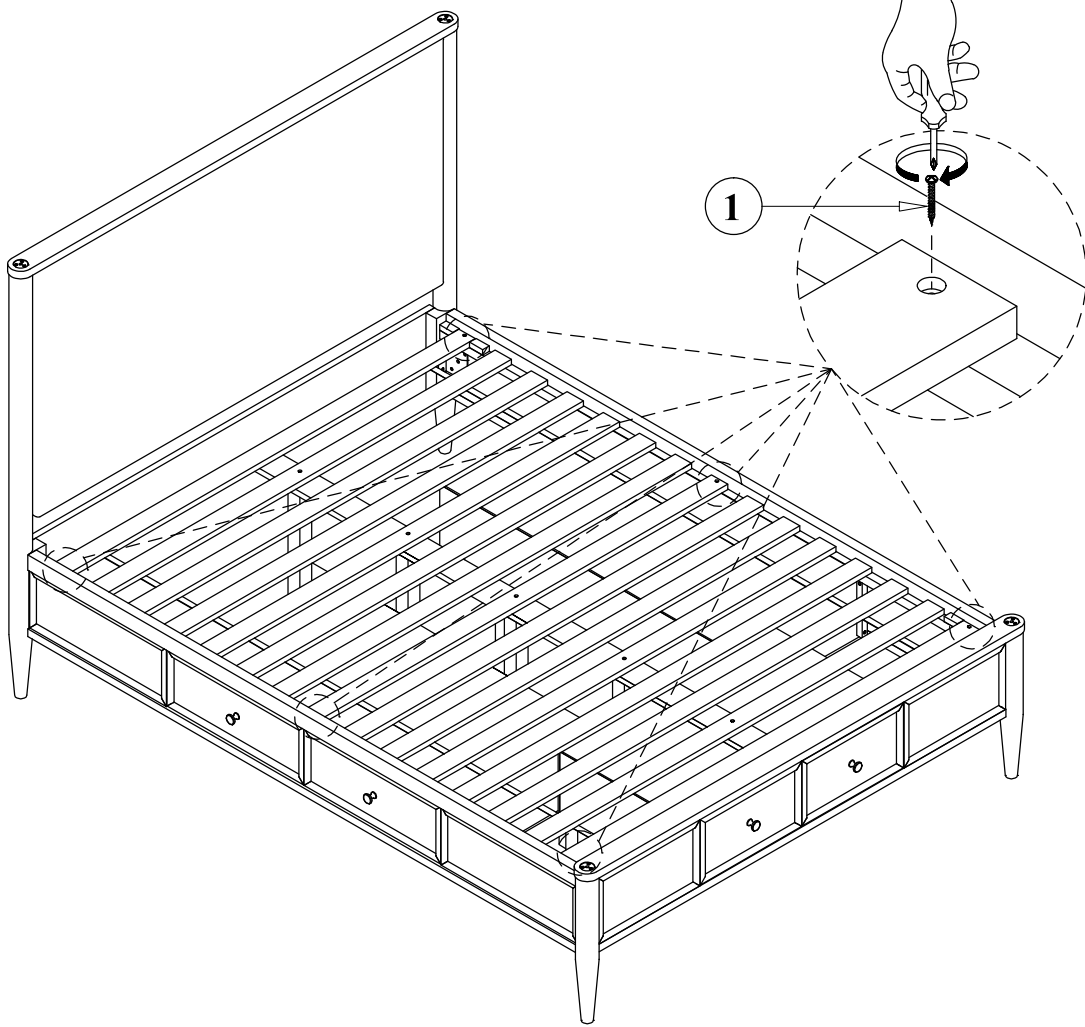


STEP 4

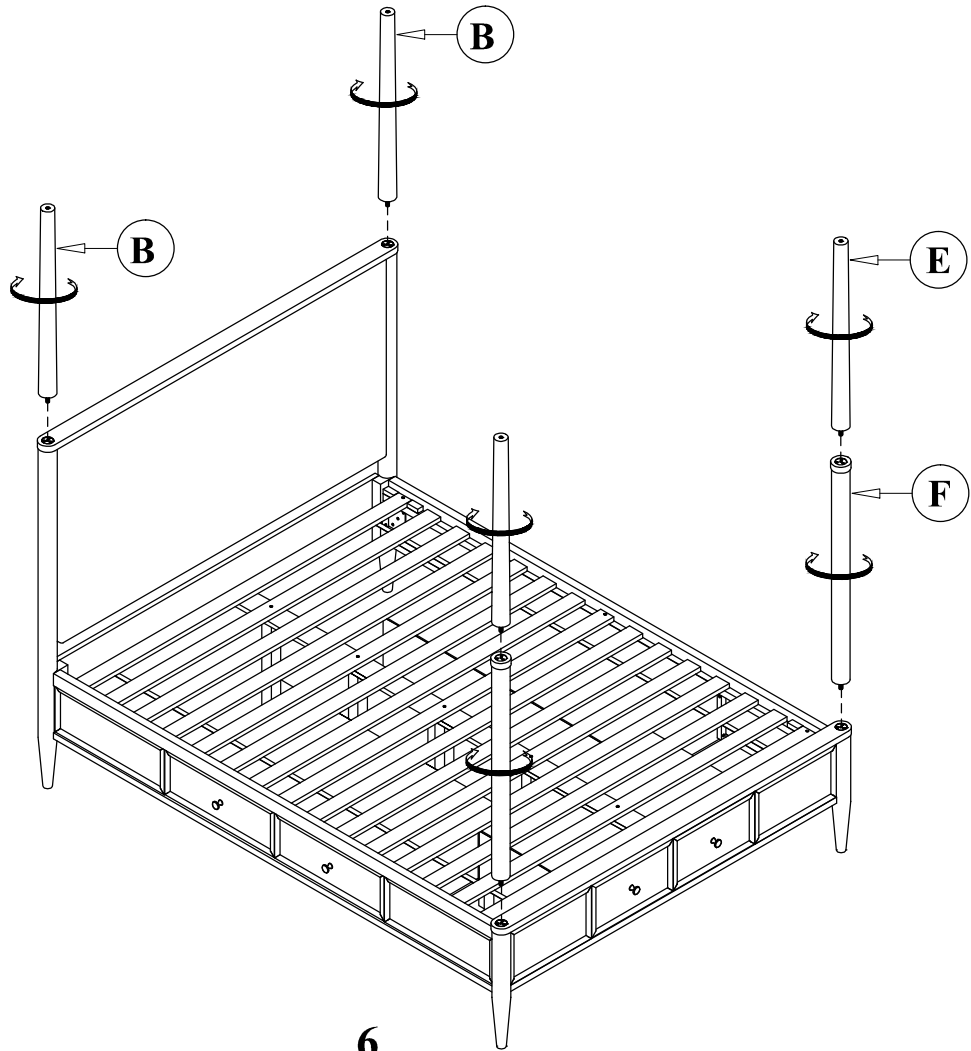


STEP 5

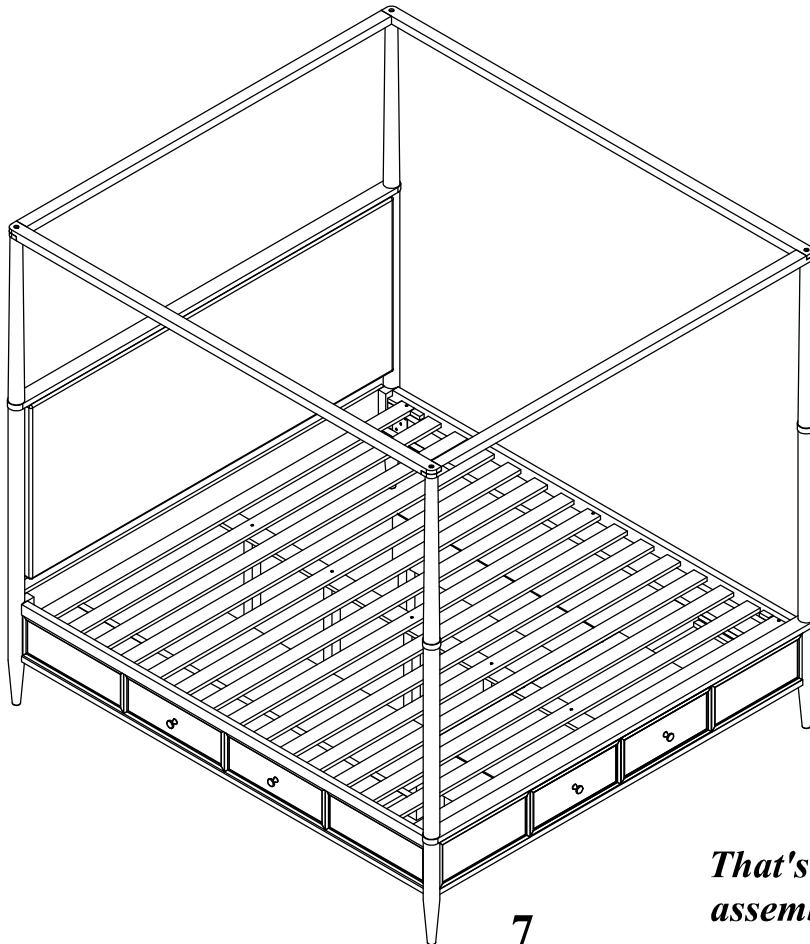
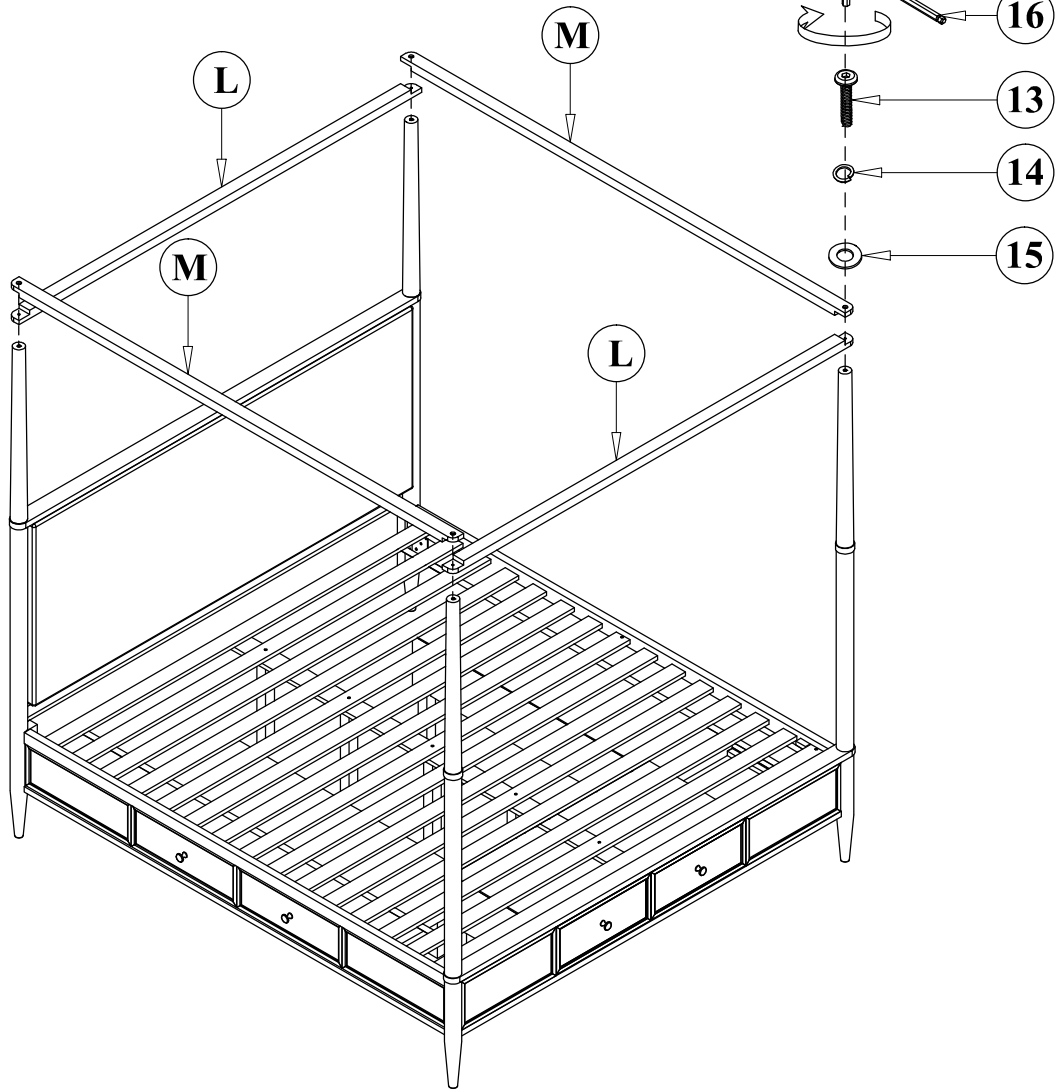
1=6pcs



STEP 6



STEP 7



*That's it ! You've finished
assembling your item. Thank you!*