



LIVING SPACES

# ASSEMBLY INSTRUCTIONS

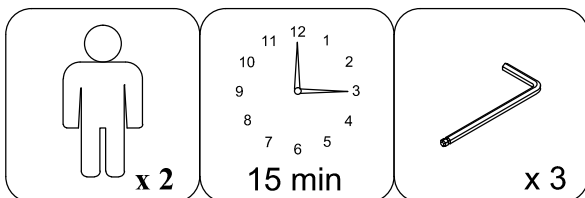
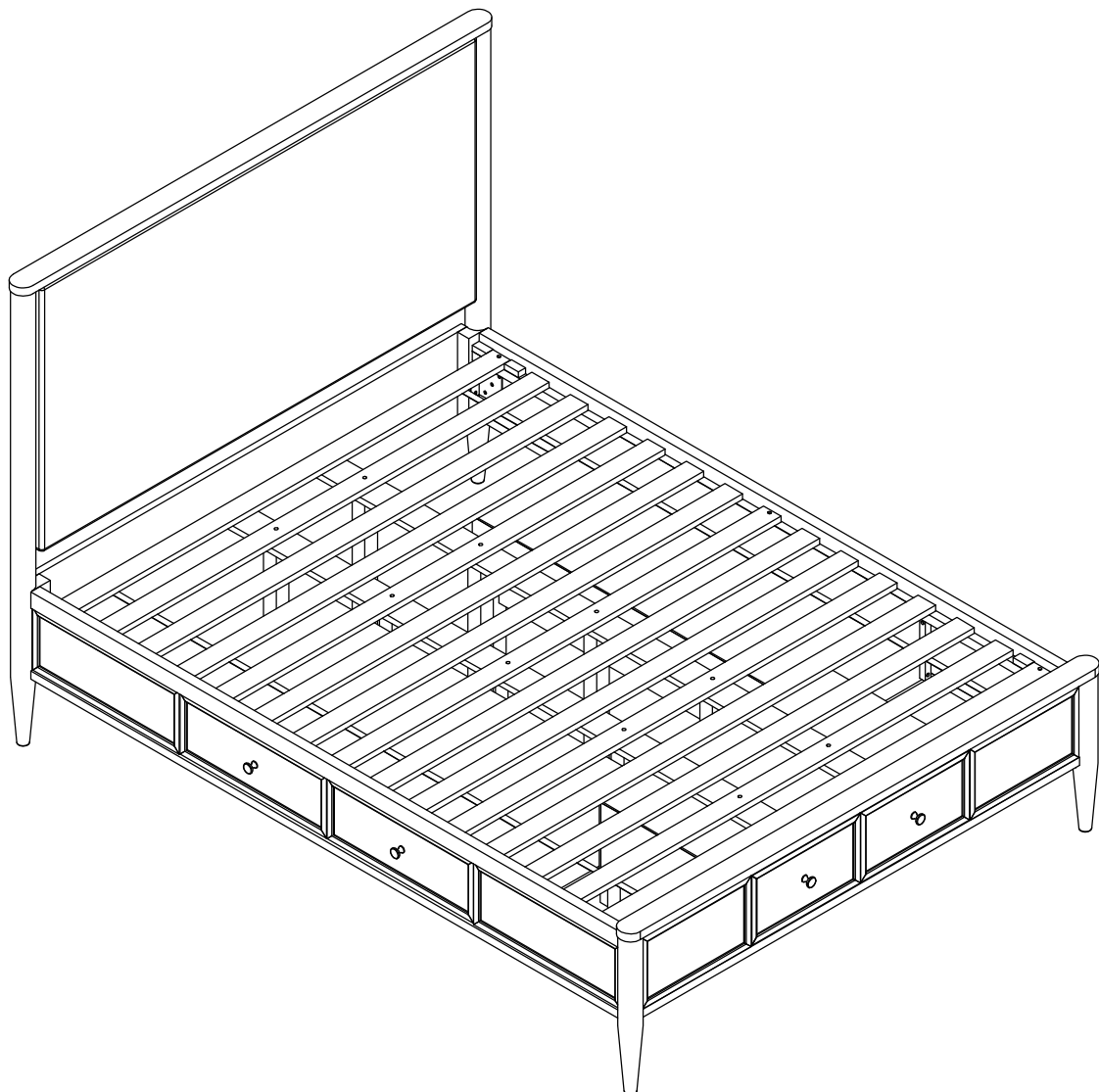
*AUSTEN WHITE KING UPH BED W/ SIDE & FOOTBOARD STORAGE*

*SKU:346171/346529/346268*



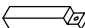
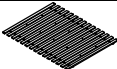



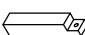
*AUSTEN WHITE KING PANEL BED W/ SIDE & FOOTBOARD STORAGE*

*SKU:346099/346529/346268*





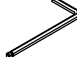






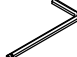
NO	COMPONENT'S SKU	QUANTITY (Cartons)
1	346171/346099	1
2	346529	1
3	346268	2



1

PART	COMPONENT'S SKU	PART LIST Number	IMAGE	DECRPTION	QTY
(A)	346171/346099	346171/346099		Head Board	1
(B)	346529	346529-01		Storage Foot Board	1
(C)		346529-02		Foot Board back leg	2
(D)		346529-03		Slat	1 set
(E)		346529-04		Middle Support Bar	4
(F)		346529-05		Support With Leveler	10
(G)		346268	346268-01		Storage Side Rail
(H)	346268-02			Side Rail back leg	2

### Hardware List

PART	COMPONENT'S SKU	Hardware List	IMAGE	DECRPTION	QTY
(1)	346529	346529-A01		Screw #8* 30mm	6
(2)		346529-A02		Bolts 1/4" *38mm	2
(3)		346529-A03		Spring Washer 1/4"*11mm	2
(4)		346529-A04		Flat Washer 1/4" *19mm	2
(5)		346529-A05		Allen key	1
(6)	346268	346268-A01		Bolts 5/16" *25mm	4
(7)		346268-A02		Spring Washer 5/16" Dia	4
(8)		346268-A03		Flat Washer 5/16" * Dia	4
(9)		346268-A04		Bolts 1/4" *38mm	2
(10)		346268-A05		Spring Washer 1/4"*11mm	2
(11)		346268-A06		Flat Washer 1/4" *19mm	2
(12)		346268-A07		Allen key	1

### THE HAEDWARE IS LOCATED IN THE PACKING ITEM

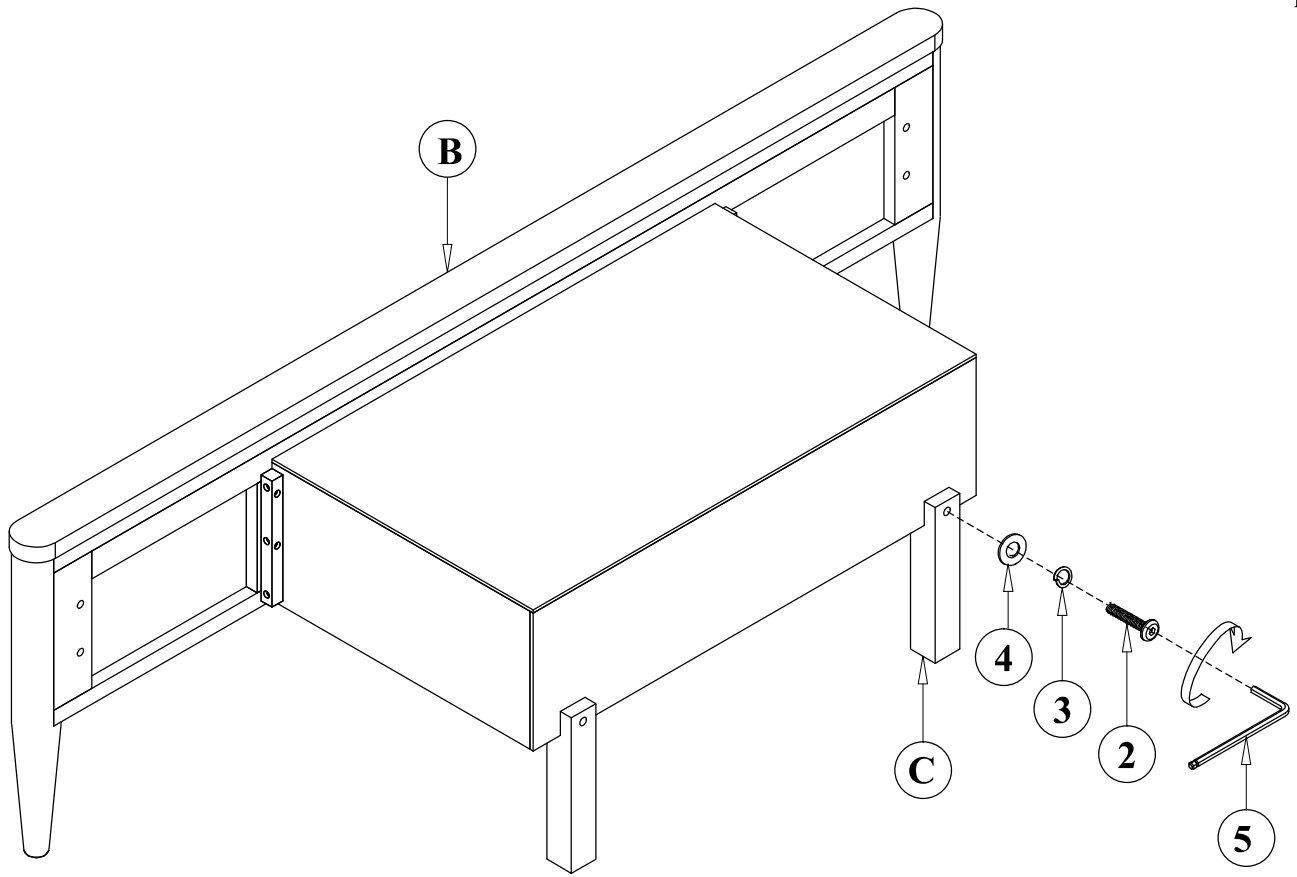
**MUST: TIGHTEN SCREWS PERIODIACLLY. WITH USE SCREW MAY ENCOME LOOSE CHECK TIGHTNESS OF ALL SCREWS EVERY 6-8 WEEKS.**

### CLEANING INSTRUCTIONS:

**After assembly, clean and polish the completed parts if necessary with soft cloth and industrial recognized furniture polish.**

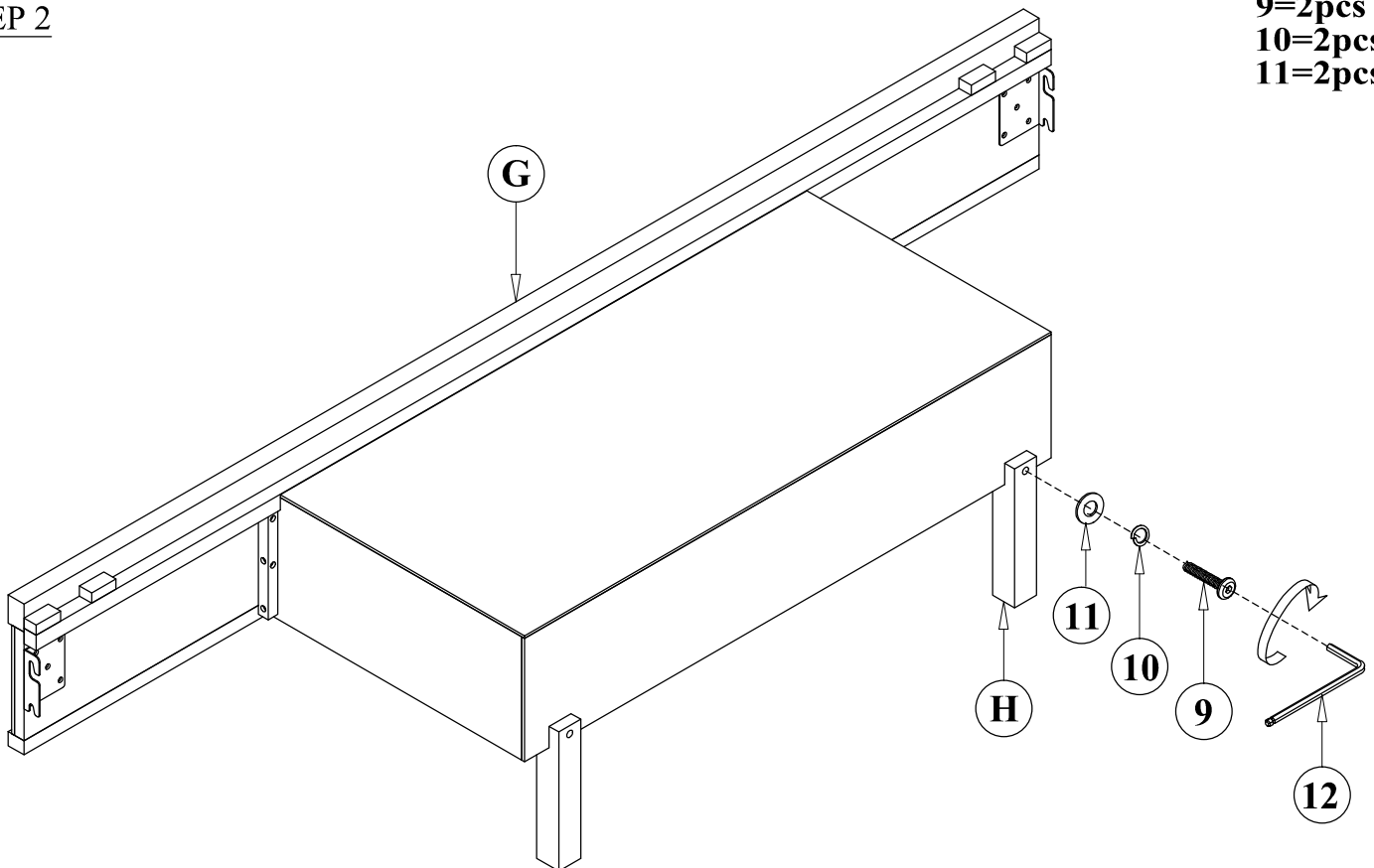
STEP 1

2=2pcs  
3=2pcs  
4=2pcs



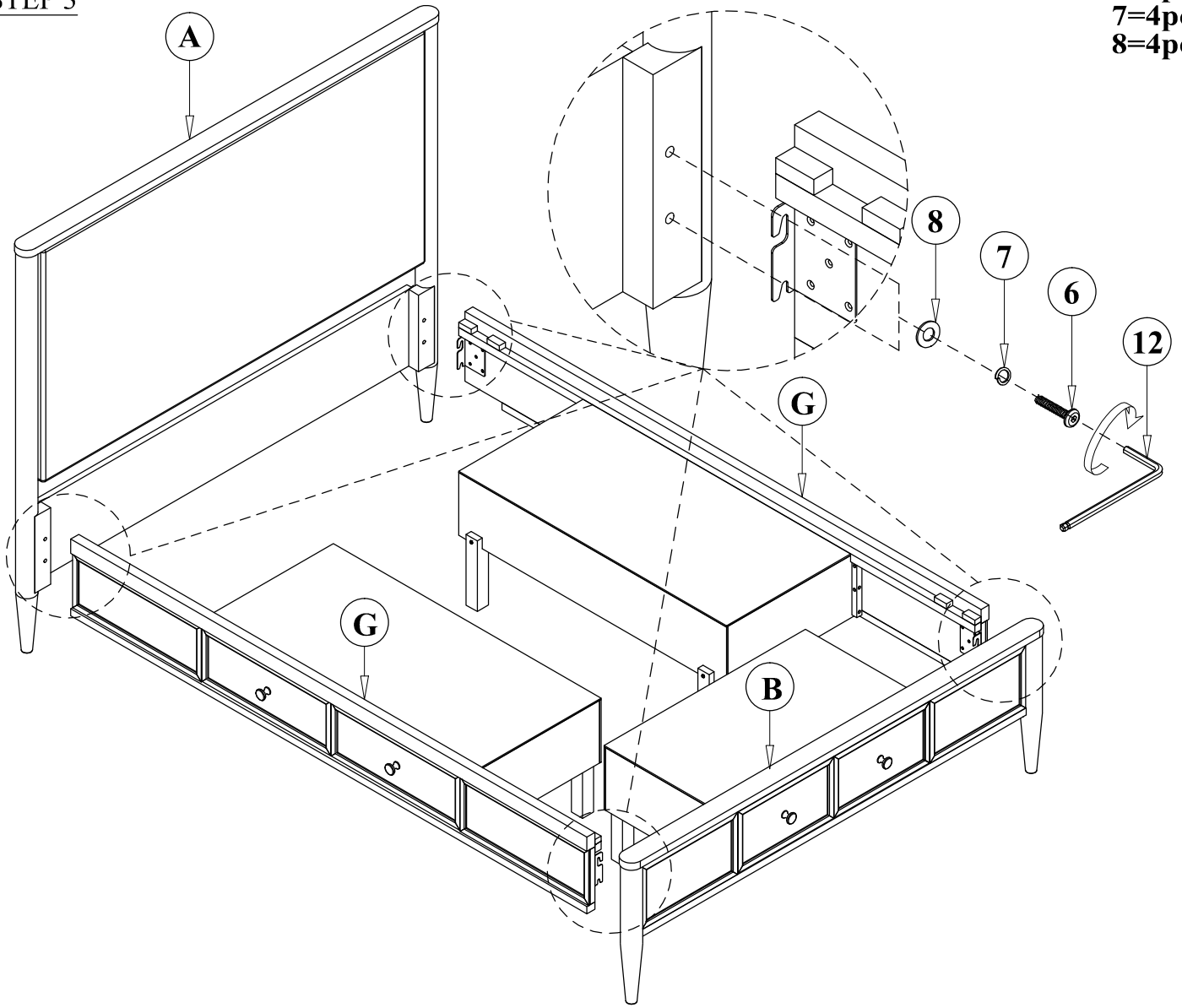
STEP 2

9=2pcs  
10=2pcs  
11=2pcs

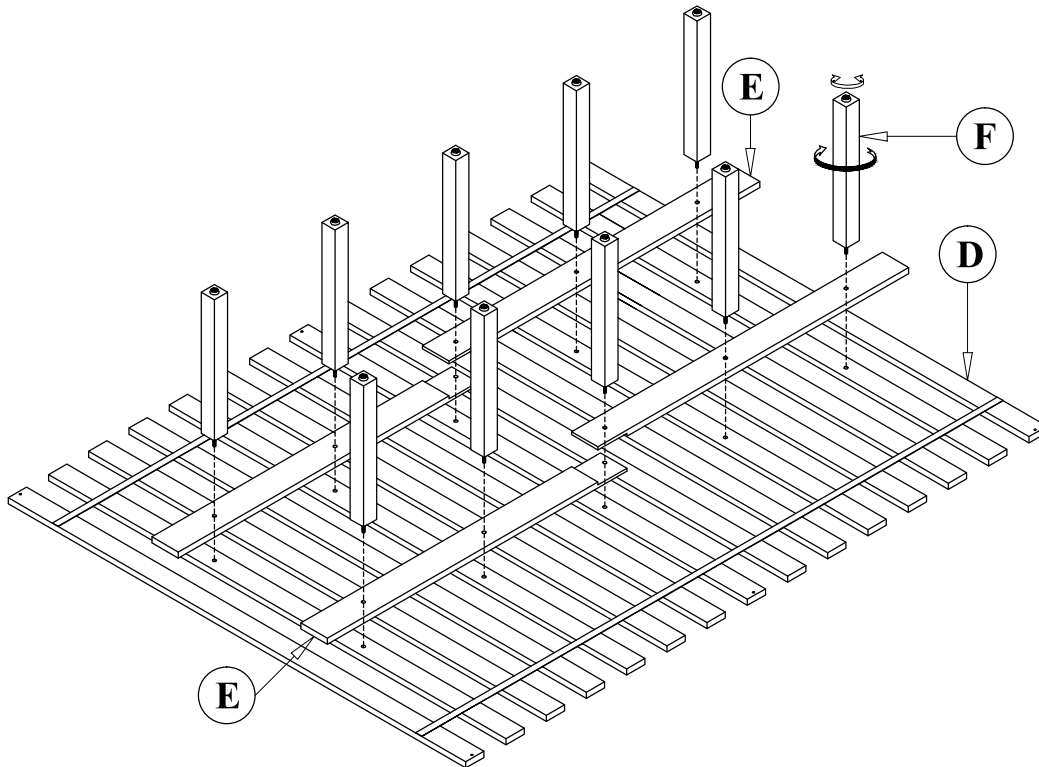


**STEP 3**

**6=4pcs**  
**7=4pcs**  
**8=4pcs**

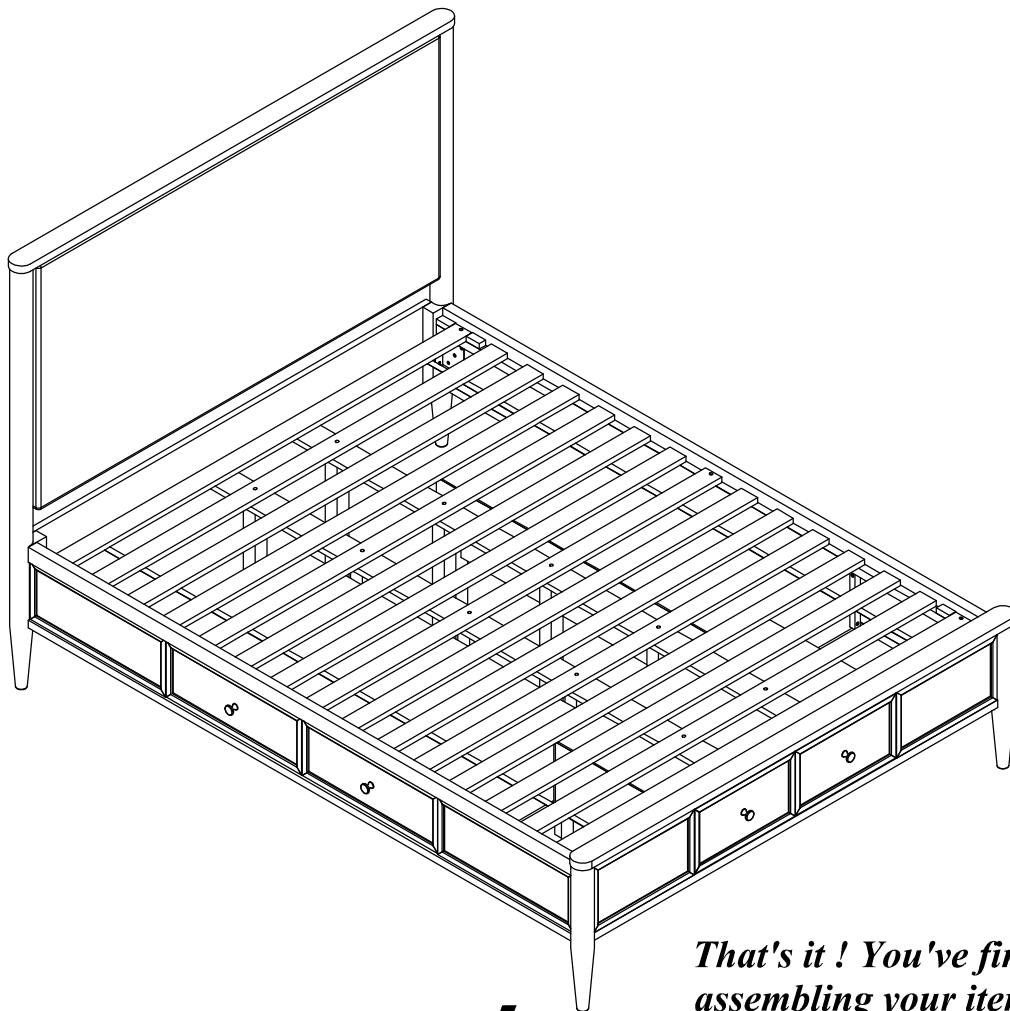
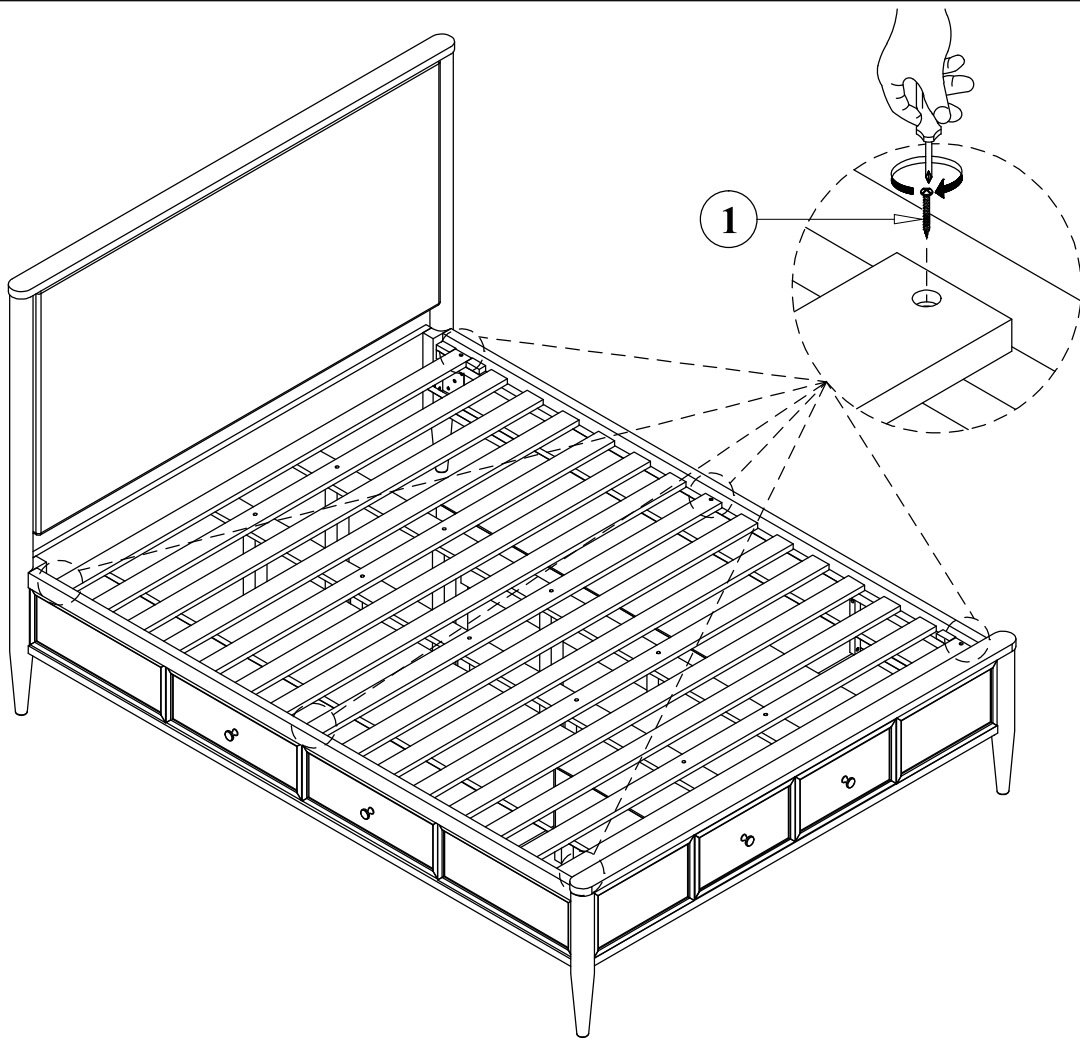


**STEP 4**



STEP 5

1=6pcs



5

*That's it ! You've finished assembling your item. Thank you!*