



LIVING SPACES

# ASSEMBLY INSTRUCTIONS

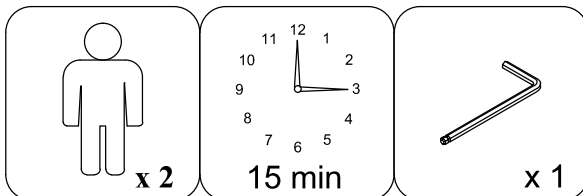
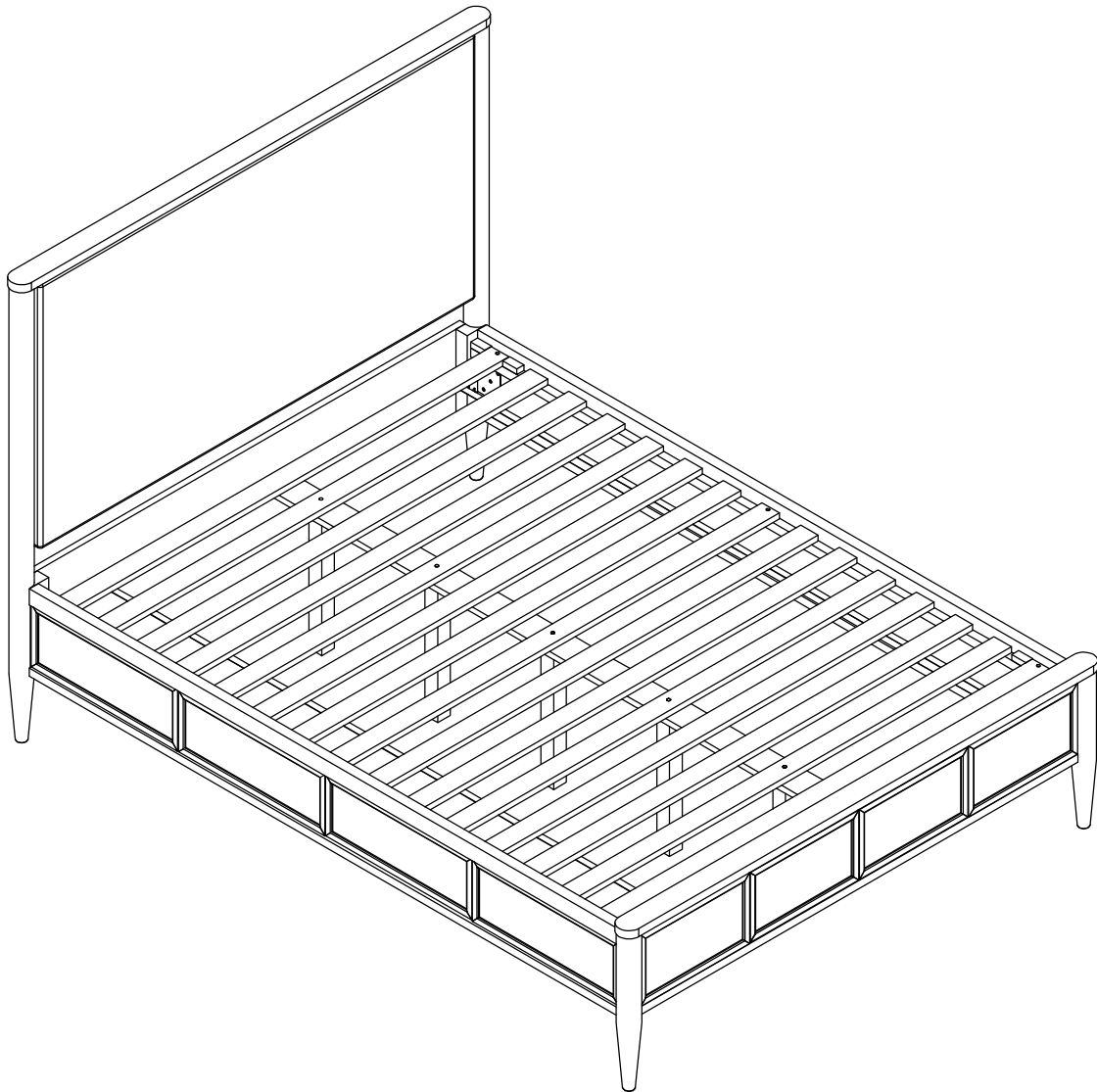
**AUSTEN WHITE QUEEN UPH BED**

SKU:346528/346515/346637


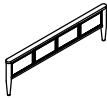
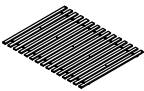
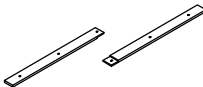
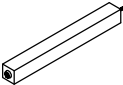
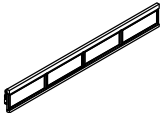
**AUSTEN WHITE QUEEN PANEL BED**

SKU:346047/346515/346637


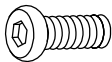


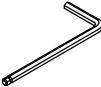
NO	COMPONENT'S SKU	QUANTITY (Cartons)
1	346528/346047	1
2	346515	1
3	346637	1



1

PART	COMPONENT'S SKU	PART LIST Number	IMAGE	DESCRIPTION	QTY
Ⓐ	346528/346047	346528/346047		Head Board	1
Ⓑ	346515	346515-01		Foot Board	1
Ⓒ		346515-02		Slat	1 set
Ⓓ		346515-03		Middle Support Bar	2
Ⓔ		346515-04		Support With Leveler	5
Ⓕ		346637	346637-01		Side Rail

#### Hardware List

PART	COMPONENT'S SKU	Hardware List	IMAGE	DESCRIPTION	QTY
①	346515	346515-A01		Screw #8* 30mm	6
②	346637	346637-A01		Bolts 5/16" *25mm	8
③		346637-A02		Spring Washer 5/16" Dia	8
④		346637-A03		Flat Washer 5/16" * Dia	8
⑤		346637-A04		Allen key	1

#### THE HARDWARE IS LOCATED IN THE PACKING ITEM

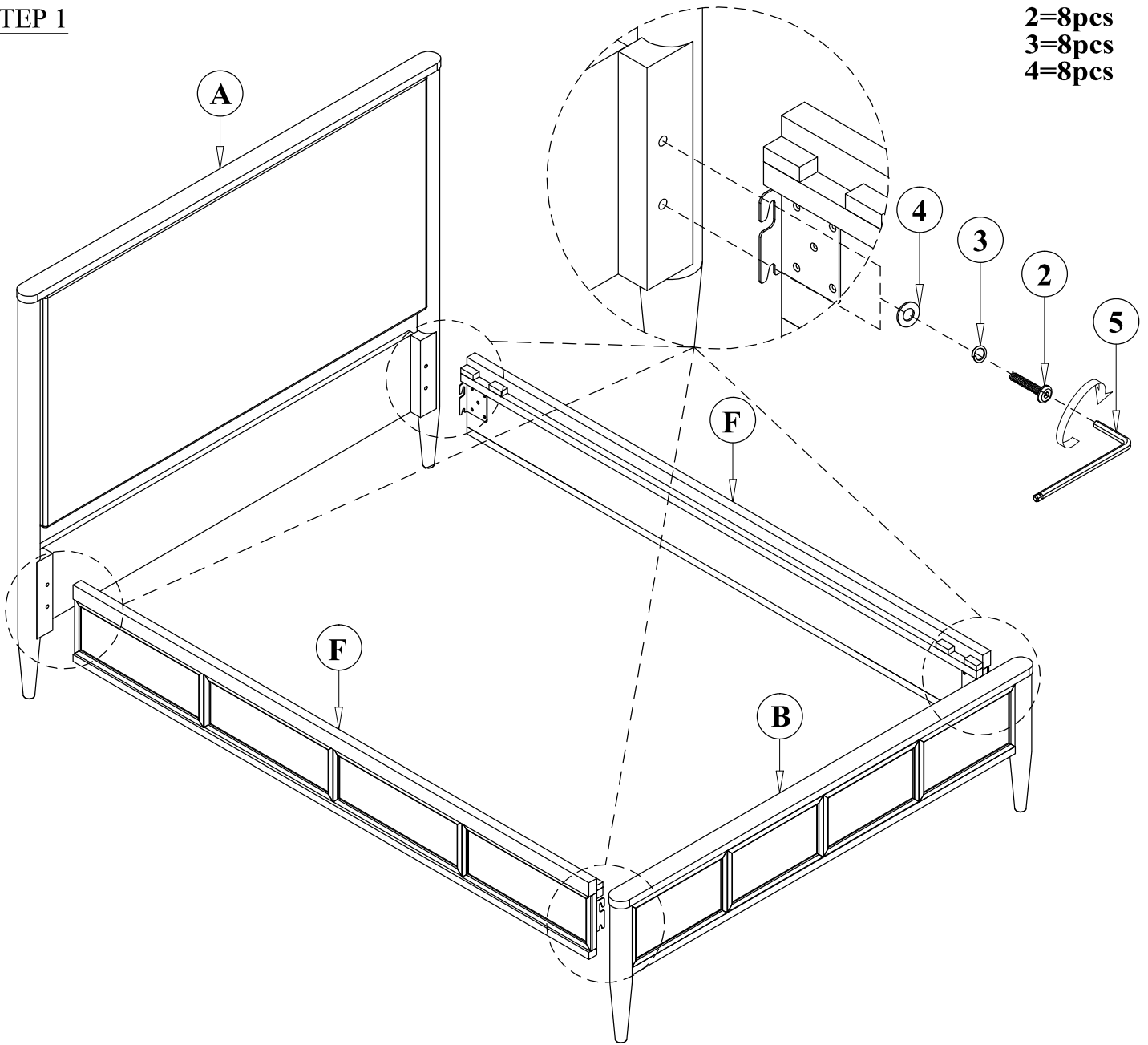
**MUST: TIGHTEN SCREWS PERIODIACLLY. WITH USE SCREW MAY ENCOME LOOSE CHECK TIGHTNESS OF ALL SCREWS EVERY 6-8 WEEKS.**

#### CLEANING INSTRUCTIONS:

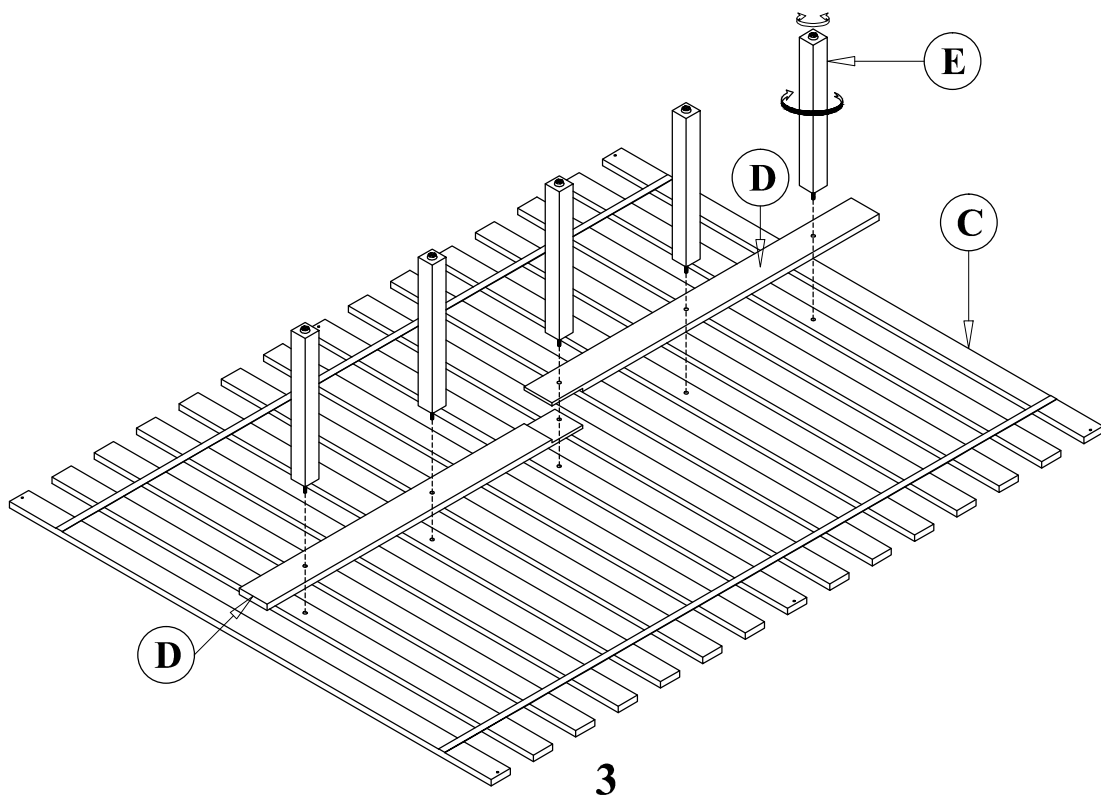
**After assembly, clean and polish the completed parts if necessary with soft cloth and industrial recognized furniture polish.**

STEP 1

2=8pcs  
3=8pcs  
4=8pcs

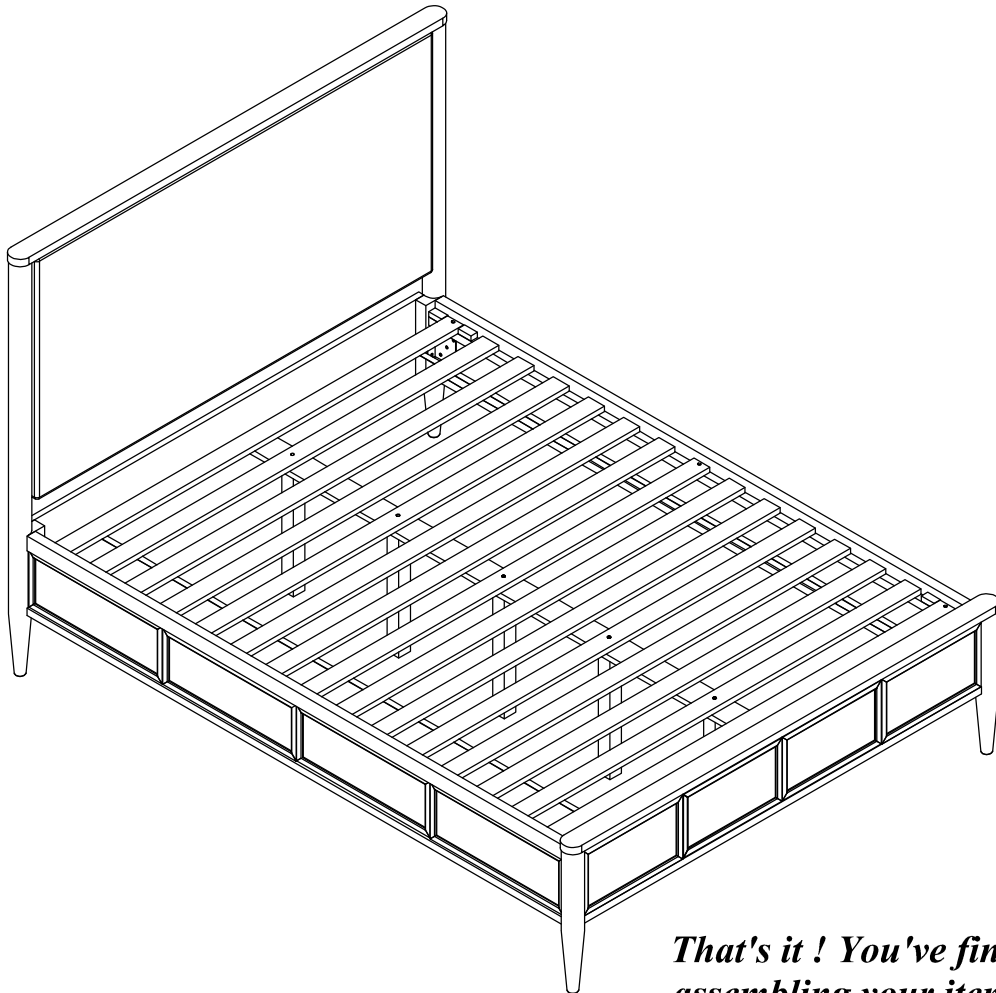
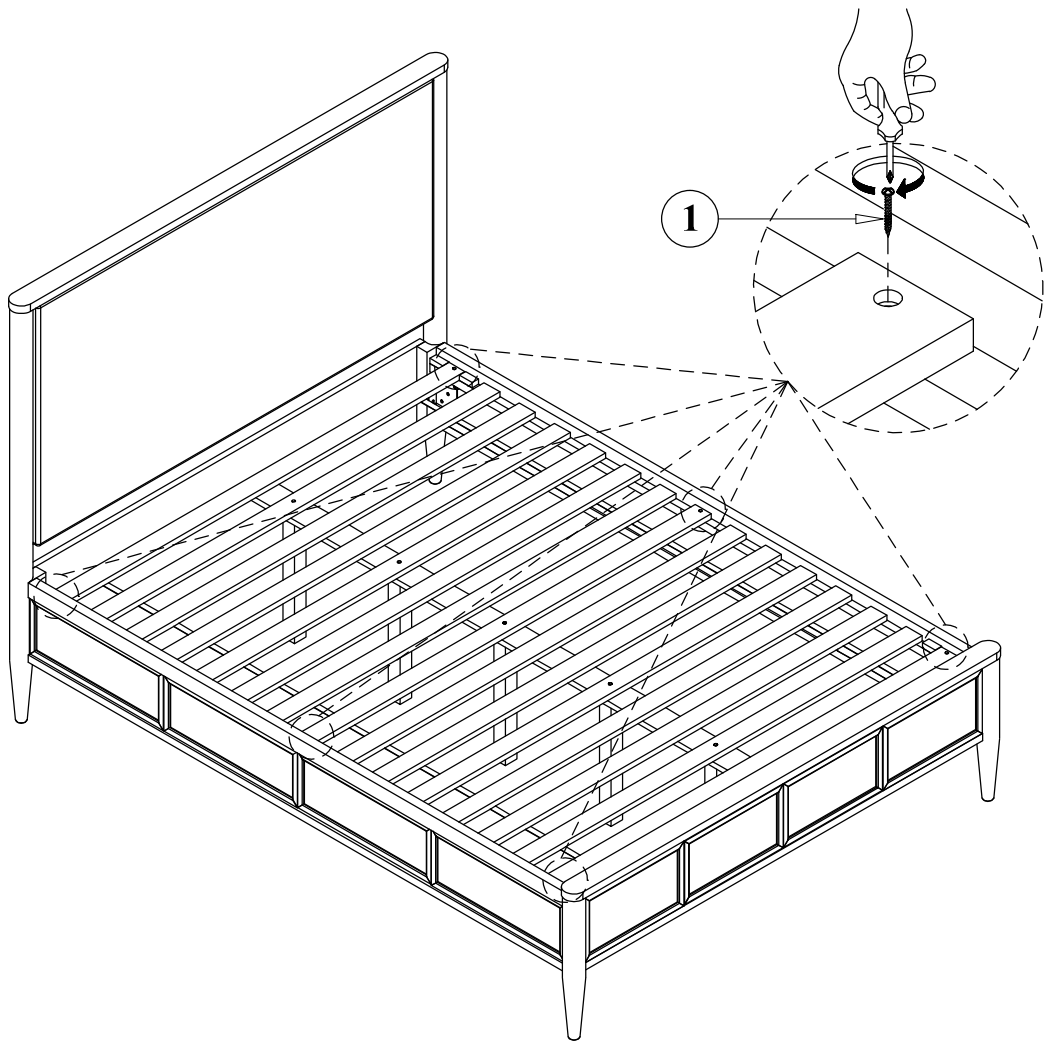


STEP 2



STEP 3

1=6pcs



*That's it ! You've finished  
assembling your item. Thank you!*