



LIVING SPACES

ASSEMBLY INSTRUCTIONS

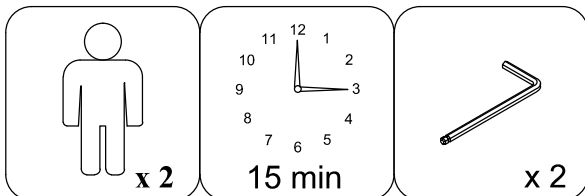
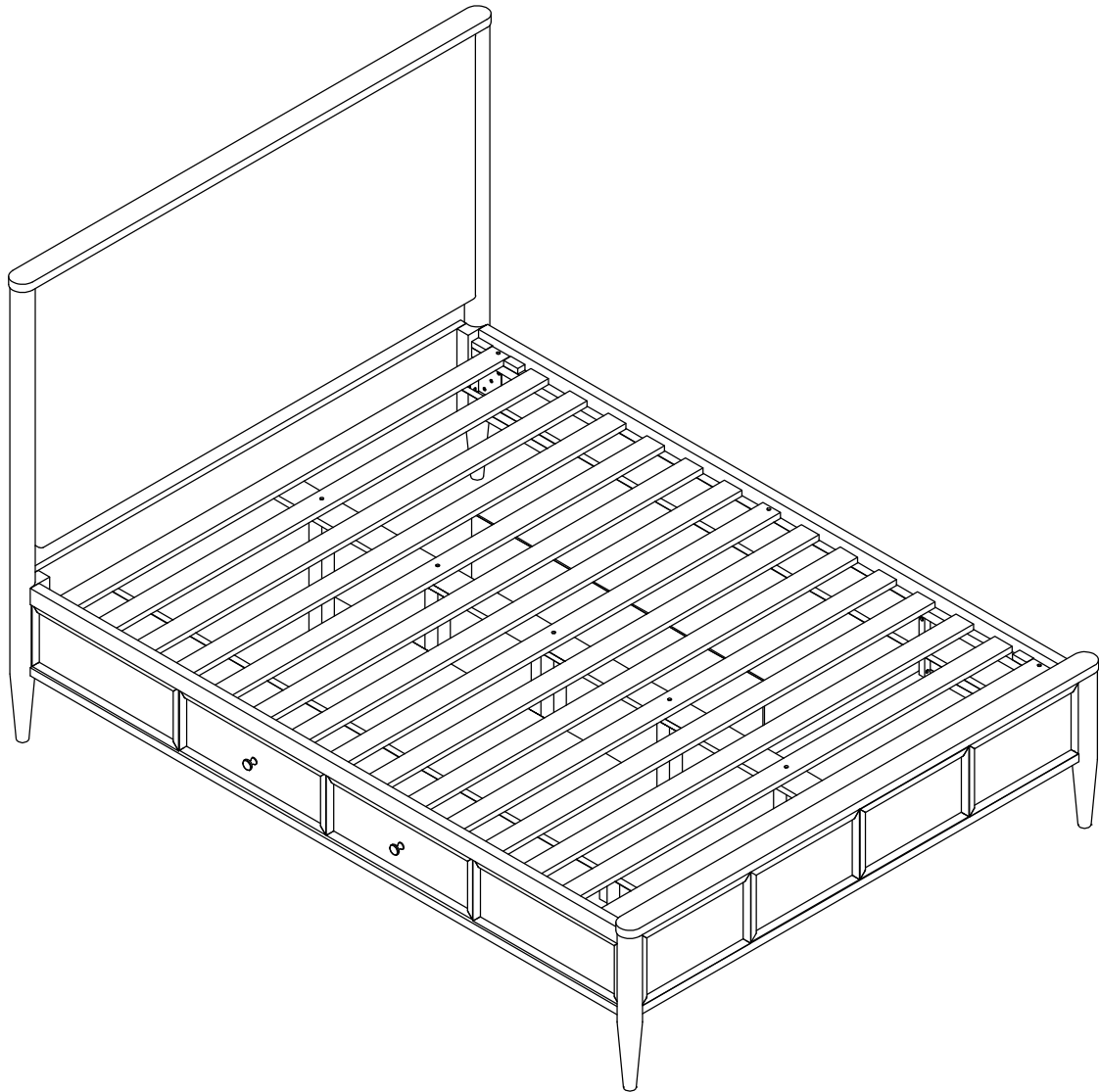
AUSTEN WHITE QUEEN UPH BED W/ SIDE STORAGE

SKU:346528/346515/**346268**



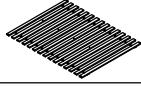
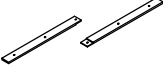
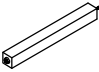
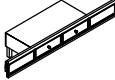
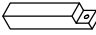
AUSTEN WHITE QUEEN PANEL BED W/ SIDE STORAGE

SKU:346047/346515/**346268**









NO	COMPONENT'S SKU	QUANTITY (Cartons)
1	346528/346047	1
2	346515	1
3	346268	2



1

PART	COMPONENT'S SKU	PART LIST Number	IMAGE	DESCRIPTION	QTY
(A)	346528/346047	346528/346047		Head Board	1
(B)	346515	346515-01		Foot Board	1
(C)		346515-02		Slat	1 set
(D)		346515-03		Middle Support Bar	2
(E)		346515-04		Support With Leveler	5
(F)		346268	346268-01		Storage Side Rail
(G)	346268-02			Side Rail back leg	2

Hardware List

PART	COMPONENT'S SKU	Hardware List	IMAGE	DESCRIPTION	QTY
(1)	346515	346515-A01		Screw #8* 30mm	6
(2)	346268	346268-A01		Bolts 1/4" *38mm	2
(3)		346268-A02		Spring Washer 1/4"*11mm	2
(4)		346268-A03		Flat Washer 1/4" *19mm	2
(5)		346268-A04		Bolts 5/16" *25mm	4
(6)		346268-A05		Spring Washer 5/16" Dia	4
(7)		346268-A06		Flat Washer 5/16" * Dia	4
(8)		346268-A07		Allen key	1

THE HARDWARE IS LOCATED IN THE PACKING ITEM

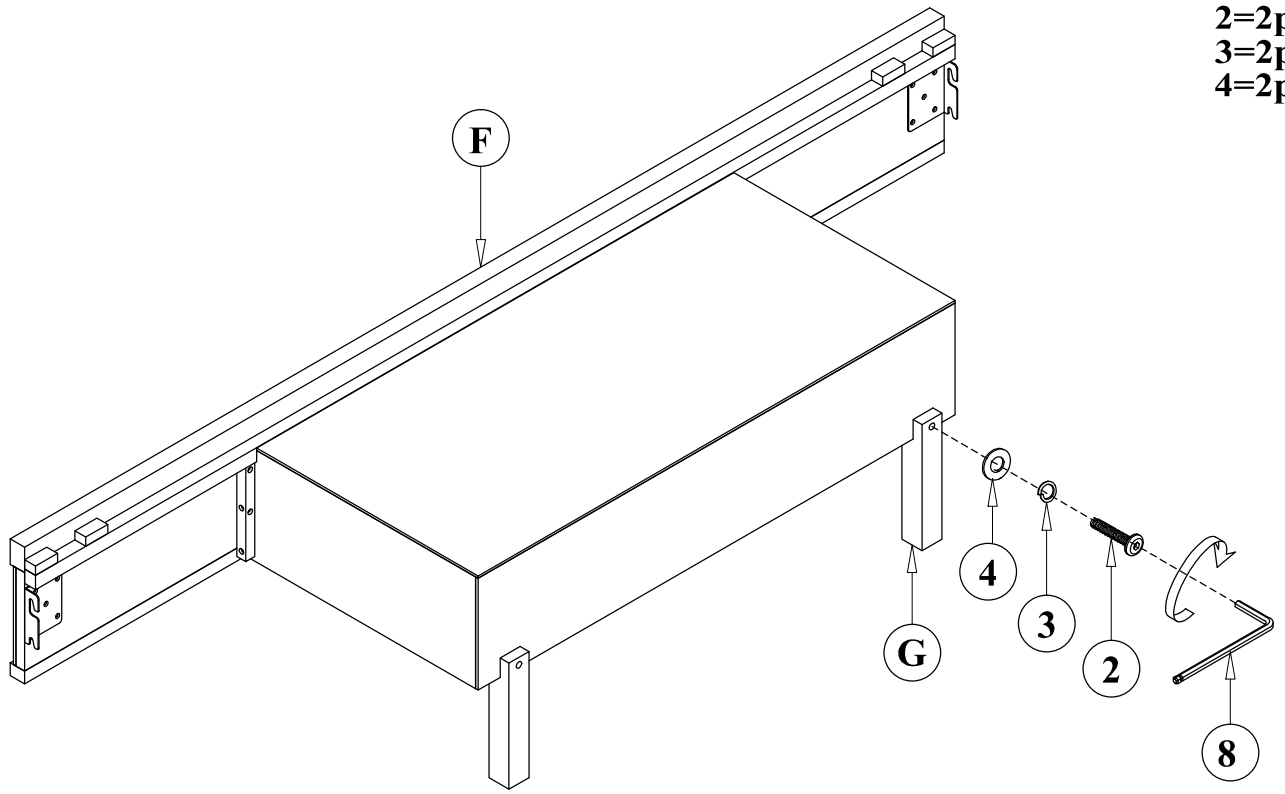
MUST: TIGHTEN SCREWS PERIODIACLLY. WITH USE SCREW MAY ENCOME LOOSE CHECK TIGHTNESS OF ALL SCREWS EVERY 6-8 WEEKS.

CLEANING INSTRUCTIONS:

After assembly, clean and polish the completed parts if necessary with soft cloth and industrial recognized furniture polish.

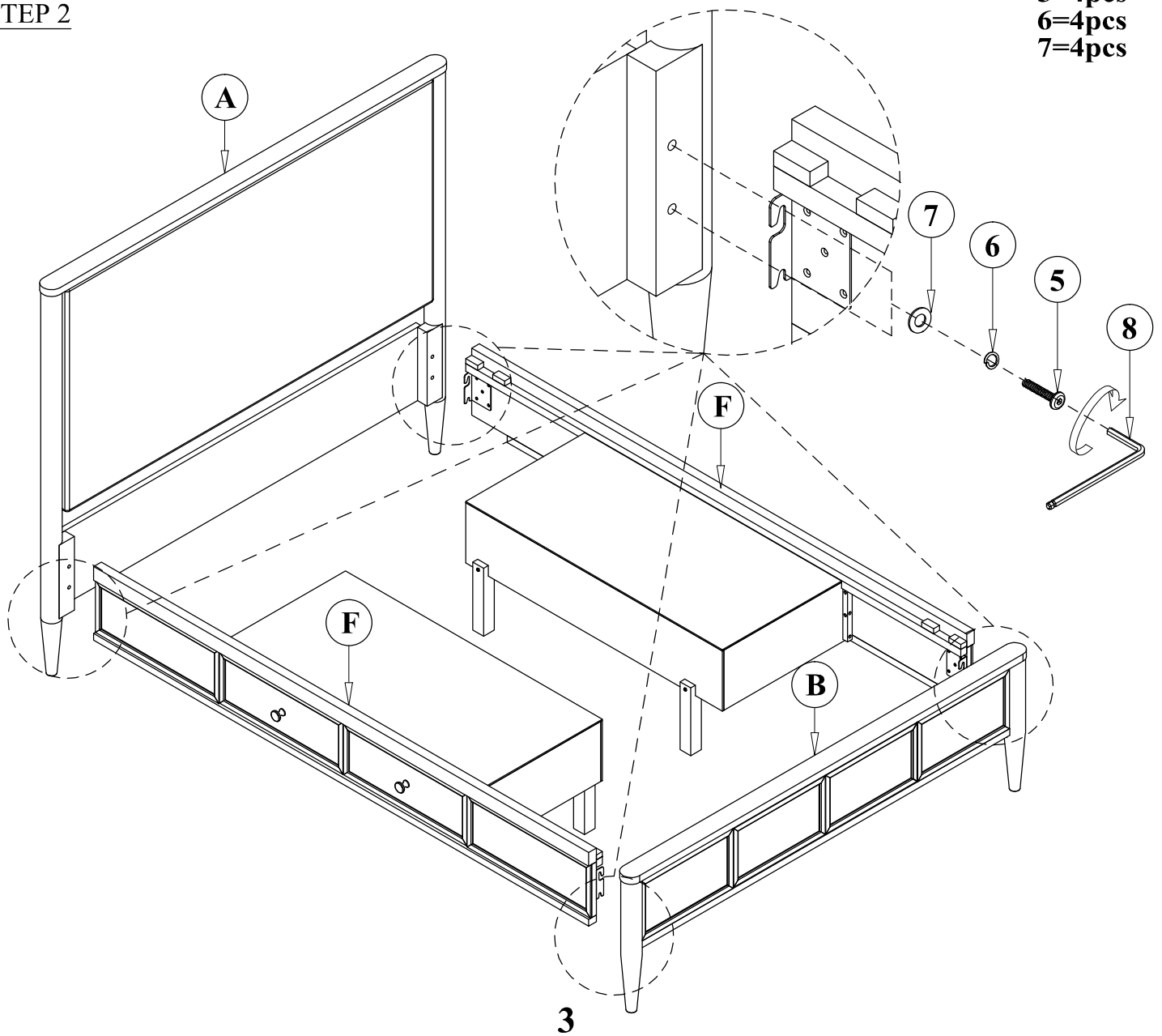
STEP 1

2=2pcs
3=2pcs
4=2pcs

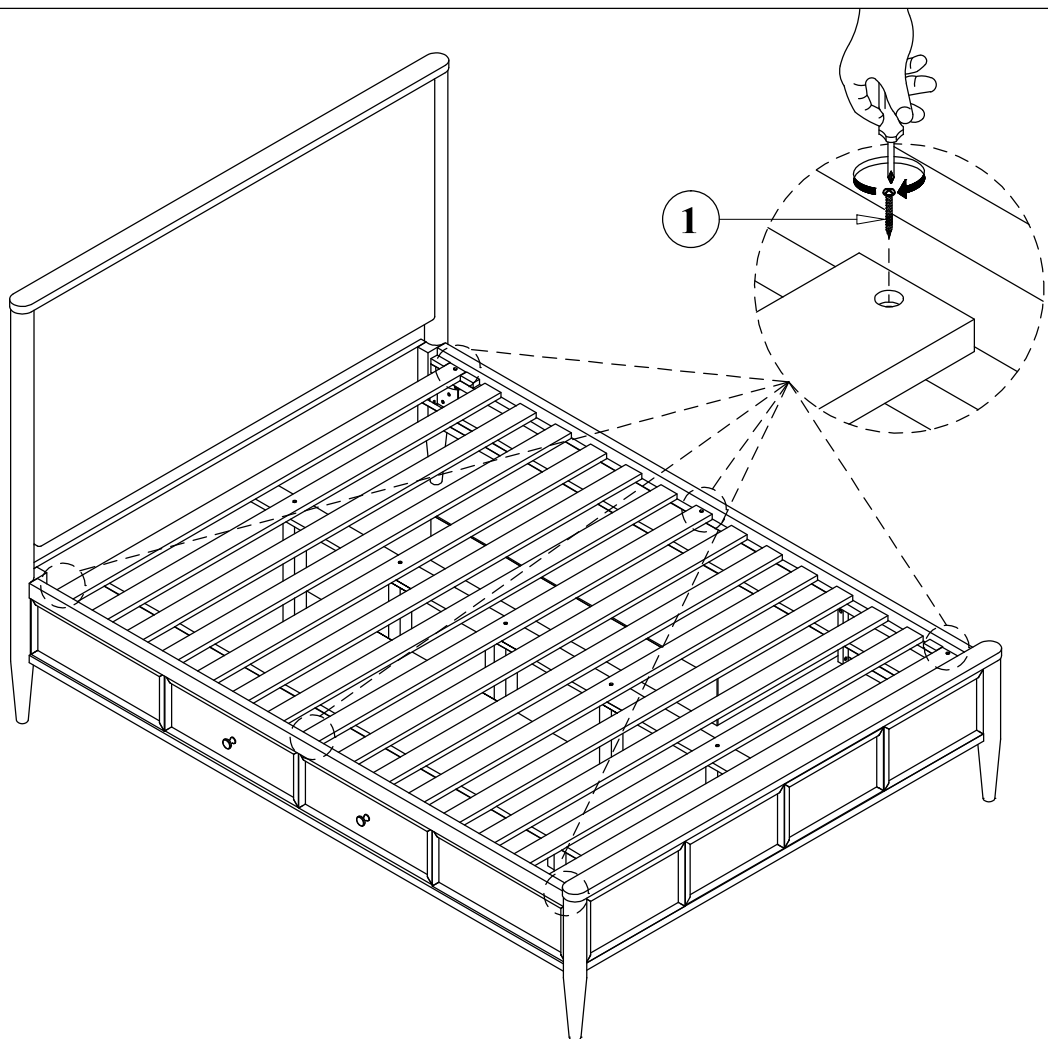
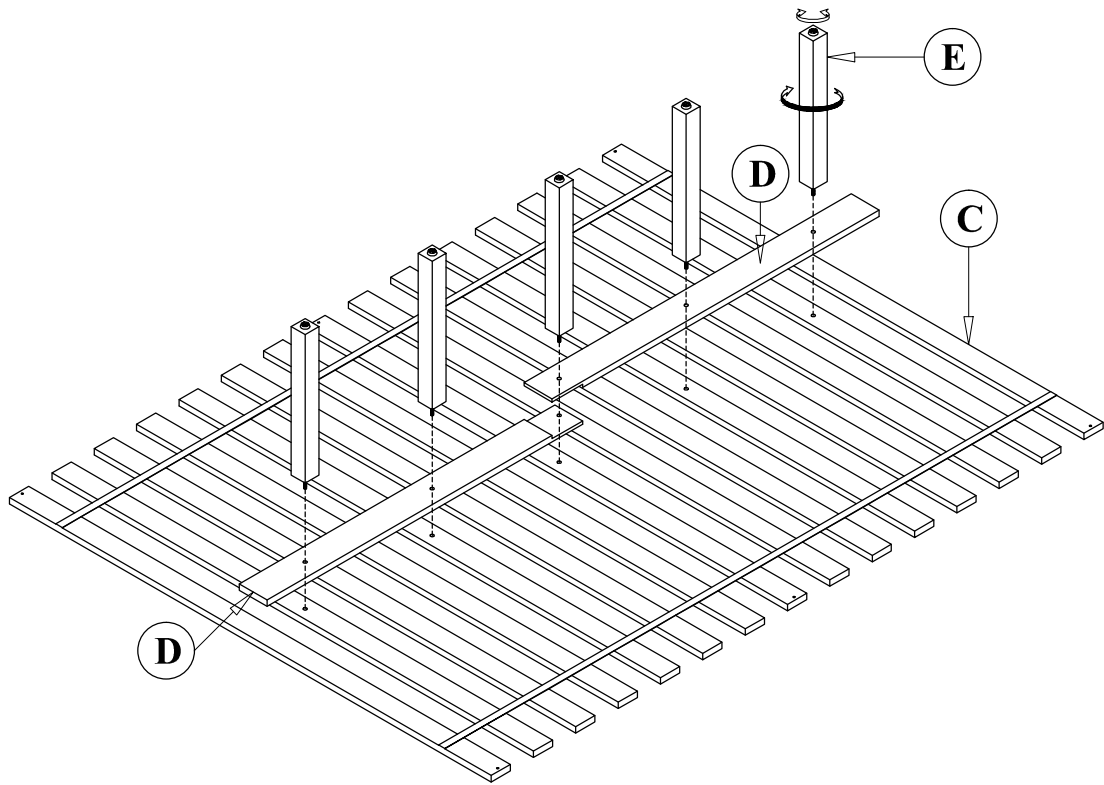


STEP 2

5=4pcs
6=4pcs
7=4pcs



STEP 3



1=6pcs

***That's it ! You've finished
assembling your item. Thank you!***