



LIVING SPACES

ASSEMBLY INSTRUCTIONS

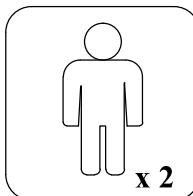
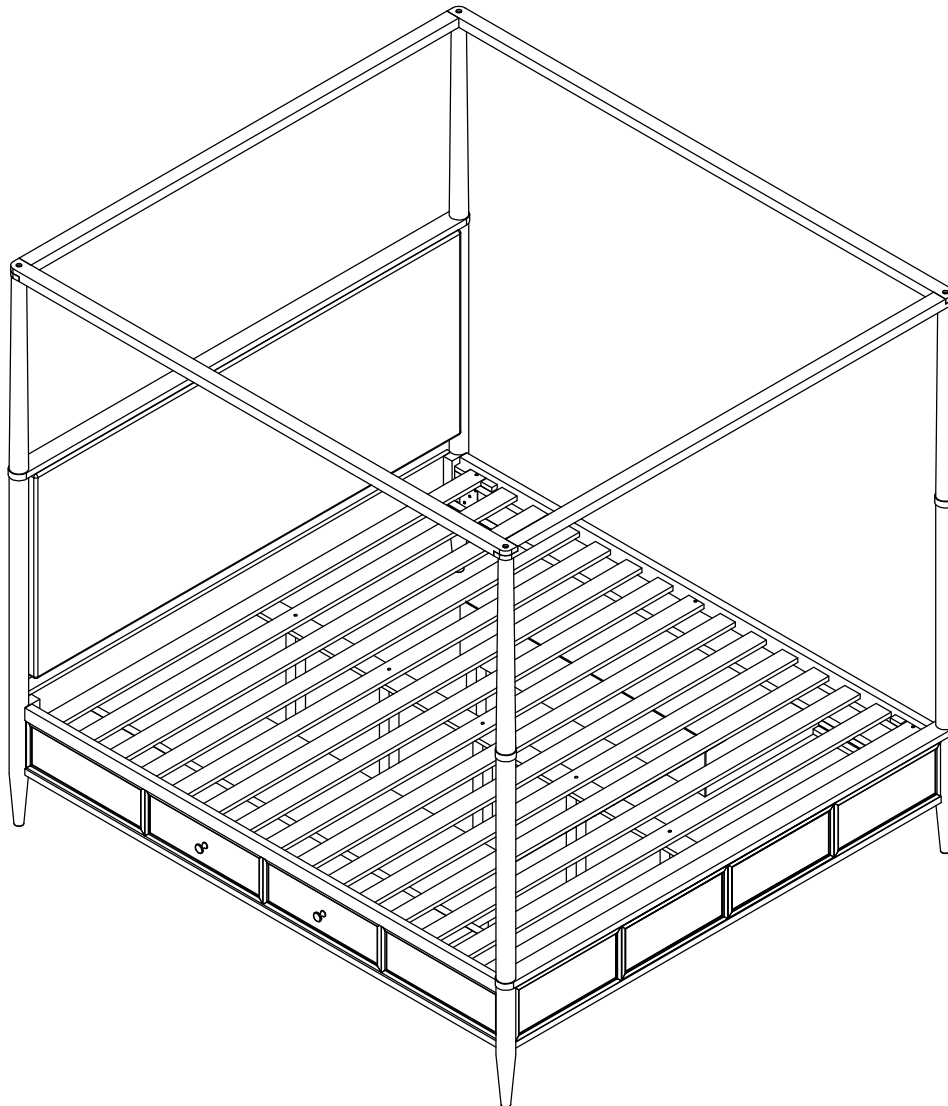
**AUSTEN WHITE QUEEN CANOPY
UPH BED W/ SIDE STORAGE**

SKU:346576/346577/346268/346192

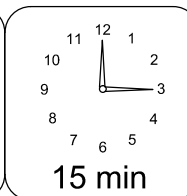
**AUSTEN WHITE QUEEN CANOPY
PANEL BED W/ SIDE STORAGE**

SKU:3346118/346577/346268/346192

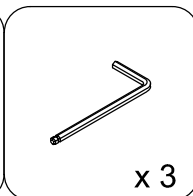
NO	COMPONENT'S SKU	QUANTITY (Cartons)
1	346576/346118	1
2	346577	1
3	346268	2
4	346192	1



x 2

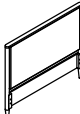

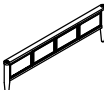
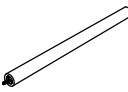
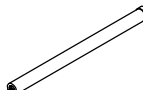
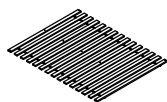
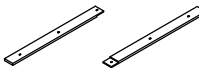
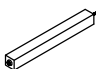
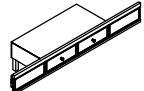
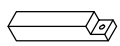




15 min

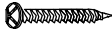













x 3

1

PART	COMPONENT'S SKU	PART LIST Number	IMAGE	DESCRIPTION	QTY
(A)	346576/346118	346576-01 346118-01		Head Board	1
(B)		346576-02 346118-02		Head Board Posts canopy	2
(C)	346577	346577-01		Foot Board	1
(D)		346577-02		Foot Board Posts canopy	2
(E)		346577-03		Foot Board Posts canopy	2
(F)		346577-04		Slat	1set
(G)		346577-05		Middle Support Bar	2
(H)		346577-06		Support With Leveler	5
(I)	346268	346268-1		Storage Side Rail	1
(J)		346268-02		Side Rail back leg	2
(K)	346192	346192-01		Head Board/Foot Board canopy	2
(L)		346192-02		Lift/Right canopy rail	2

Hardware List

PART	COMPONENT'S SKU	Hardware List	IMAGE	DESCRIPTION	QTY
①	346577	346578-A01		Screw #8* 30mm	6
②	346268	346268-A01		Bolts 1/4" * 38mm	2
③		346268-A02		Spring Washer 1/4"*11mm	2
④		346268-A03		Flat Washer 1/4" *19mm	2
⑤		346268-A04		Bolts 5/16" * 25mm	4
⑥		346268-A05		Spring Washer 5/16" Dia	4
⑦		346268-A06		Flat Washer 5/16" * Dia	4
⑧		346268-A07		Allen key	1
⑨		346192	346192-A01		Bolts 5/16" * 60mm
⑩	346192-A02			Spring Washer 5/16" Dia	4
⑪	346192-A03			Flat Washer 5/16" * Dia	4
⑫	346192-A04			Allen key	1

THE HAEDWARE IS LOCATED IN THE PACKING ITEM

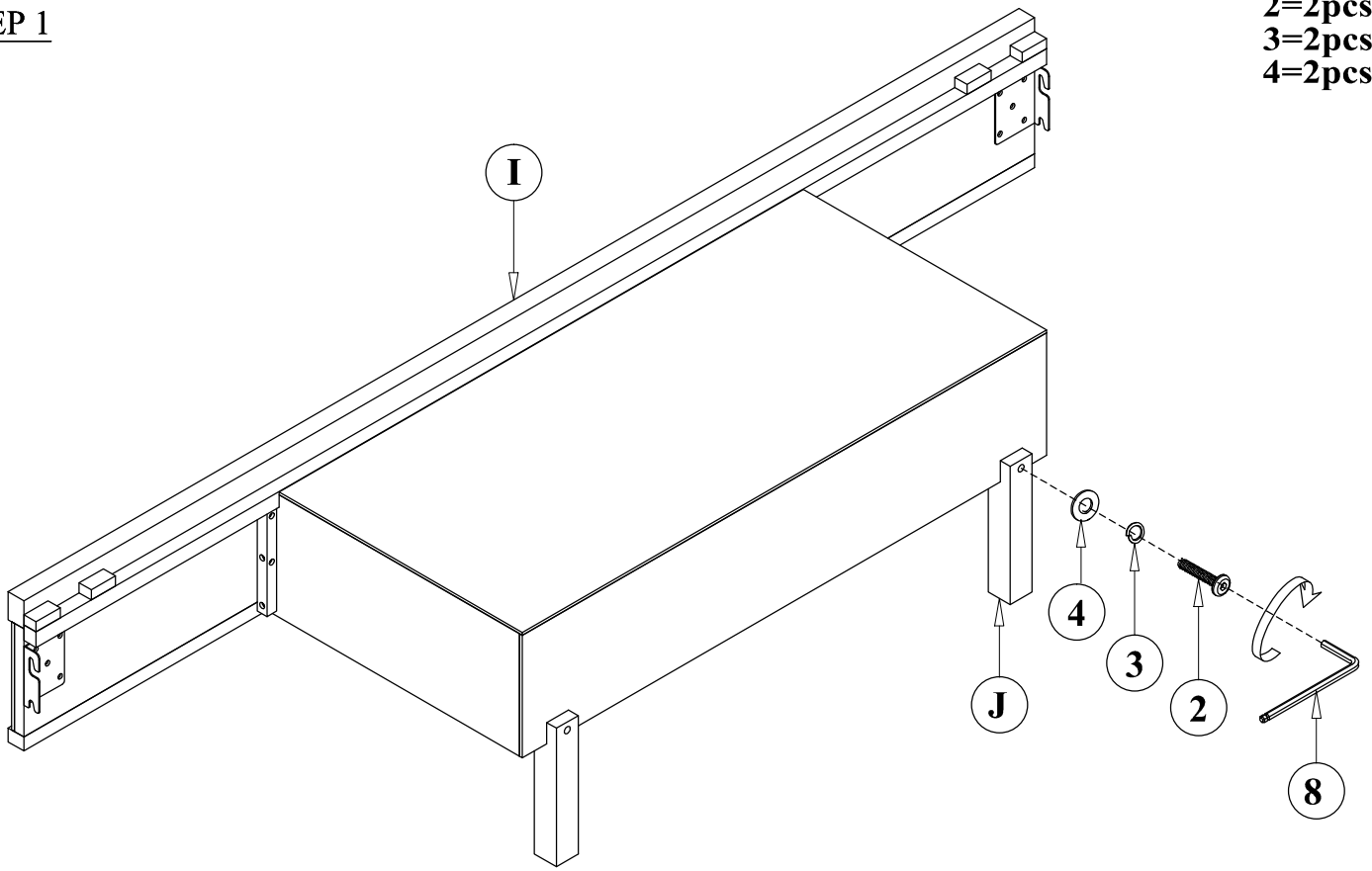
**MUST: TIGHTEN SCREWS PERIODIACLLY. WITH USE SCREW
MAY ENCOME LOOSE CHECK TIGHTNESS OF ALL SCREWS EVERY 6-8
WEEKS.**

CLEANING INSTRUCTIONS:

**After assembly, clean and polish the completed parts if necessary with
soft cloth and industrial recognized furniture polish.**

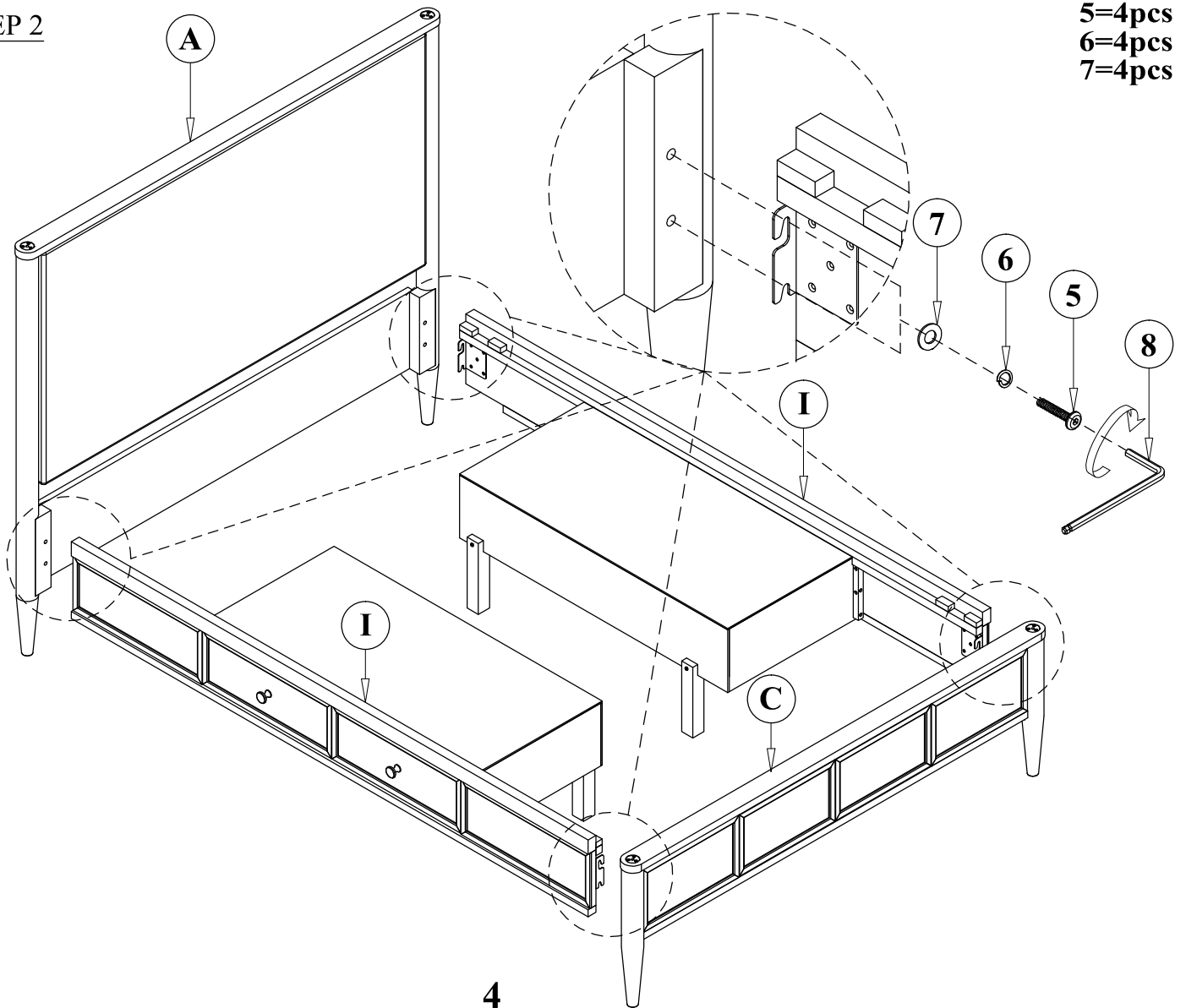
STEP 1

2=2pcs
3=2pcs
4=2pcs

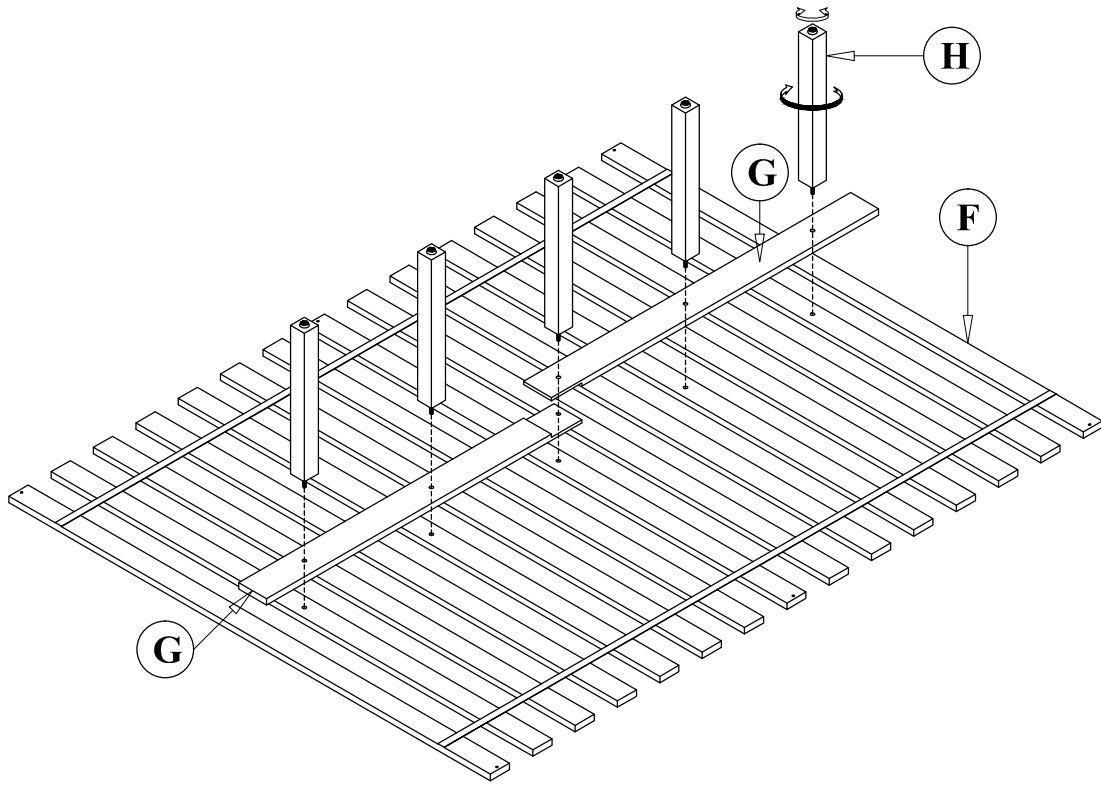


STEP 2

5=4pcs
6=4pcs
7=4pcs

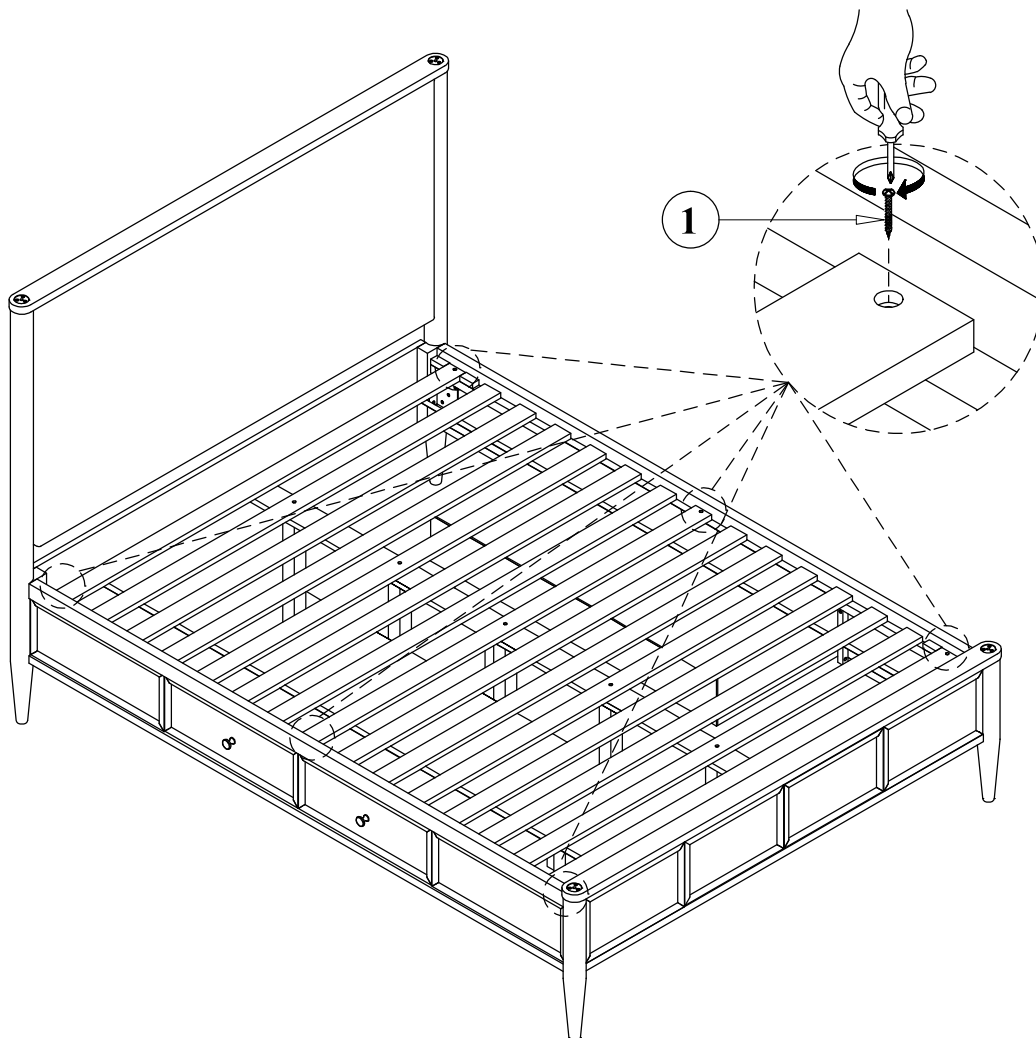


STEP 3

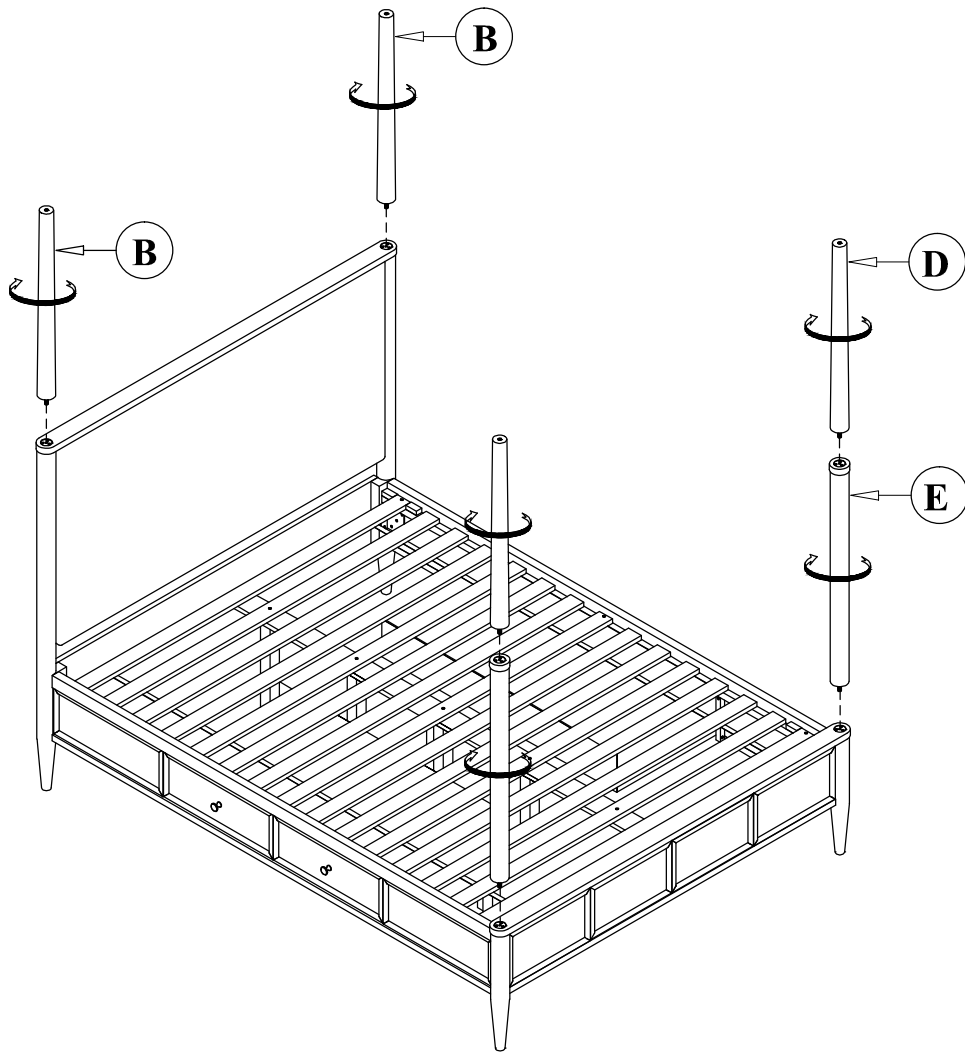


STEP 4

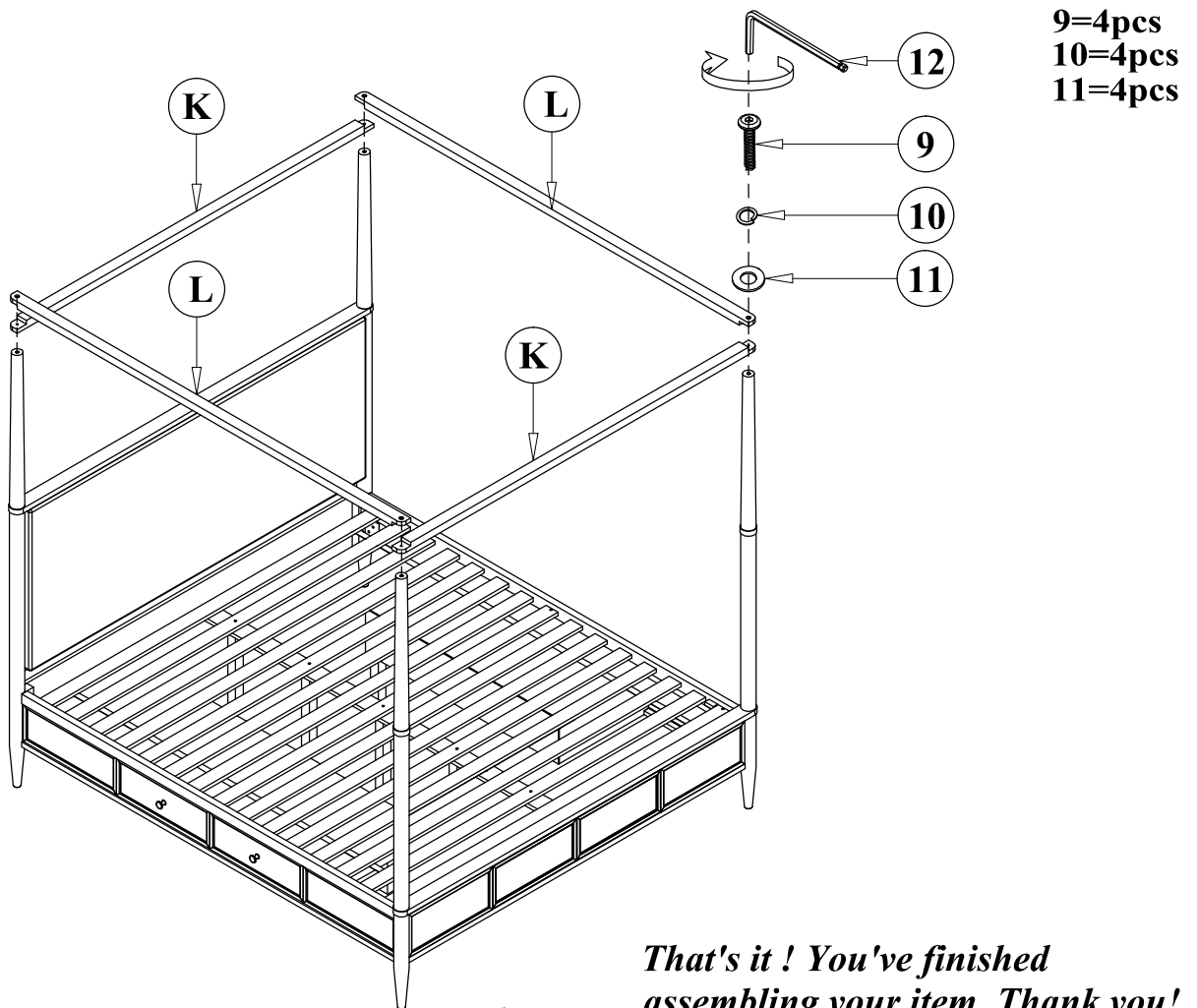
1=6pcs



STEP 5



STEP 6



*That's it ! You've finished
assembling your item. Thank you!*