



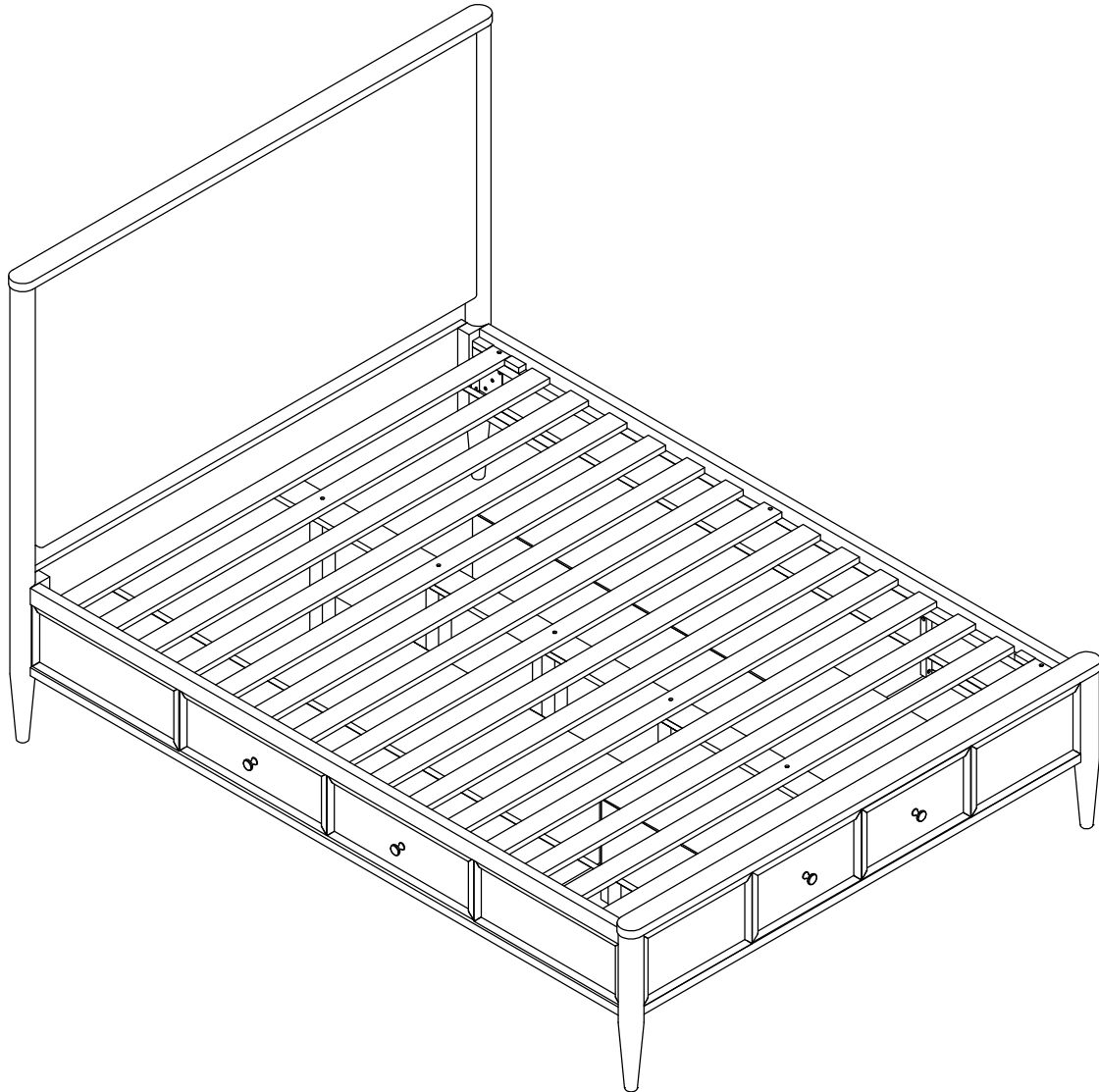
LIVING SPACES


ASSEMBLY INSTRUCTIONS

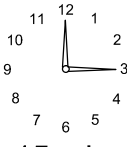
AUSTEN WHITE QUEEN UPH BED W/ SIDE & FOOTBOARD STORAGE SKU:346528/346119/346268

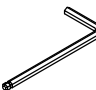
AUSTEN WHITE QUEEN PANEL BED W/ SIDE & FOOTBOARD STORAGE SKU:346047/346119/346268


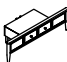
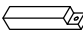
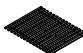

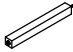

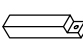
NO	COMPONENT'S SKU	QUANTITY (Cartons)
1	346528/346047	1
2	346119	1
3	346268	2






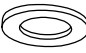

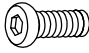




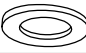

 x 2

 15 min

 x 3

PART	COMPONENT'S SKU	PART LIST Number	IMAGE	DECRPTION	QTY
(A)	346528/346047	346528/346047		Head Board	1
(B)	346119	346119-01		Storage Foot Board	1
(C)		346119-02		Foot Board back leg	2
(D)		346119-03		Slat	1 set
(E)		346119-04		Middle Support Bar	2
(F)		346119-05		Support With Leveler	5
(G)		346268	346268-01		Storage Side Rail
(H)	346268-02			Side Rail back leg	2

Hardware List

PART	COMPONENT'S SKU	Hardware List	IMAGE	DECRPTION	QTY
(1)	346119	346119-A01		Screw #8* 30mm	6
(2)		346119-A02		Bolts 1/4" *38mm	2
(3)		346119-A03		Spring Washer 1/4"*11mm	2
(4)		346119-A04		Flat Washer 1/4" *19mm	2
(5)		346119-A05		Allen key	1
(6)	346268	346268-A01		Bolts 5/16" *25mm	4
(7)		346268-A02		Spring Washer 5/16" Dia	4
(8)		346268-A03		Flat Washer 5/16" * Dia	4
(9)		346268-A04		Bolts 1/4" *38mm	2
(10)		346268-A05		Spring Washer 1/4"*11mm	2
(11)		346268-A06		Flat Washer 1/4" *19mm	2
(12)		346268-A07		Allen key	1

THE HAEDWARE IS LOCATED IN THE PACKING ITEM

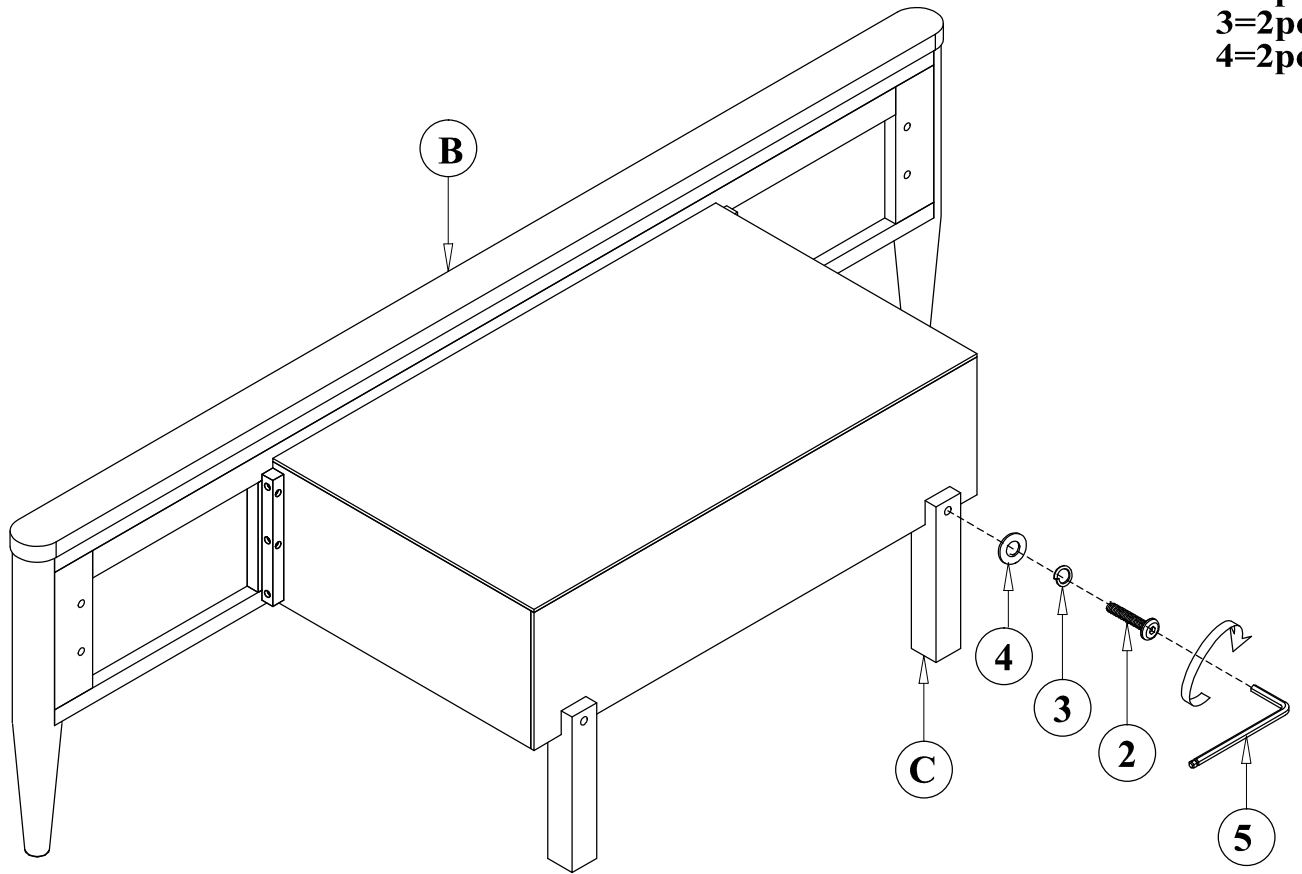
**MUST: TIGHTEN SCREWS PERIODIACLLY. WITH USE SCREW
MAY ENCOME LOOSE CHECK TIGHTNESS OF ALL SCREWS EVERY 6-8
WEEKS.**

CLEANING INSTRUCTIONS:

**After assembly, clean and polish the completed parts if necessary with
soft cloth and industrial recognized furniture polish.**

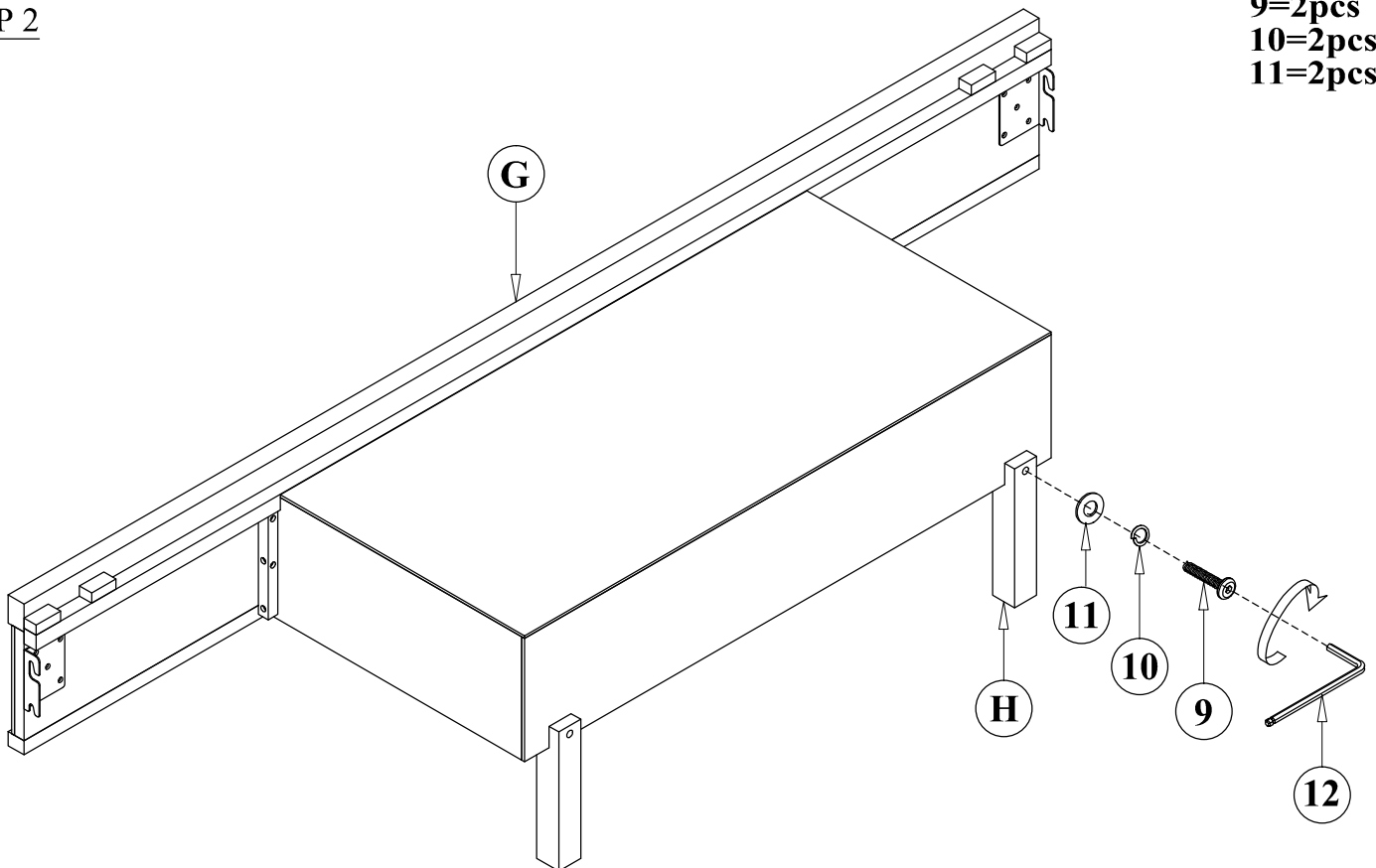
STEP 1

2=2pcs
3=2pcs
4=2pcs



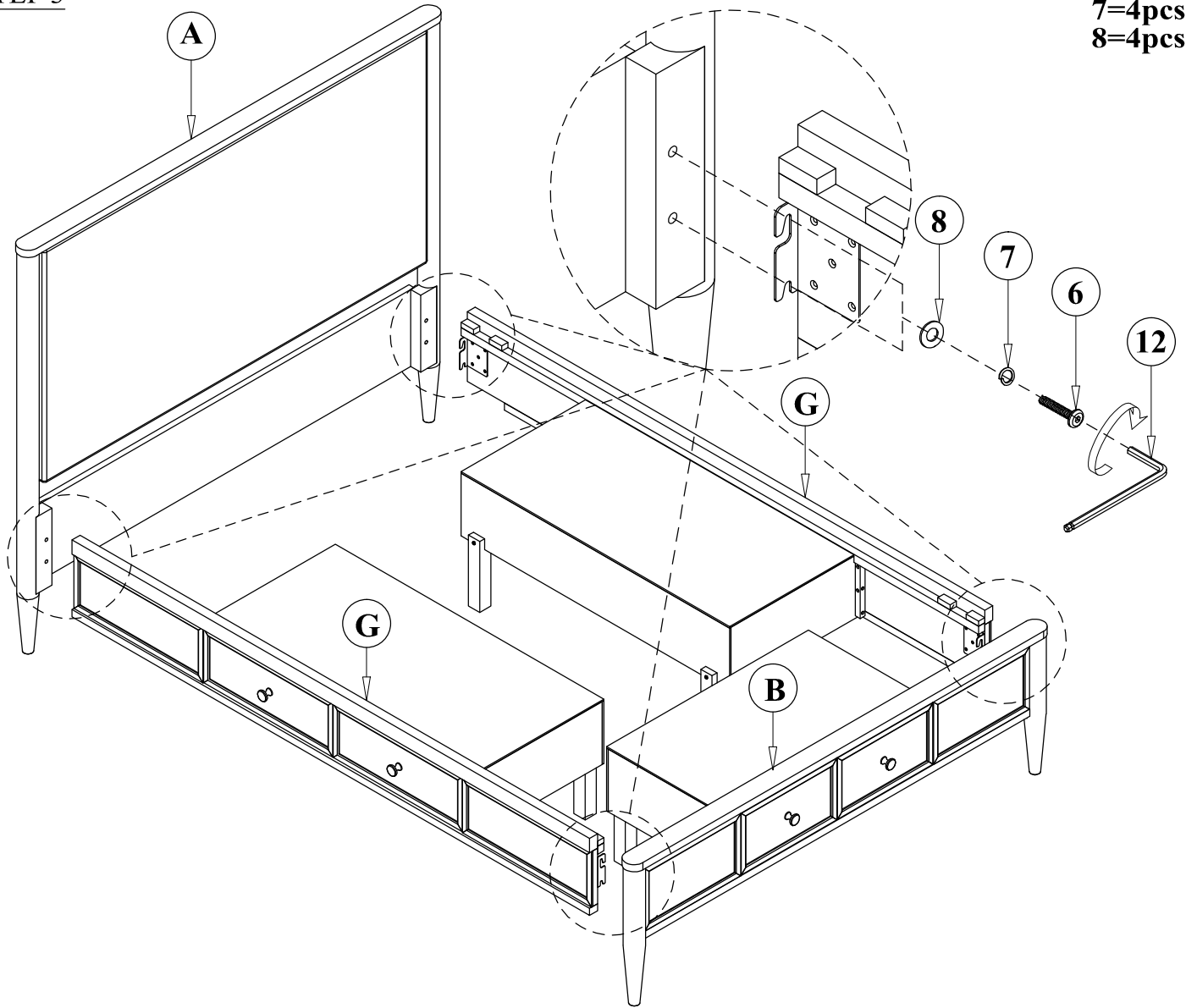
STEP 2

9=2pcs
10=2pcs
11=2pcs

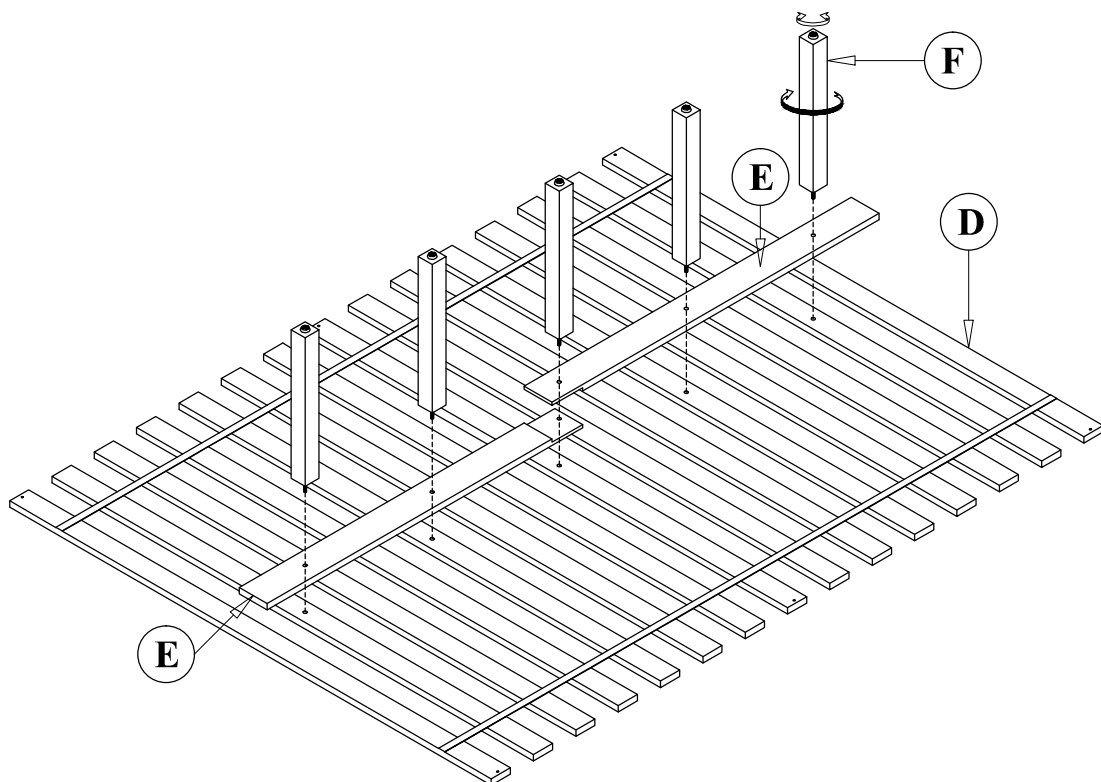


STEP 3

6=4pcs
7=4pcs
8=4pcs

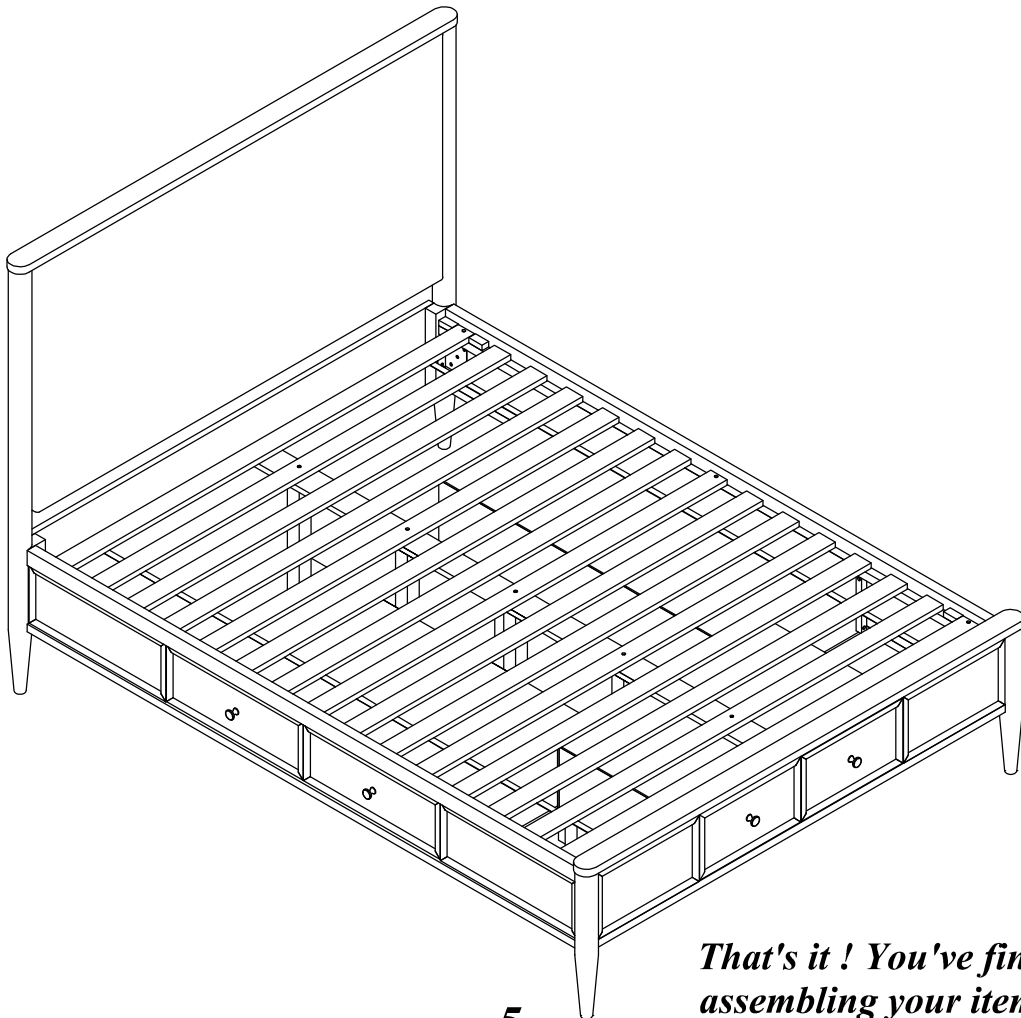
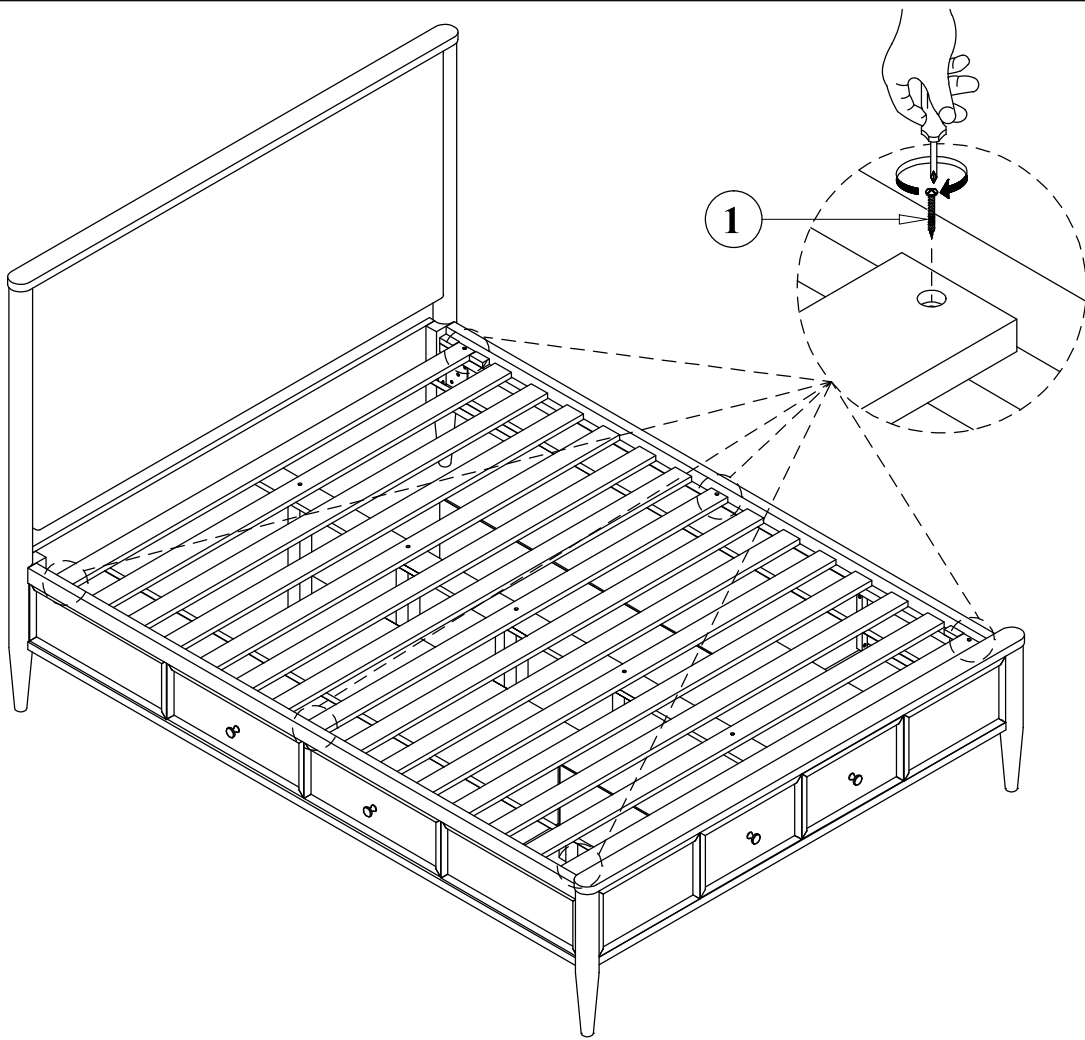


STEP 4



STEP 5

1=6pcs



5

*That's it ! You've finished
assembling your item. Thank you!*