

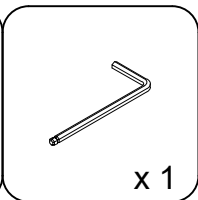
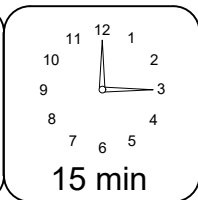
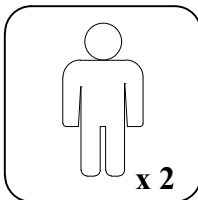
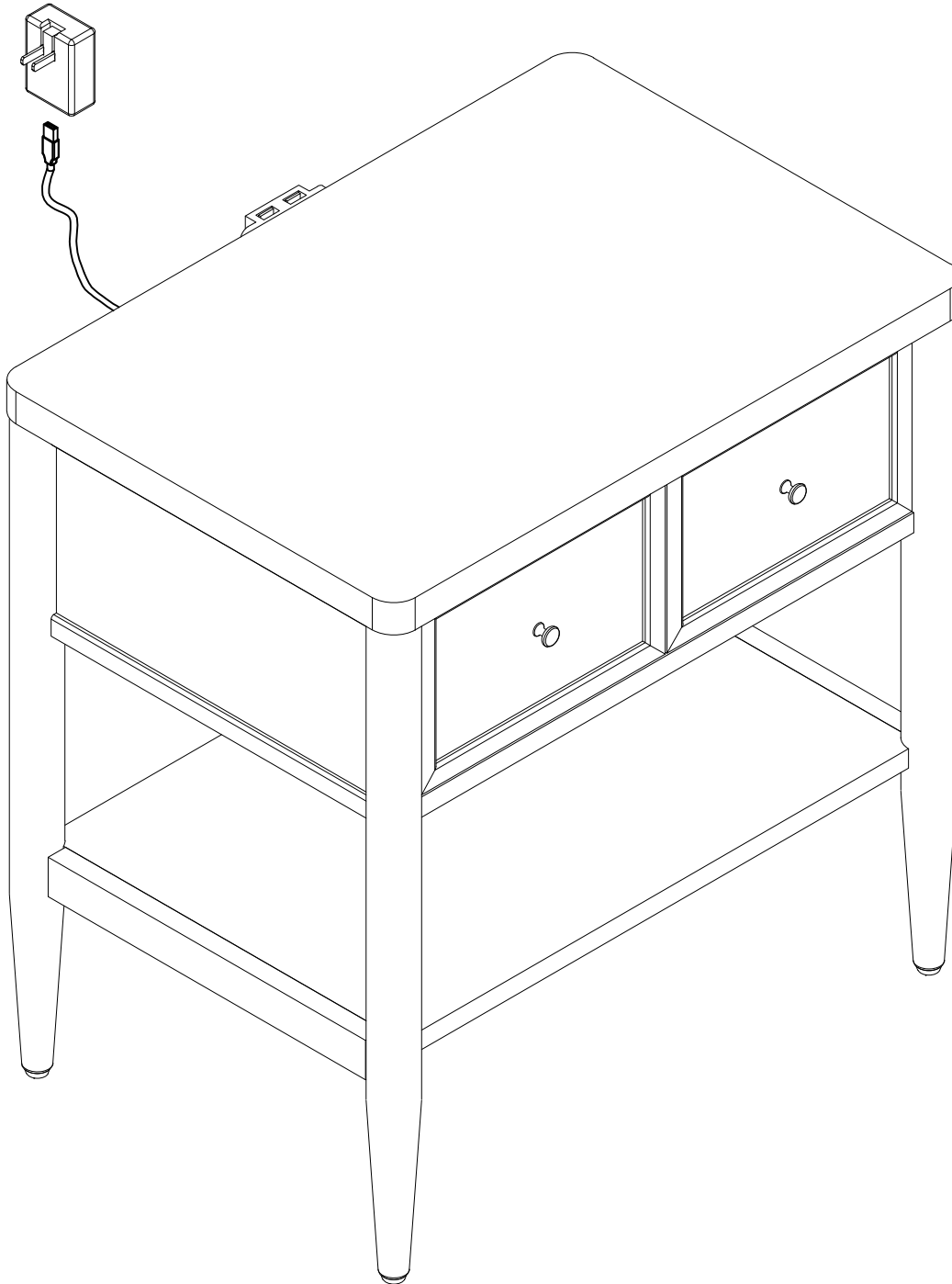


LIVING SPACES

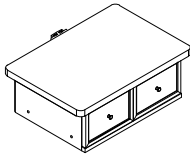
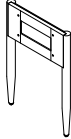
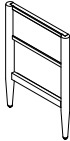
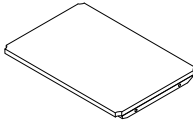
ASSEMBLY INSTRUCTIONS

AUSTEN WHITE 1 DRAWER NIGHTSTAND
ITEM NO: B2101W-101

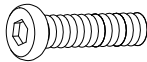
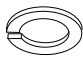
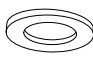
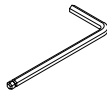
SKU:346453



1

PART	SKU#	IMAGE	DESCRIPTION	QTY
(A)	346453		Desk Top	1
(B)	346453		End assembly Right	1
(C)	346453		End assembly Left	1
(D)	346453		Shelf	1

Hardware List

PART	SKU#	IMAGE	DESCRIPTION	QTY
(1)	346453		Bolts 1/4" *35mm	12
(2)	346453		Spring Washer 1/4"*11mm	12
(3)	346453		Flat Washer 1/4"*19mm	12
(4)	346453		Allen key	1

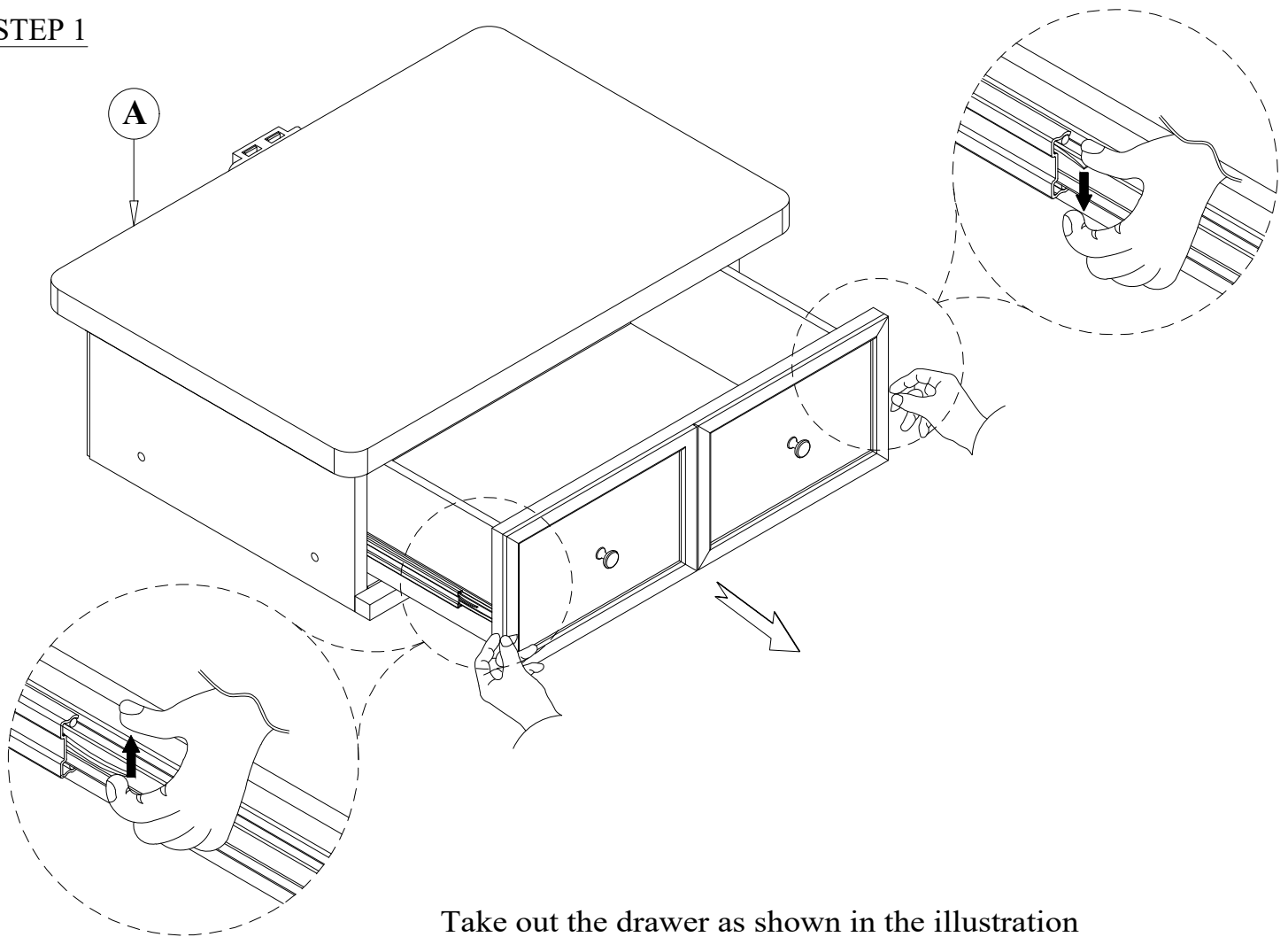
THE HARDWARE IS LOCATED IN THE PACKING ITEM

**MUST: TIGHTEN SCREWS PERIODICALLY. WITH USE SCREW
MAY ENCOME LOOSE CHECK TIGHTNESS OF ALL SCREWS EVERY 6-8
WEEKS.**

CLEANING INSTRUCTIONS:

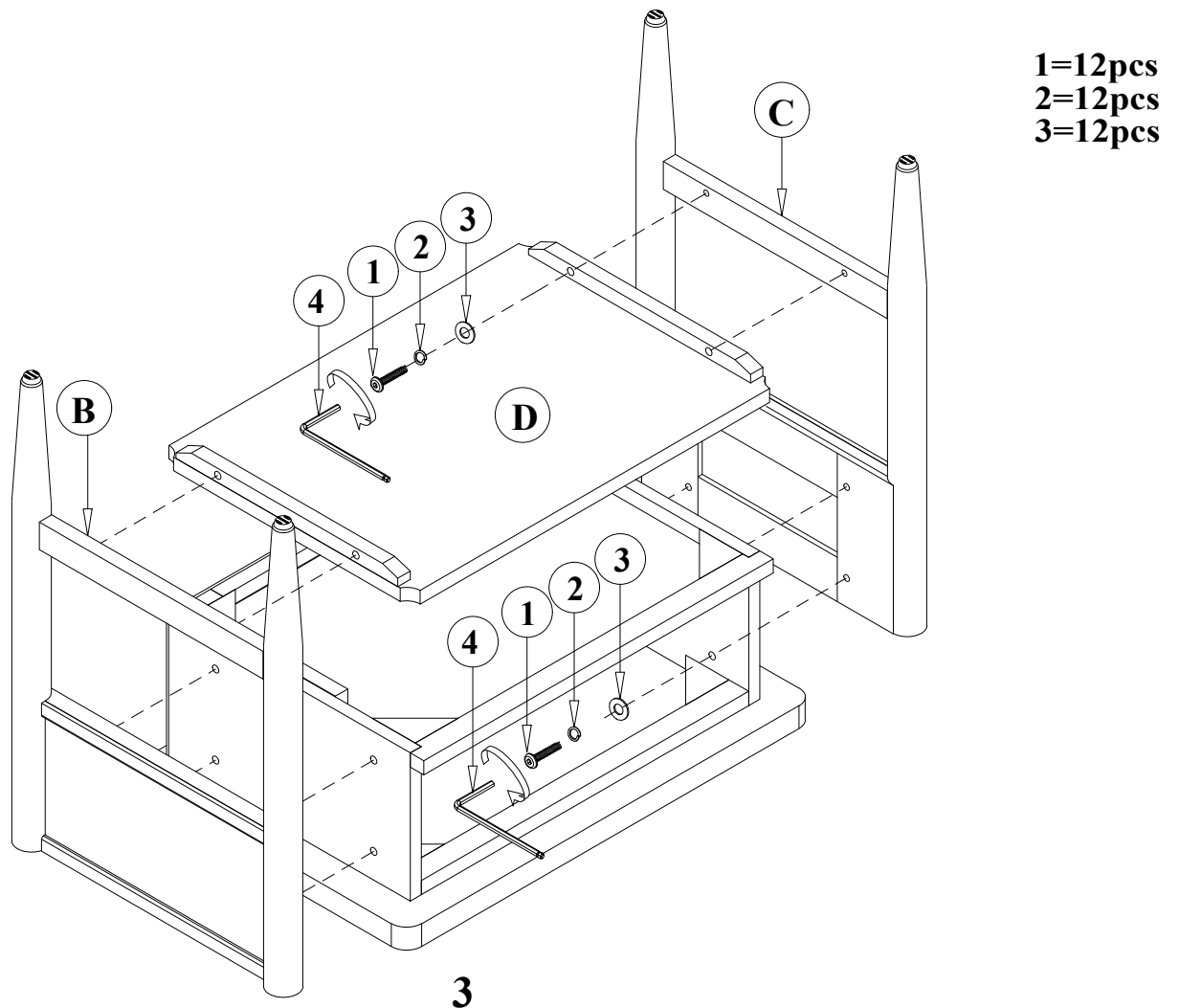
After assembly, clean and polish the completed parts if necessary with soft cloth and industrial recognized furniture polish.

STEP 1



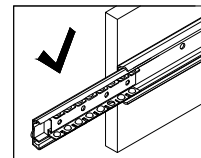
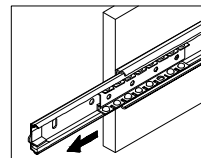
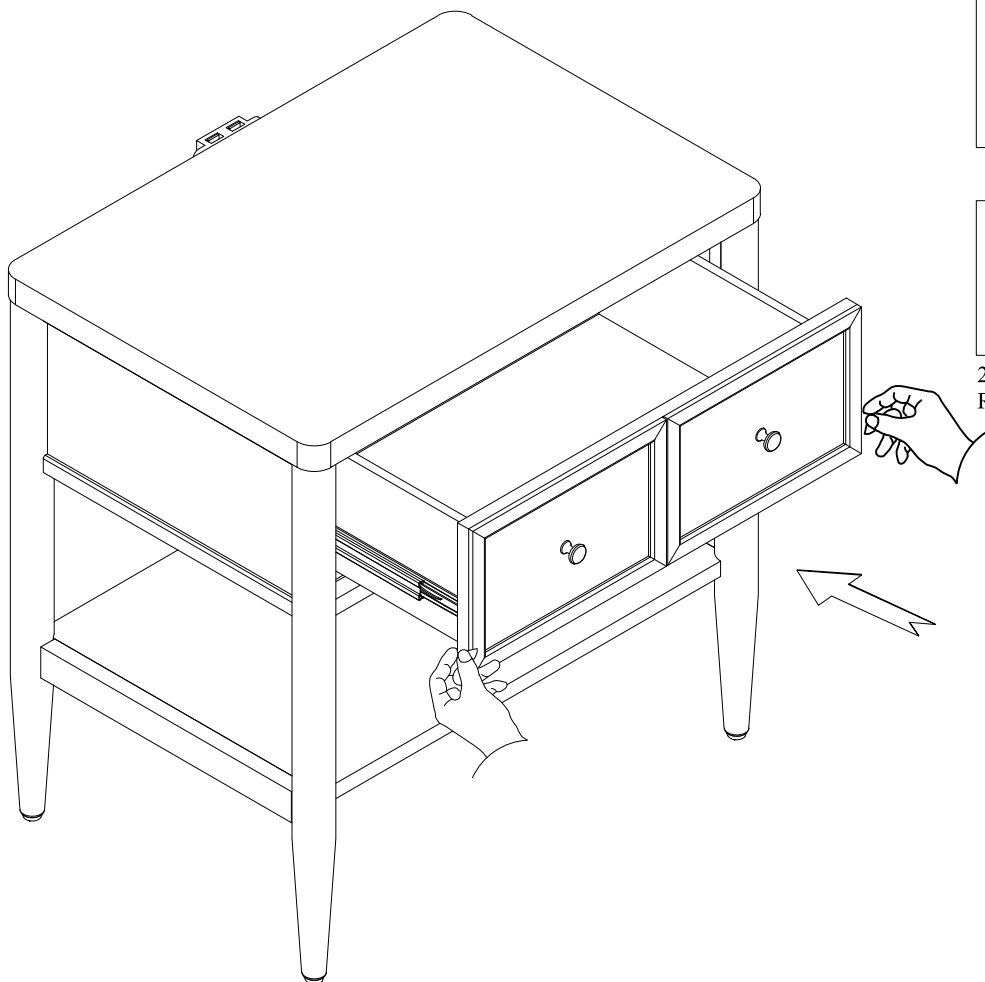
Take out the drawer as shown in the illustration

STEP 2

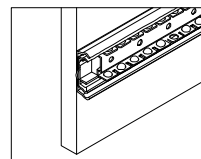


STEP 3

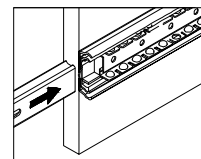
Install the drawer back as shown in the illustration.



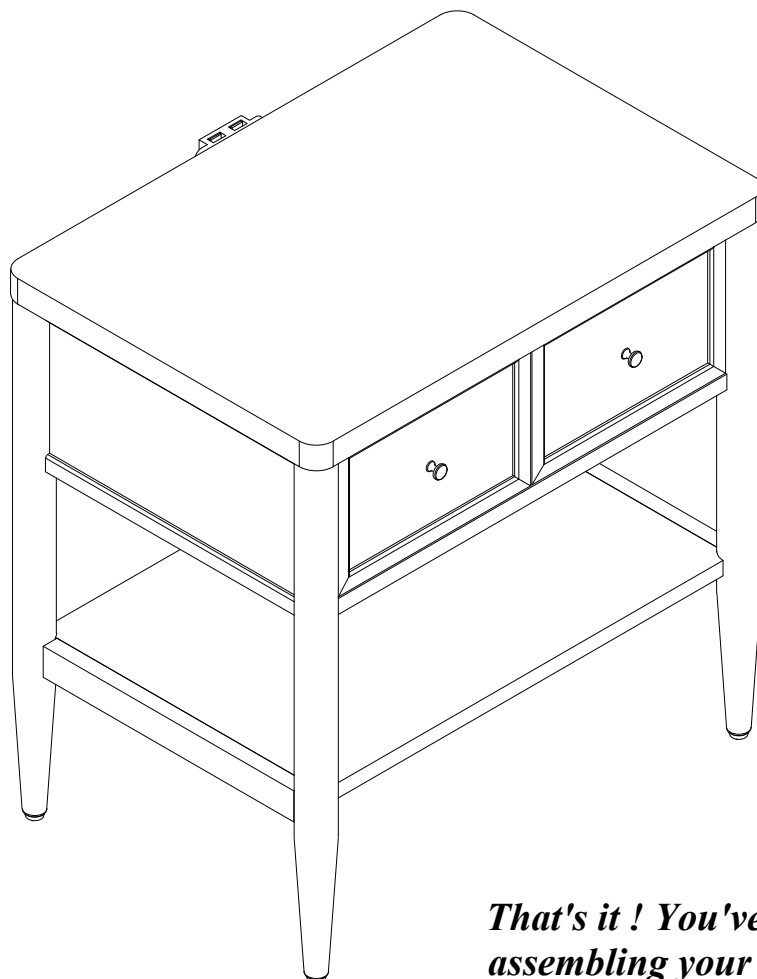
1. Pull out slide. Slide bearings forward



2. Push slide back inside. Repeat for every slide



3. Insert into slide slot correctly push the drawer into the table body with force



That's it ! You've finished assembling your item. Thank you!