



LIVING SPACES

ASSEMBLY INSTRUCTIONS

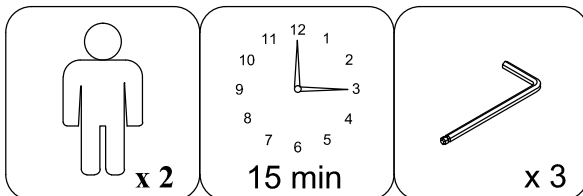
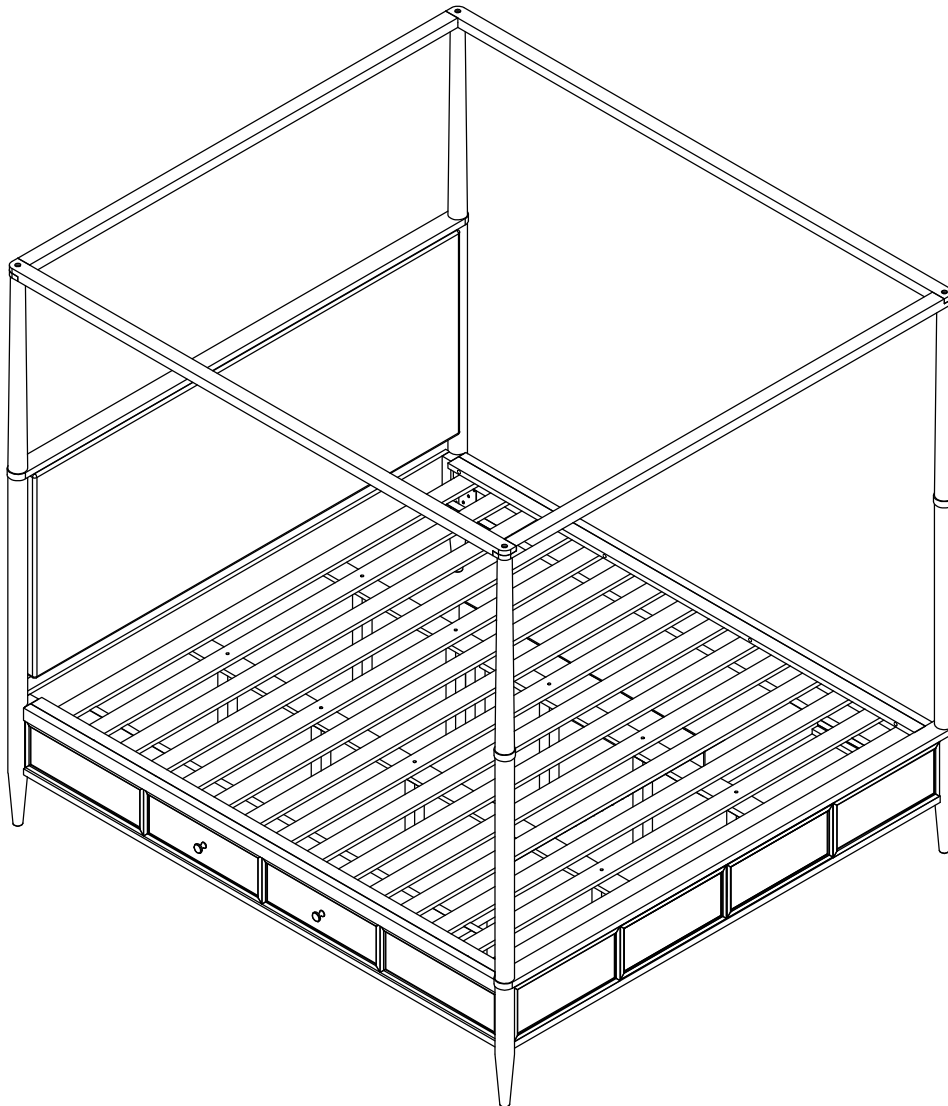
**AUSTEN WHITE CALIFORNIA KING
CANOPY UPH BED W/ SIDE STORAGE**

SKU:346224/346225/346638/346227

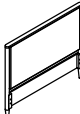

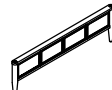
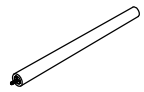
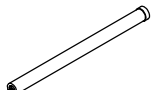
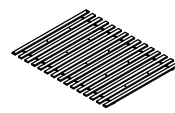
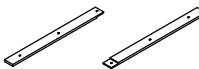
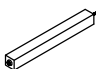
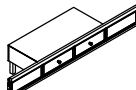
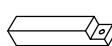



**AUSTEN WHITE CALIFORNIA KING CANOPY
PANEL BED W/ SIDE STORAGE**

SKU:346627/346225/346638/346227

NO	COMPONENT'S SKU	QUANTITY (Cartons)
1	346224/346627	1
2	346225	1
3	346638	2
4	346227	1

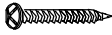







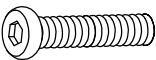






1

PART	COMPONENT'S SKU	PART LIST Number	IMAGE	DESCRIPTION	QTY
(A)	346224/346627	346224-01 346627-01		Head Board	1
(B)		346224-02 346627-02		Head Board Posts canopy	2
(C)	346225	346225-01		Foot Board	1
(D)		346225-02		Foot Board Posts canopy	2
(E)		346225-03		Foot Board Posts canopy	2
(F)		346225-04		Slat	1set
(G)		346225-05		Middle Support Bar	4
(H)		346225-06		Support With Leveler	10
(I)	346638	346638-01		Storage Side Rail	1
(J)		346638-02		Side Rail back leg	2
(K)		346638-03		Cap Rail	1
(L)	346227	346227-01		Head Board/Foot Board canopy	2
(M)		346227-02		Lift/Right canopy rail	2



Hardware List

PART	COMPONENT'S SKU	Hardware List	IMAGE	DECRPTION	QTY
①	346225	346225-A01		Screw #8* 30mm	6
②	346638	346638-A01		Bolts 1/4" * 38mm	2
③		346638-A02		Spring Washer 1/4"*11mm	2
④		346638-A03		Flat Washer 1/4" *19mm	2
⑤		346638-A04		Bolts 5/16" * 25mm	4
⑥		346638-A05		Spring Washer 5/16" Dia	4
⑦		346638-A06		Flat Washer 5/16" * Dia	4
⑧		346638-A07		Allen key	1
⑨		346638-A08		Bolts 1/4" * 45mm	4
⑩	346227	346227-A01		Bolts 5/16" * 60mm	4
⑪		346227-A02		Spring Washer 5/16" Dia	4
⑫		346227-A03		Flat Washer 5/16" * Dia	4
⑬		346227-A04		Allen key	1

THE HAEDWARE IS LOCATED IN THE PACKING ITEM

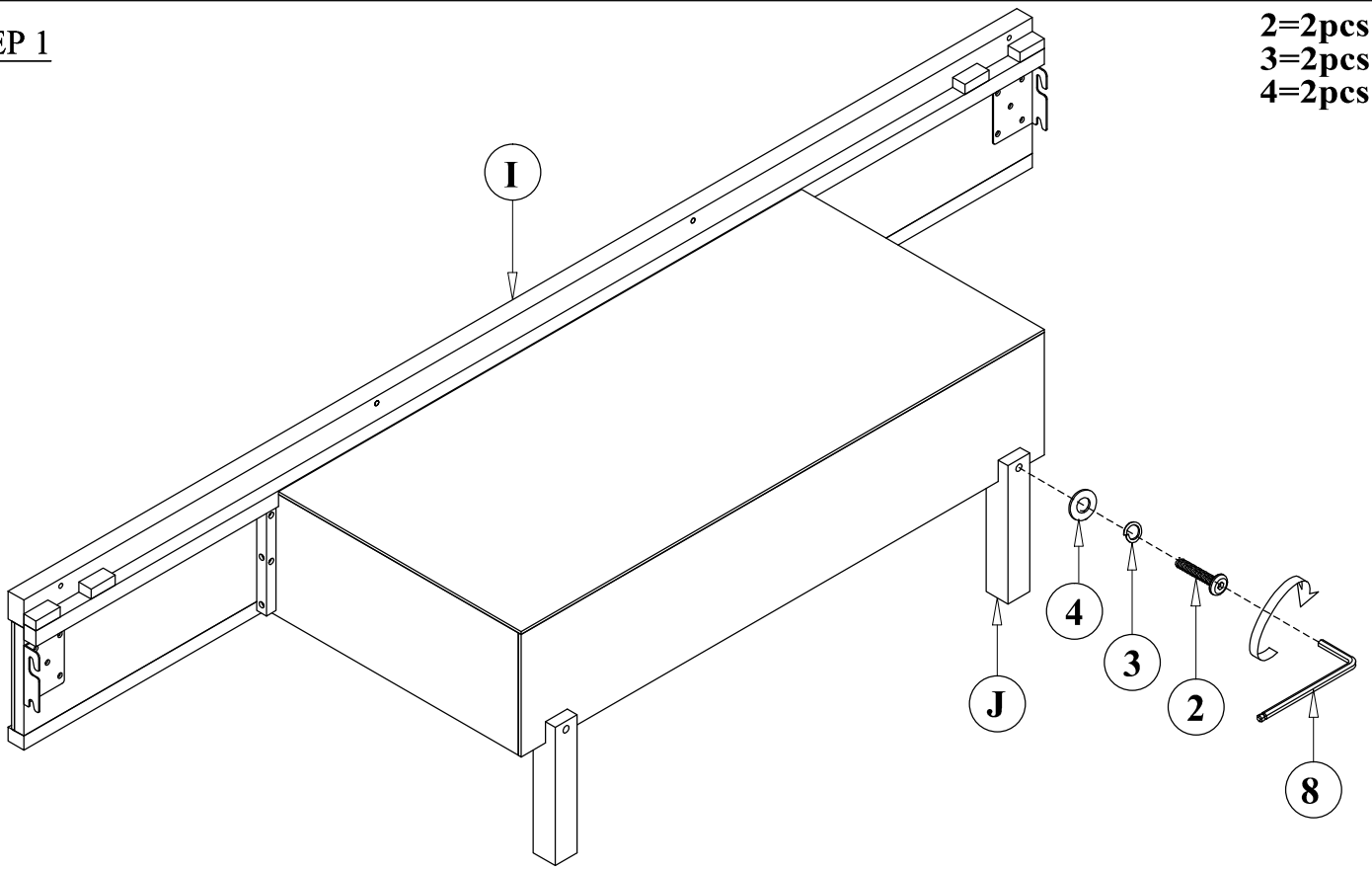
**MUST: TIGHTEN SCREWS PERIODIACLLY. WITH USE SCREW
MAY ENCOME LOOSE CHECK TIGHTNESS OF ALL SCREWS EVERY 6-8
WEEKS.**

CLEANING INSTRUCTIONS:

**After assembly, clean and polish the completed parts if necessary with
soft cloth and industrial recognized furniture polish.**

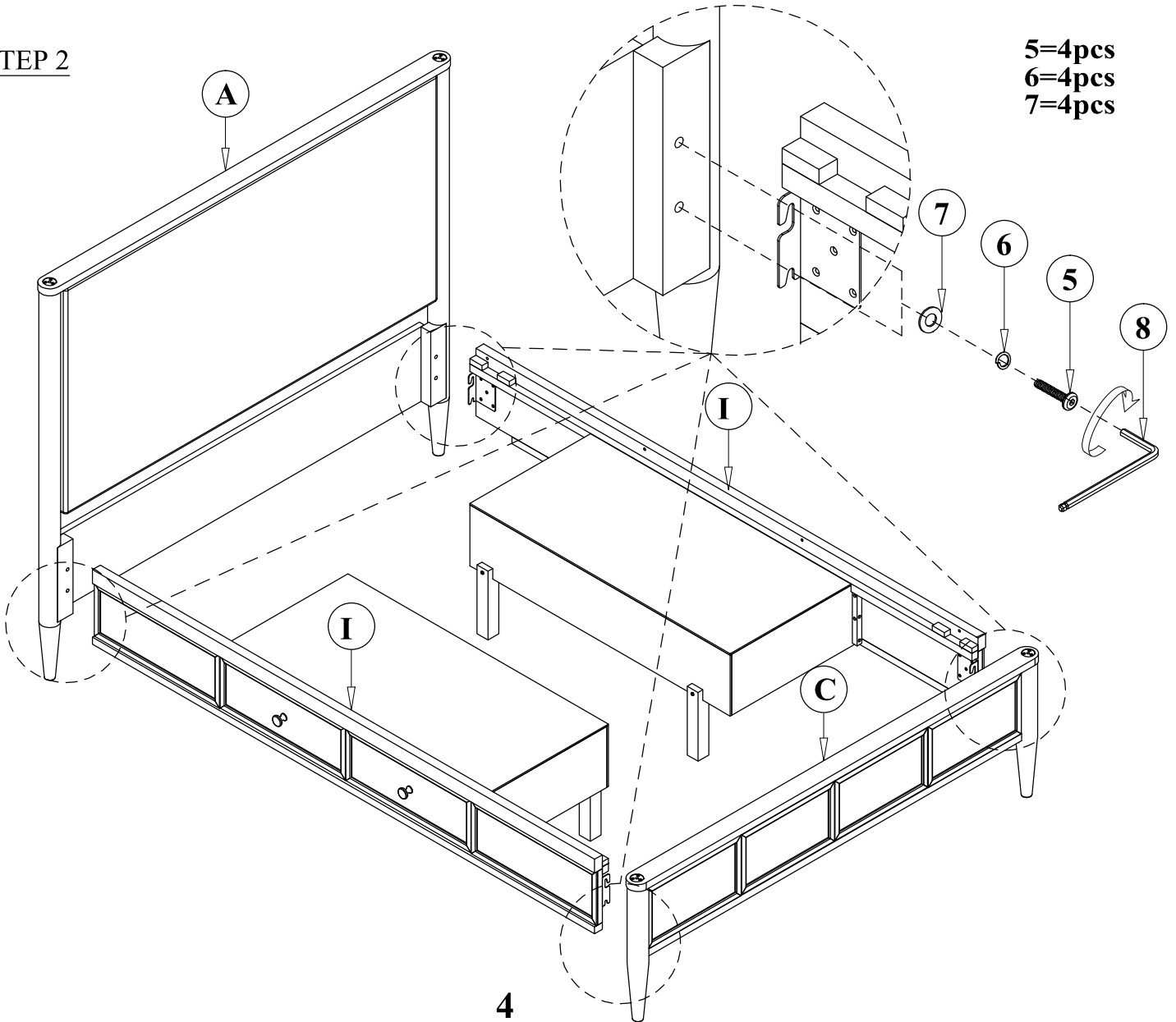
STEP 1

2=2pcs
3=2pcs
4=2pcs

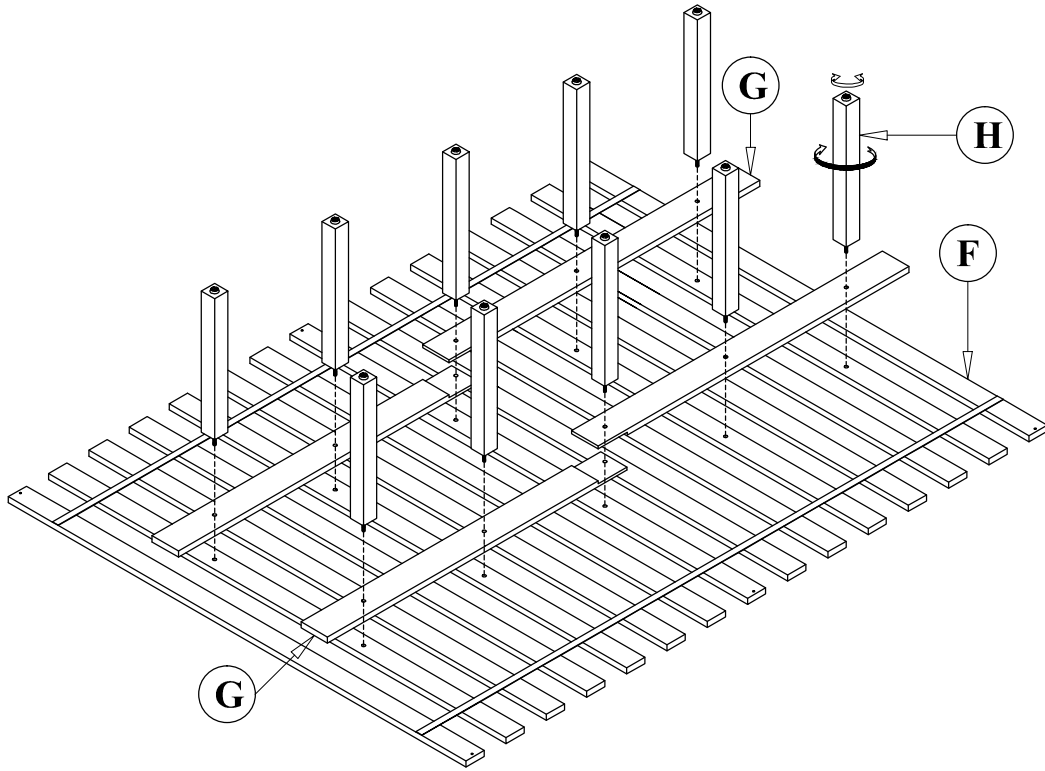


STEP 2

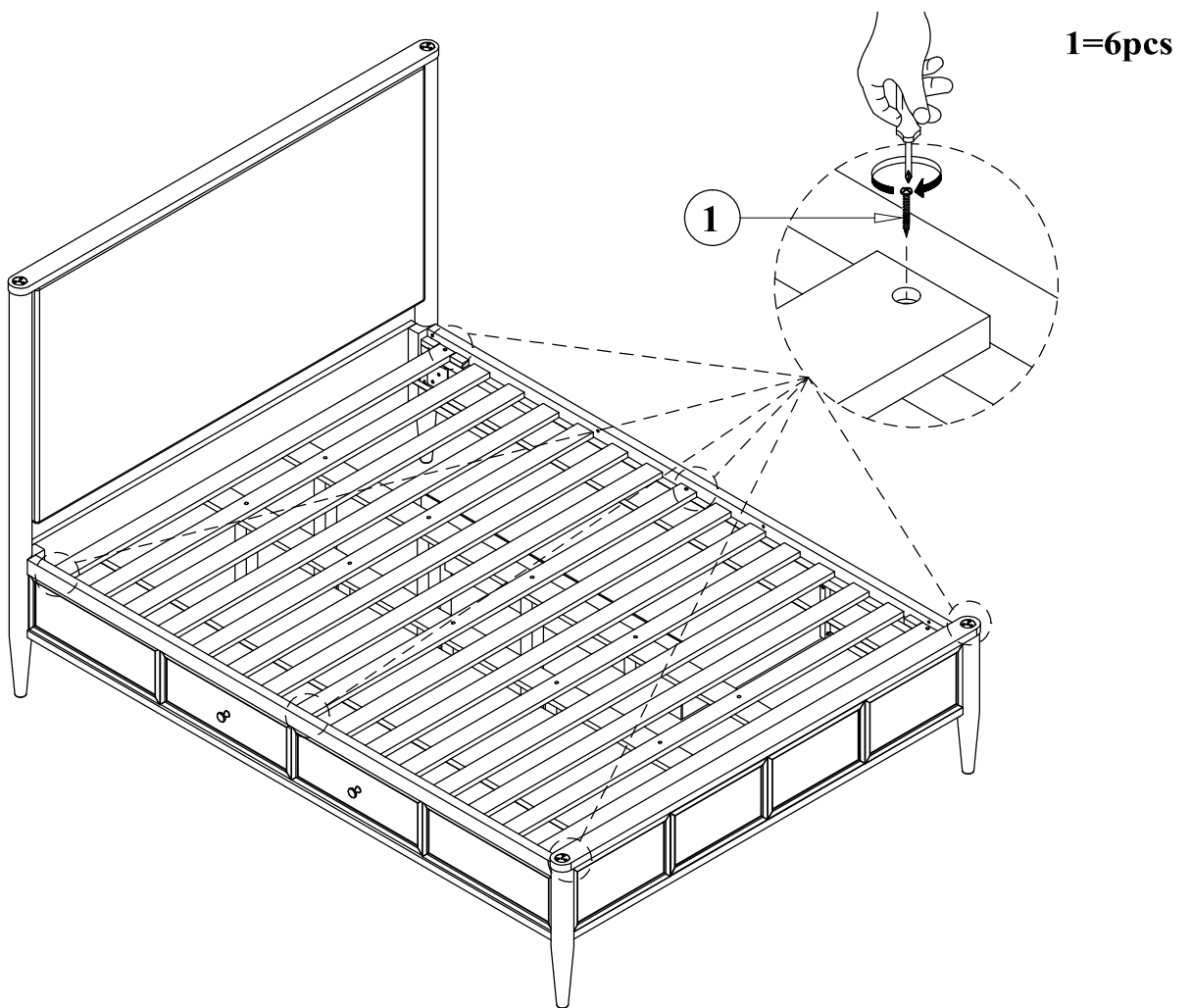
5=4pcs
6=4pcs
7=4pcs



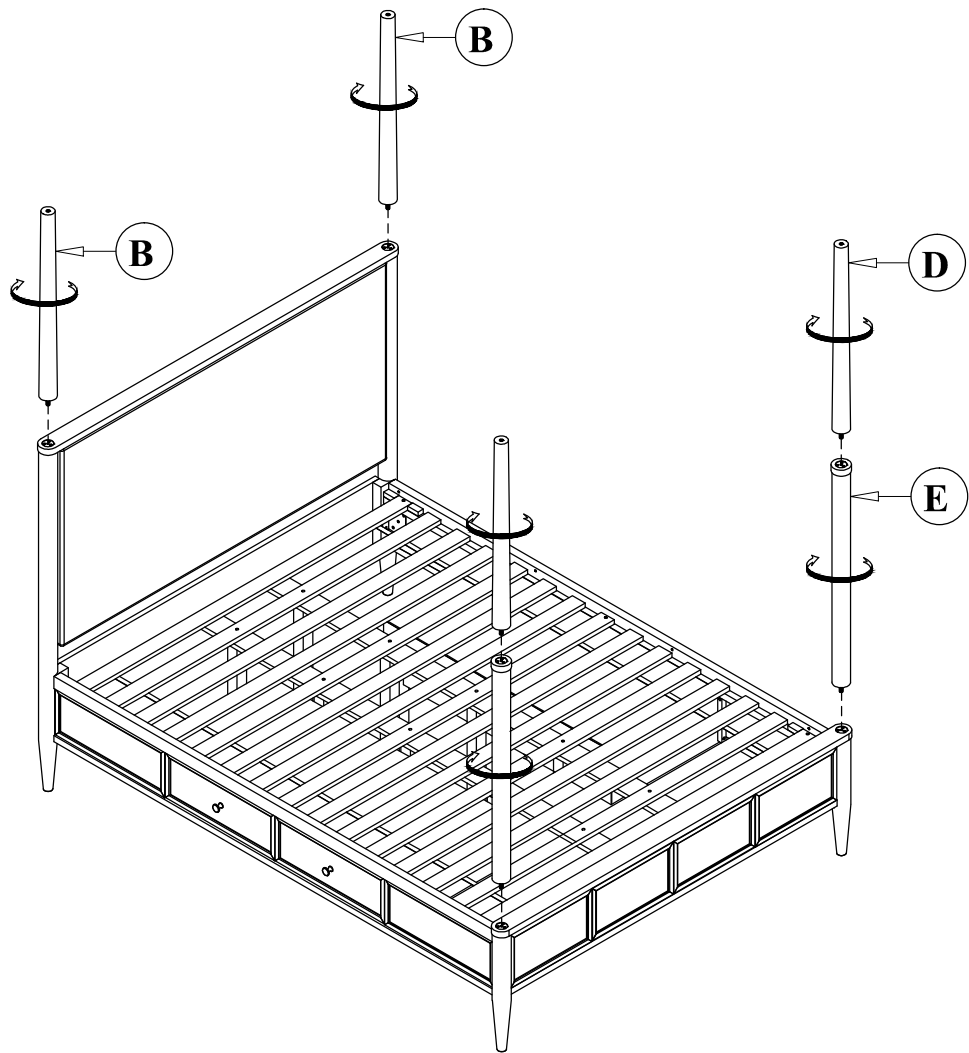
STEP 3



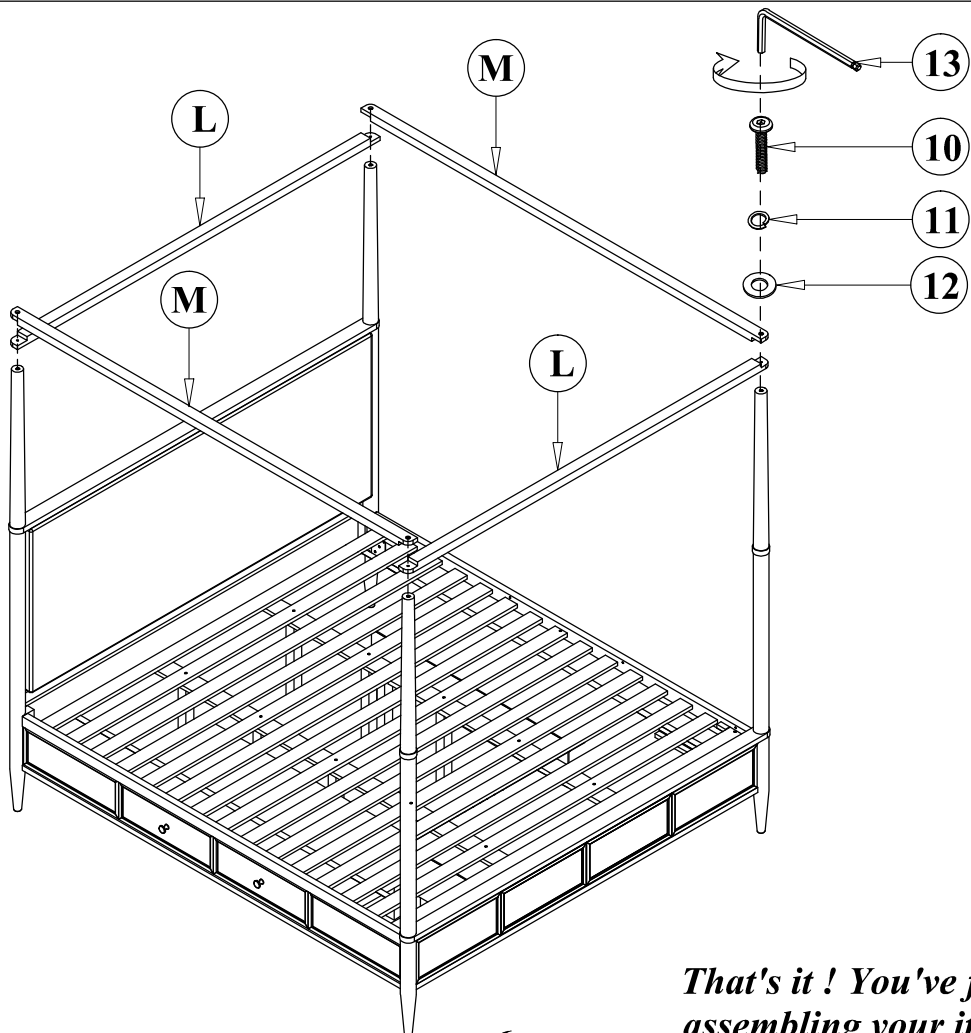
STEP 4



STEP 5



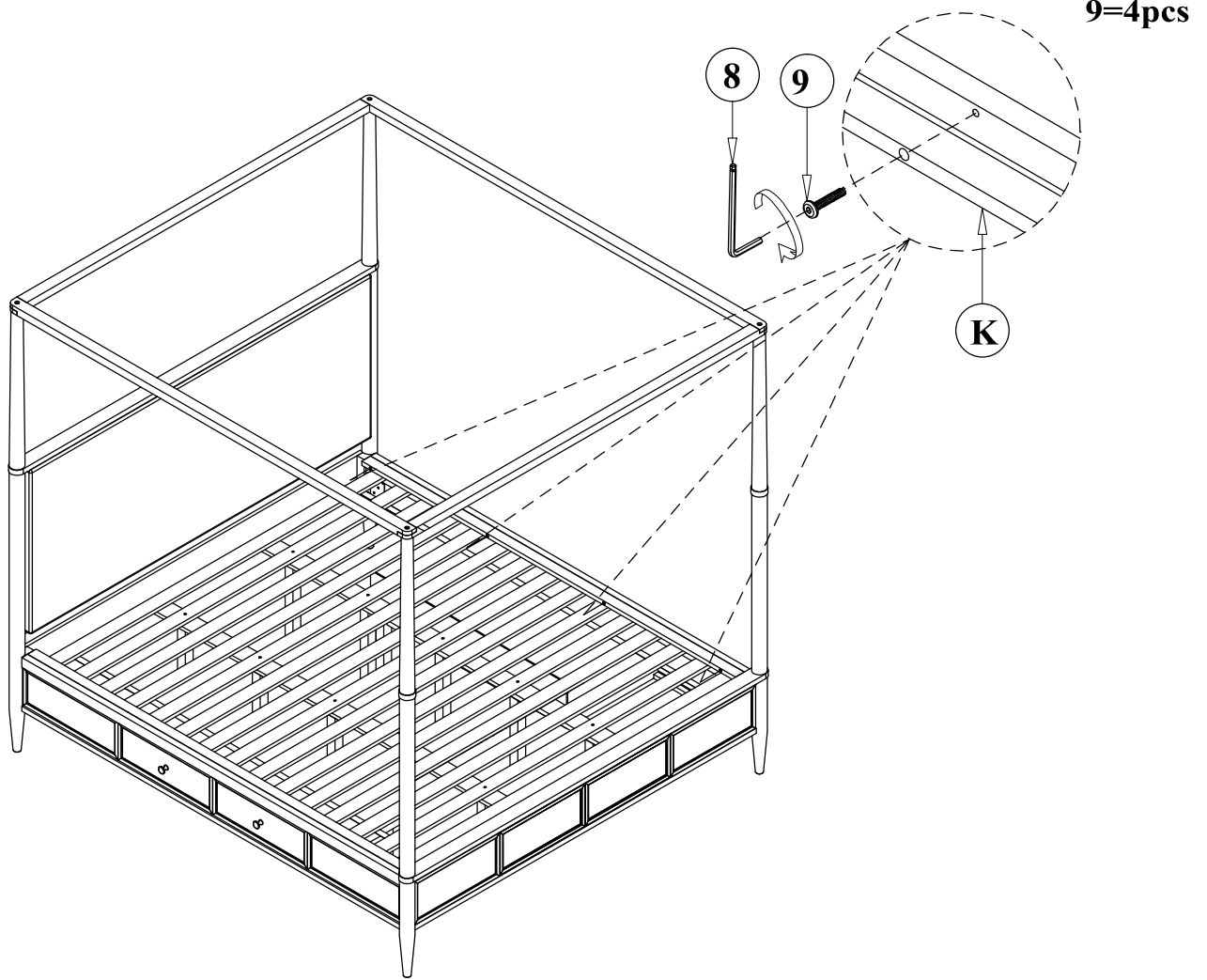
STEP 6



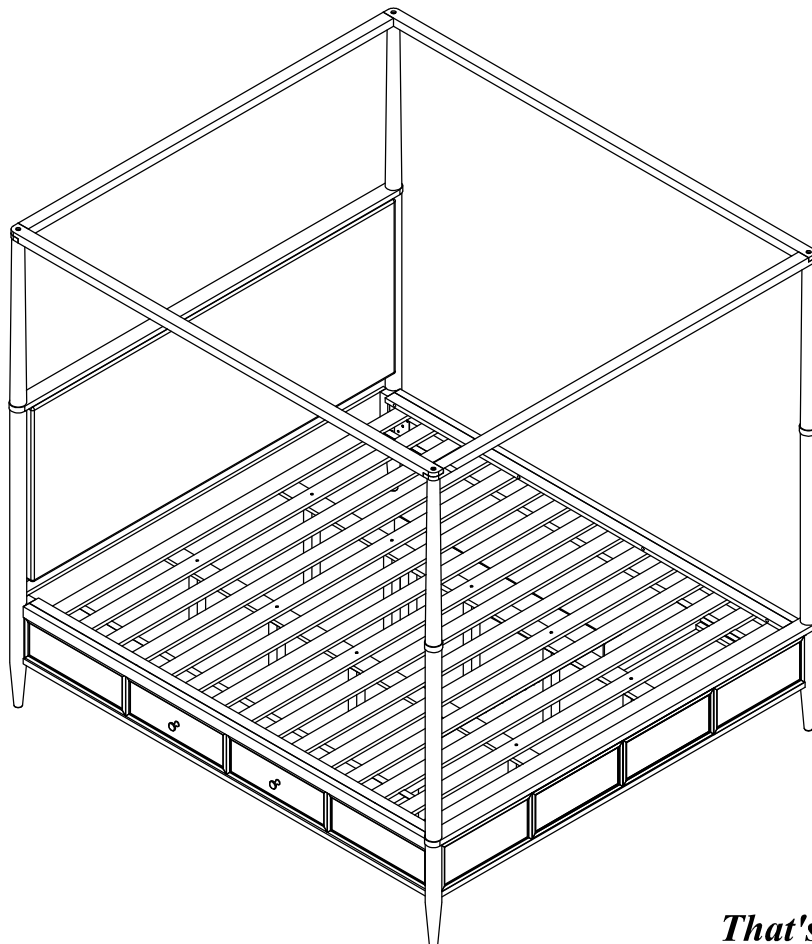
10=4pcs
11=4pcs
12=4pcs

*That's it ! You've finished
assembling your item. Thank you!*

STEP 7



STEP 8



*That's it ! You've finished
assembling your item. Thank you!*