



LIVING SPACES

ASSEMBLY INSTRUCTIONS

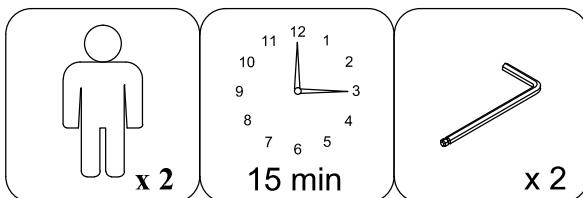
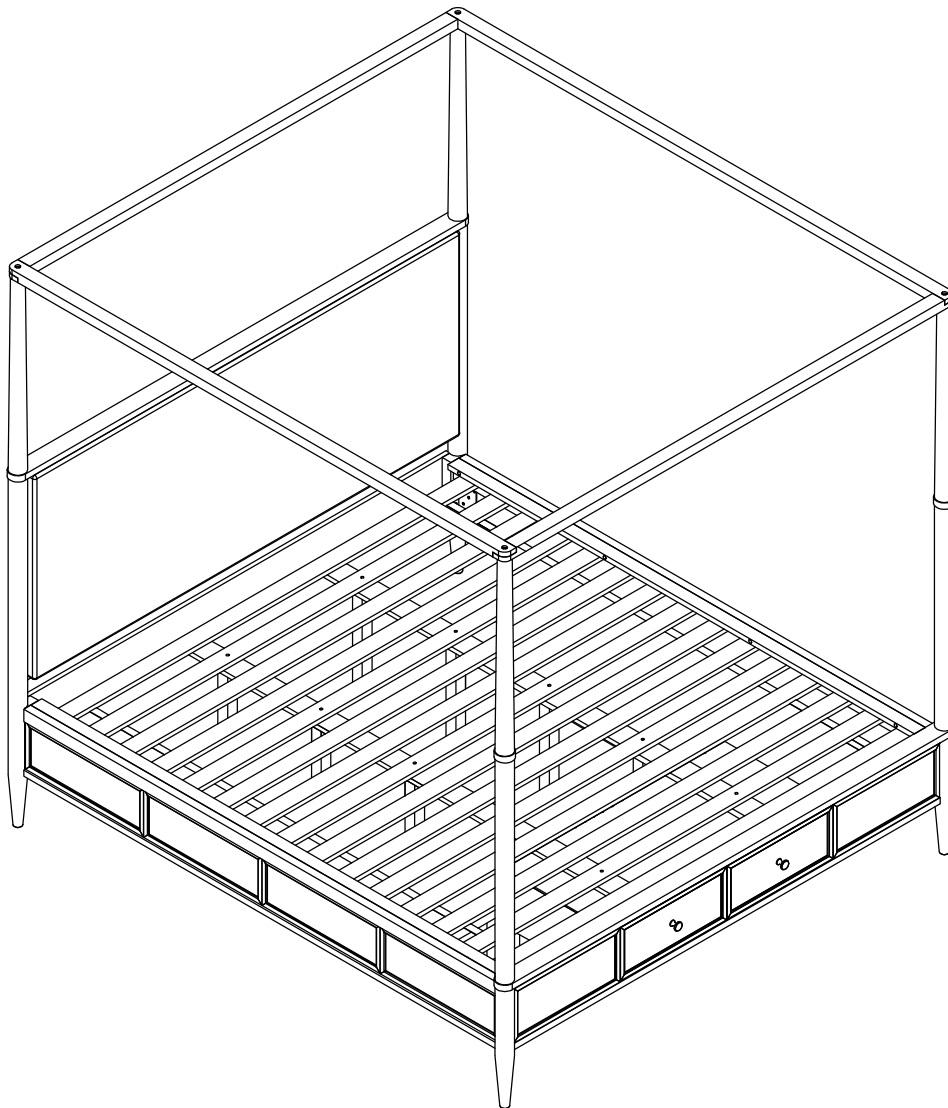
**AUSTEN WHITE CALIFORNIA KING CANOPY
UPH BED W/ FOOTBOARD STORAGE**


SKU:346224/346611/346629/346227

**AUSTEN WHITE CALIFORNIA KING CANOPY
PANEL BED W/ FOOTBOARD STORAGE**

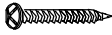













SKU:346627/346611/346629/346227

NO	COMPONENT'S SKU	QUANTITY (Cartons)
1	346224/346627	1
2	346611	1
3	346629	1
4	346227	1



PART	COMPONENT'S SKU	PART LIST Number	IMAGE	DESCRIPTION	QTY
(A)	346224/346627	346224-01 346627-01		Head Board	1
(B)		346224-02 346627-02		Head Board Posts canopy	2
(C)	346611	346611-01		Storage Foot Board	1
(D)		346611-02		Foot Board back leg	2
(E)		346611-03		Foot Board Posts canopy	2
(F)		346611-04		Foot Board Posts canopy	2
(G)		346611-05		Slat	1set
(H)		346611-06		Middle Support Bar	4
(I)		346611-07		Support With Leveler	10
(J)		346629	346629-01		Side Rail
(K)	346629-02			Cap Rail	2
(L)	346227	346227-01		Head Board/Foot Board canopy	2
(M)		346227-02		Lift/Right canopy rail	2

Hardware List

PART	COMPONENT'S SKU	Hardware List	IMAGE	DESCRIPTION	QTY
①	346611	346611-A01		Screw #8* 30mm	6
②		346611-A02		Bolts 1/4" * 38mm	2
③		346611-A03		Spring Washer 1/4"*11mm	2
④		346611-A04		Flat Washer 1/4" *19mm	2
⑤		346611-A05		Allen key	1
⑥	346629	346629-A01		Bolts 5/16" * 25mm	8
⑦		346629-A02		Spring Washer 5/16" Dia	8
⑧		346629-A03		Flat Washer 5/16" * Dia	8
⑨		346629-A04		Allen key	1
⑩		346629-A05		Bolts 1/4" * 45mm	8
⑪	346227	346227-A01		Bolts 5/16" * 60mm	4
⑫		346227-A02		Spring Washer 5/16" Dia	4
⑬		346227-A03		Flat Washer 5/16" * Dia	4
⑭		346227-A04		Allen key	1

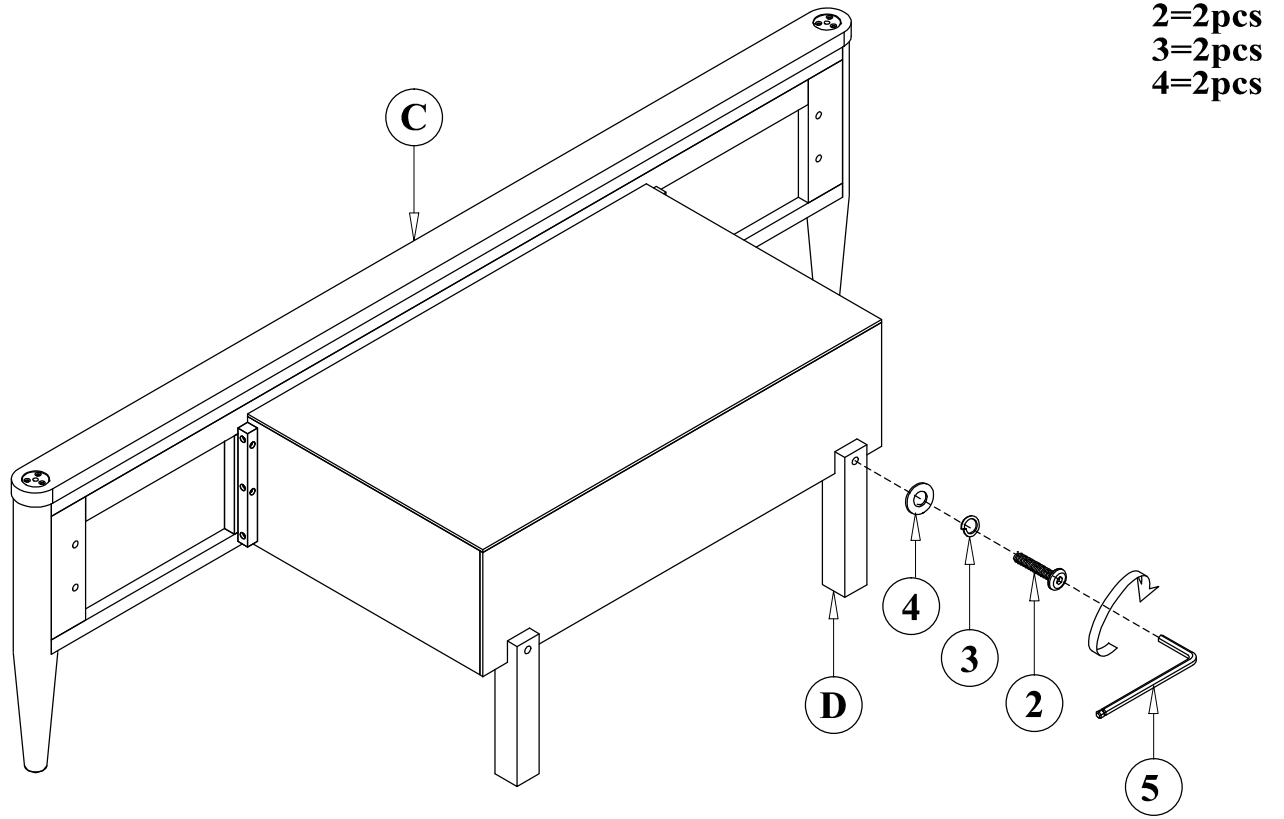
THE HAEDWARE IS LOCATED IN THE PACKING ITEM

**MUST: TIGHTEN SCREWS PERIODIACLLY. WITH USE SCREW
MAY ENCOME LOOSE CHECK TIGHTNESS OF ALL SCREWS EVERY 6-8
WEEKS.**

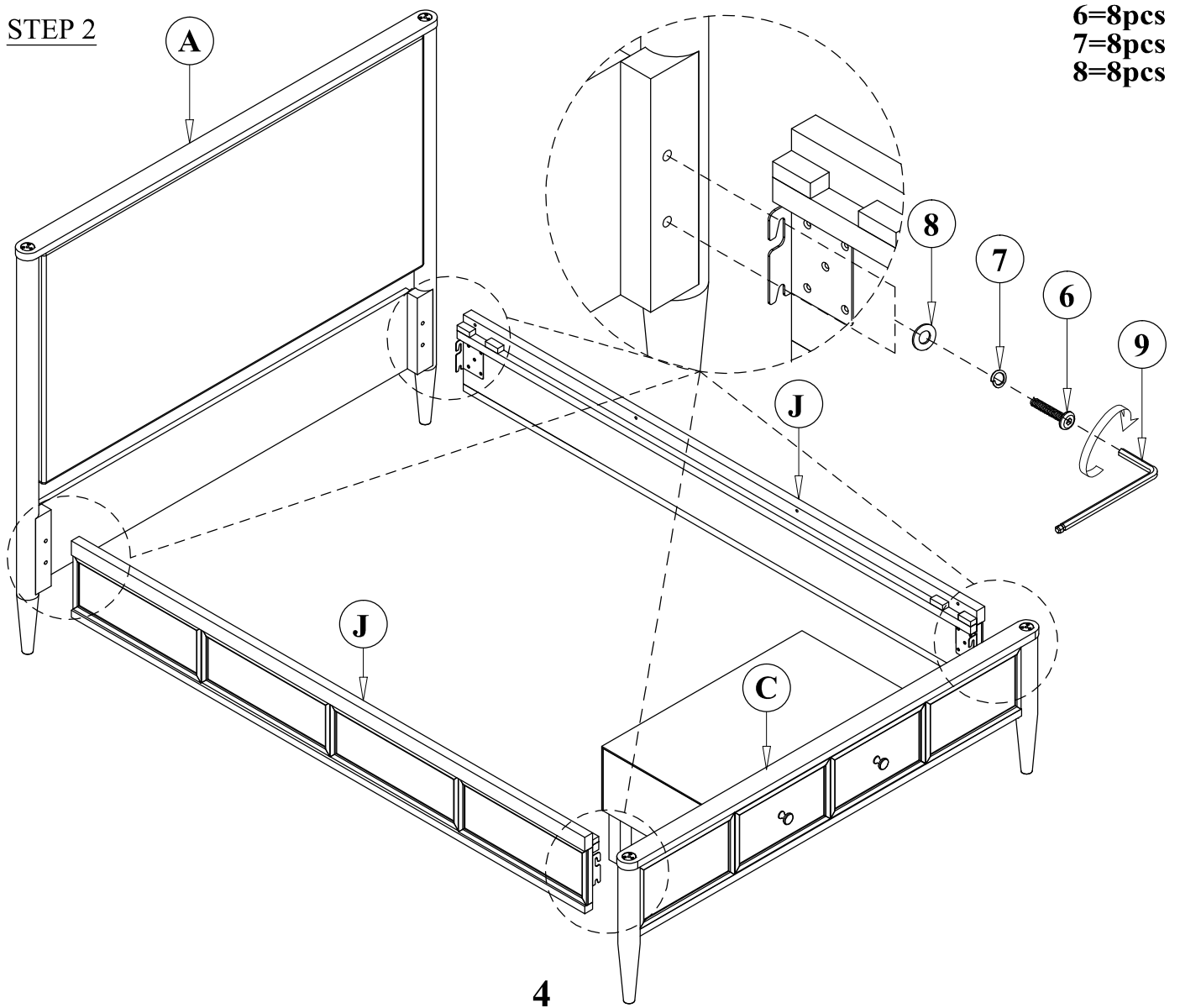
CLEANING INSTRUCTIONS:

**After assembly, clean and polish the completed parts if necessary with
soft cloth and industrial recognized furniture polish.**

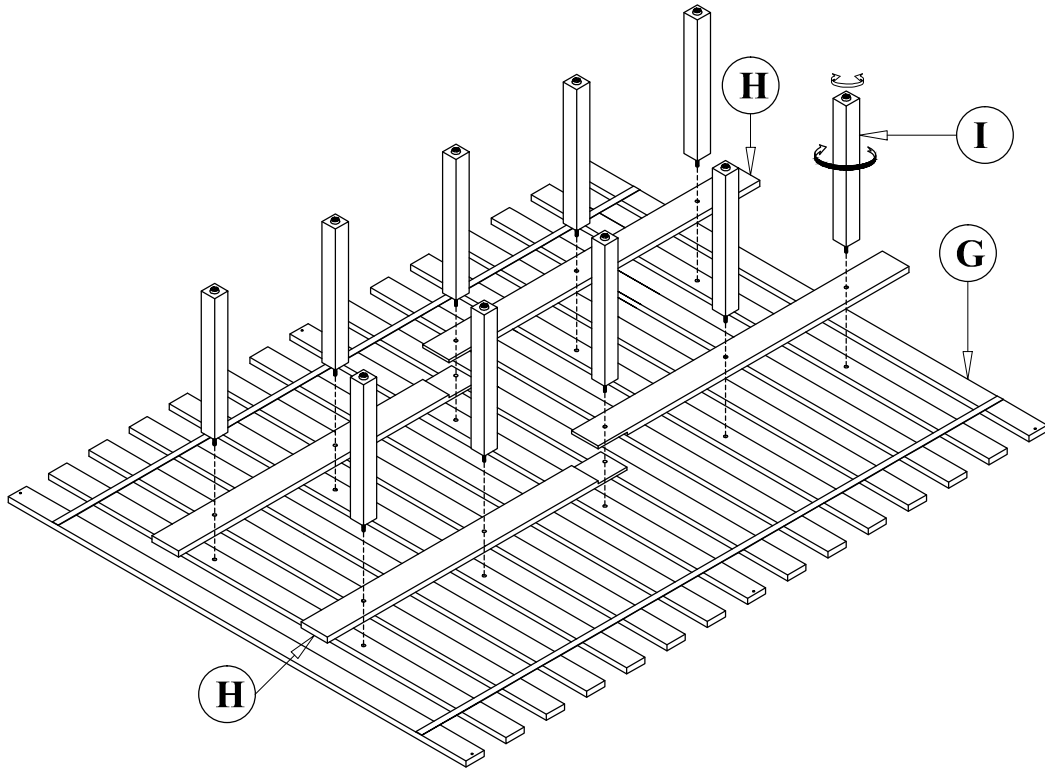
STEP 1



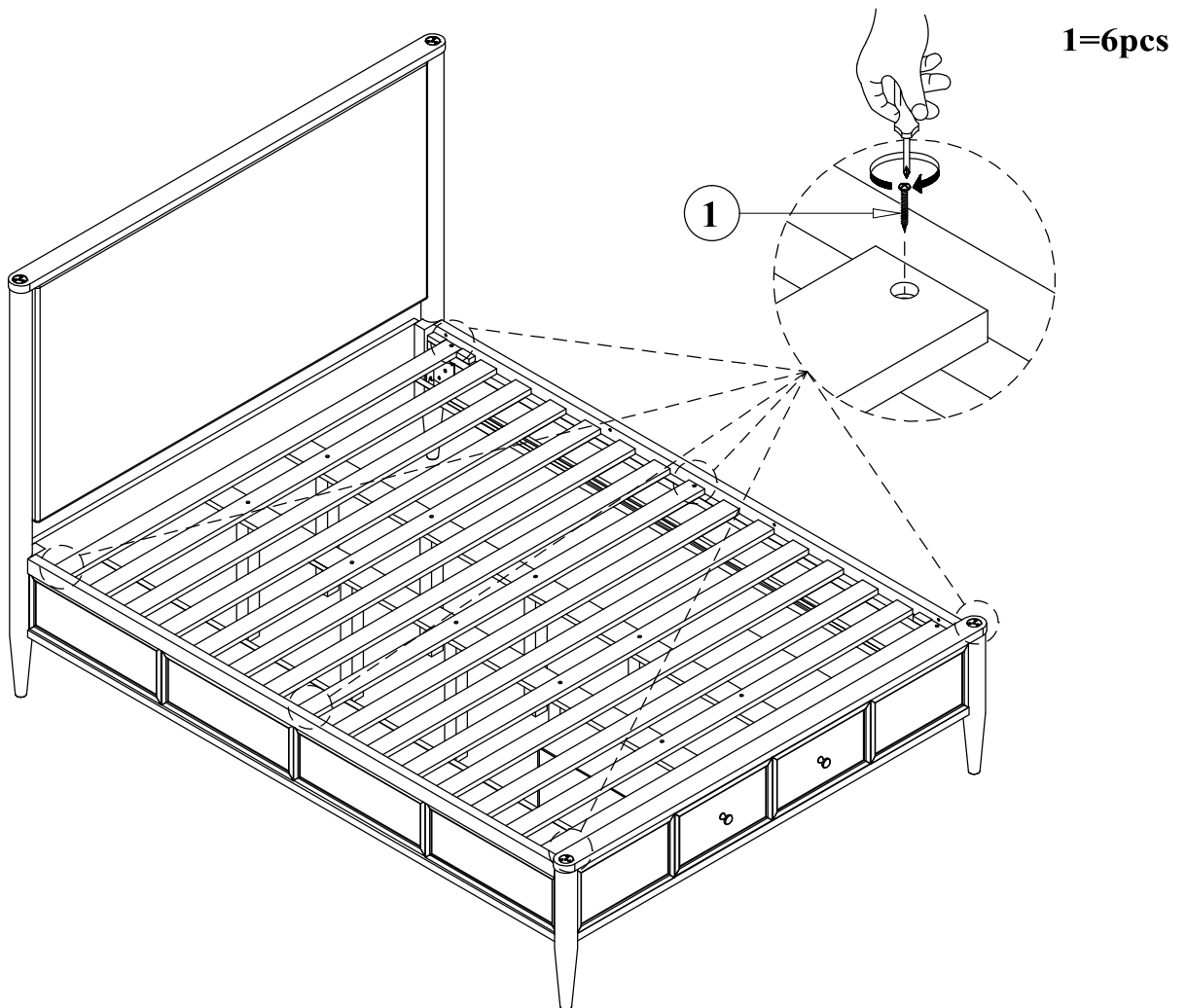
STEP 2



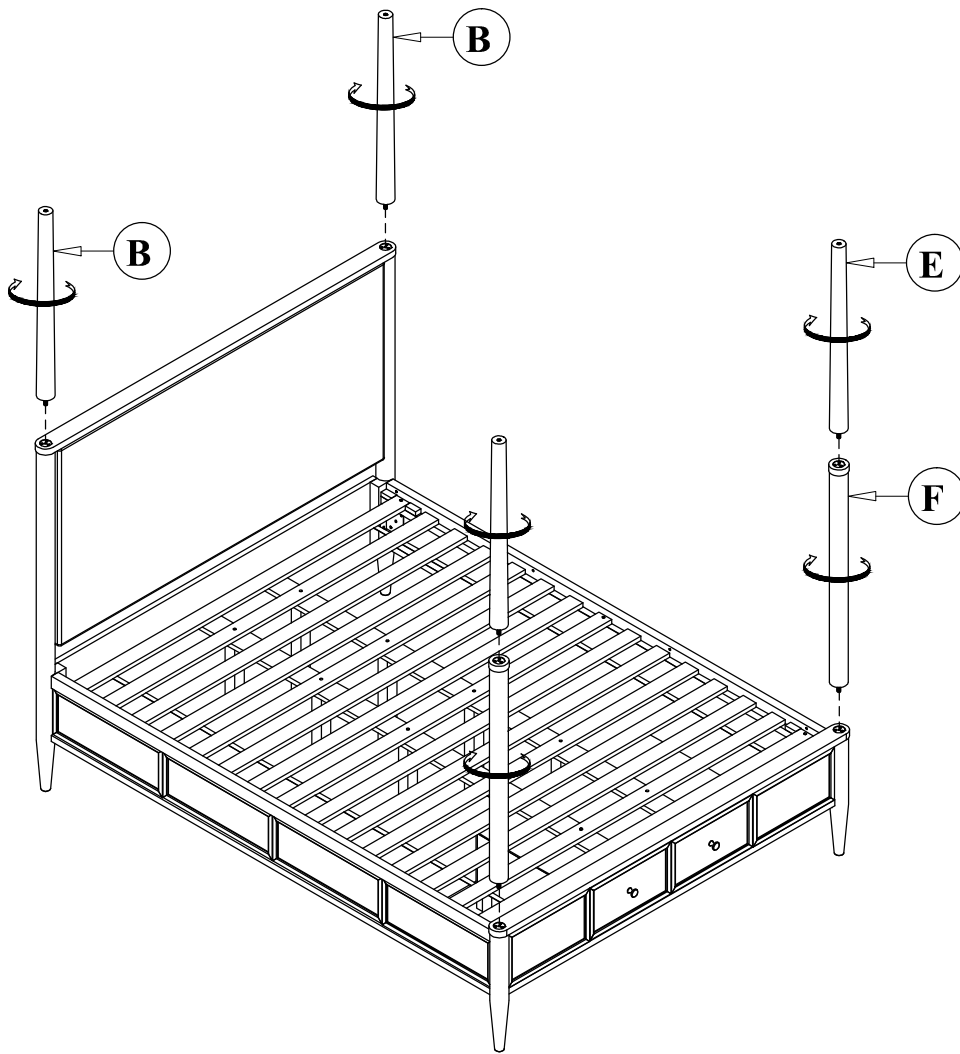
STEP 3



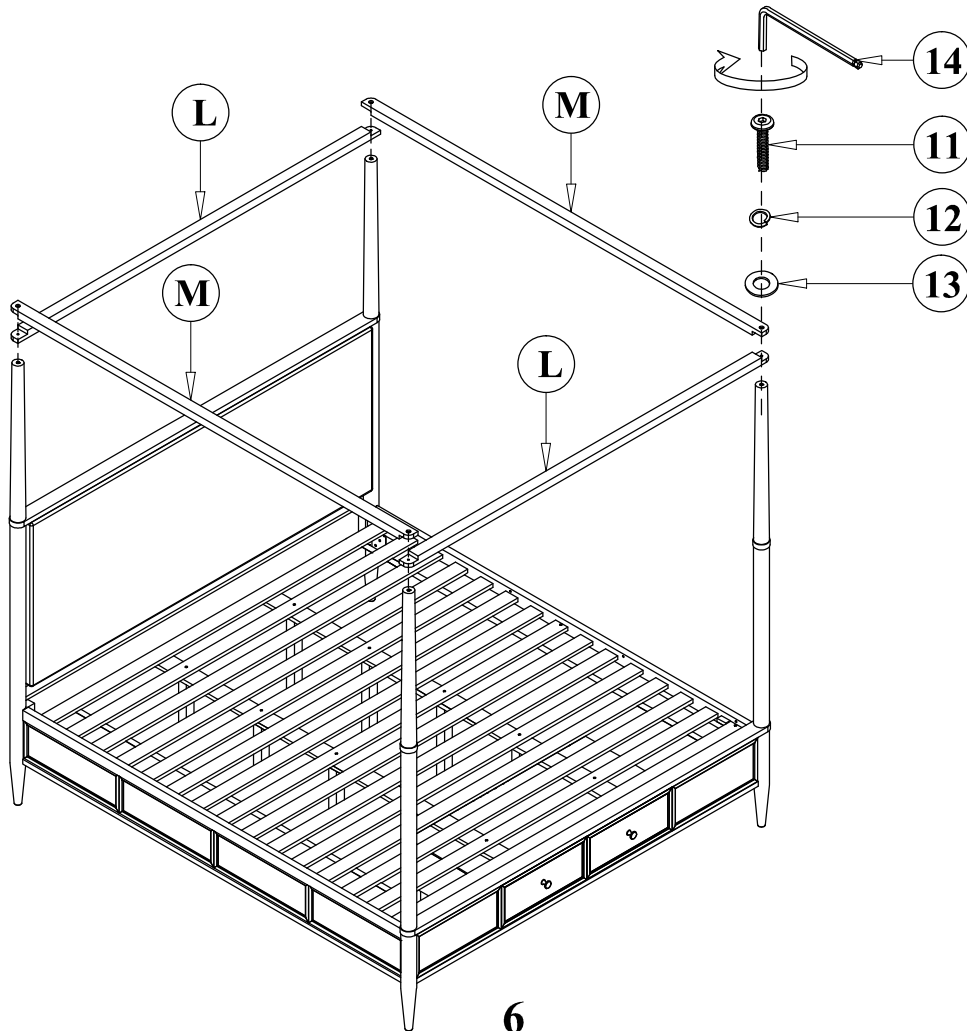
STEP 4



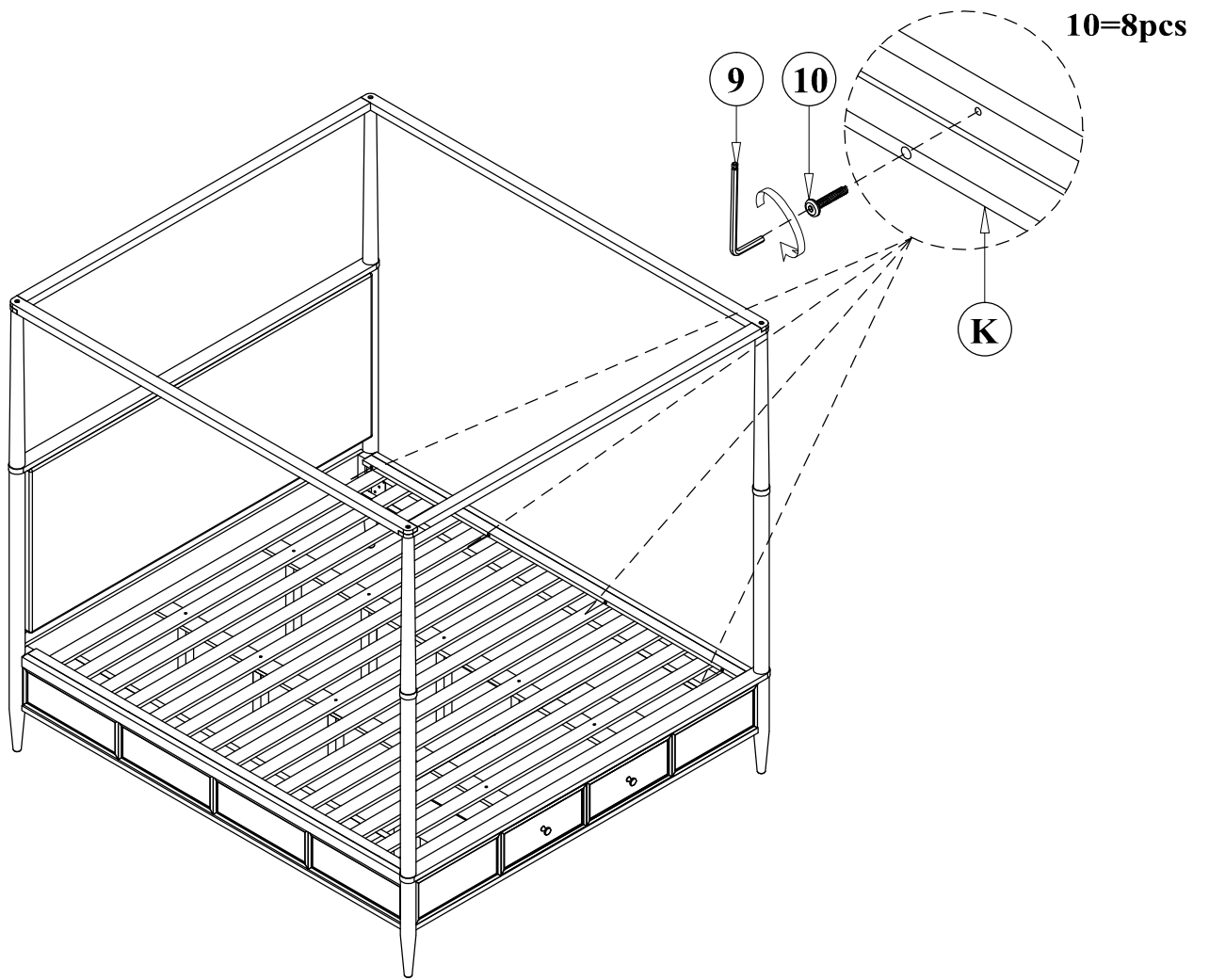
STEP 5



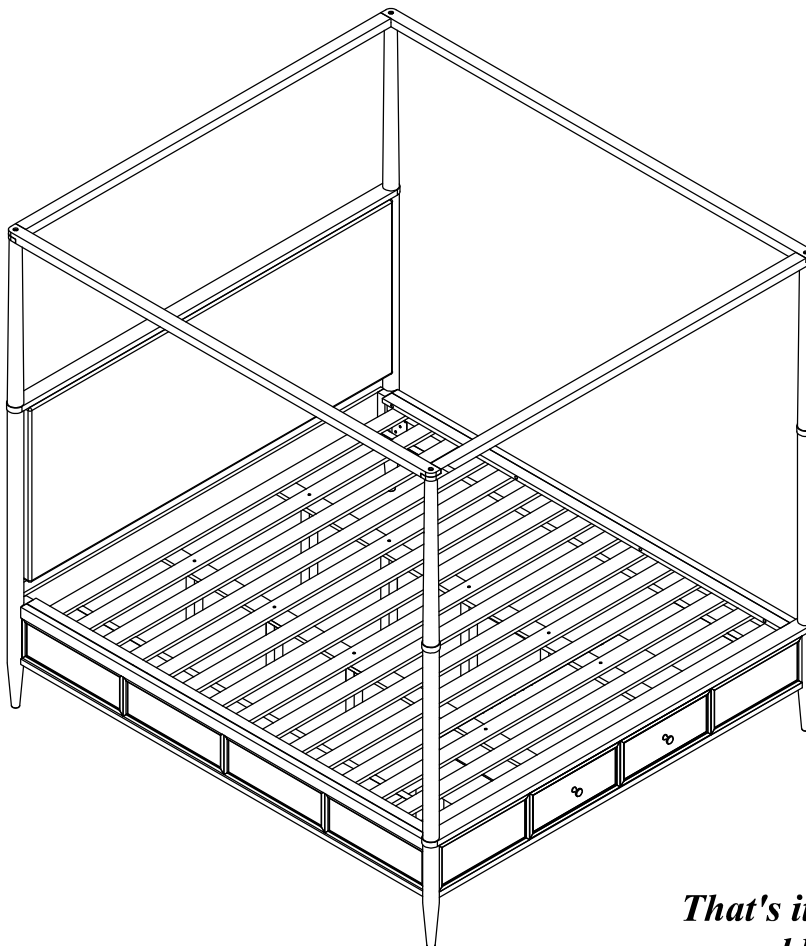
STEP 6



STEP 7



STEP 8



*That's it ! You've finished
assembling your item. Thank you!*