



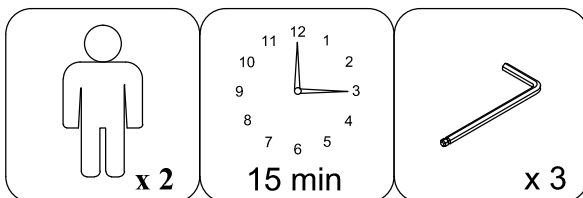
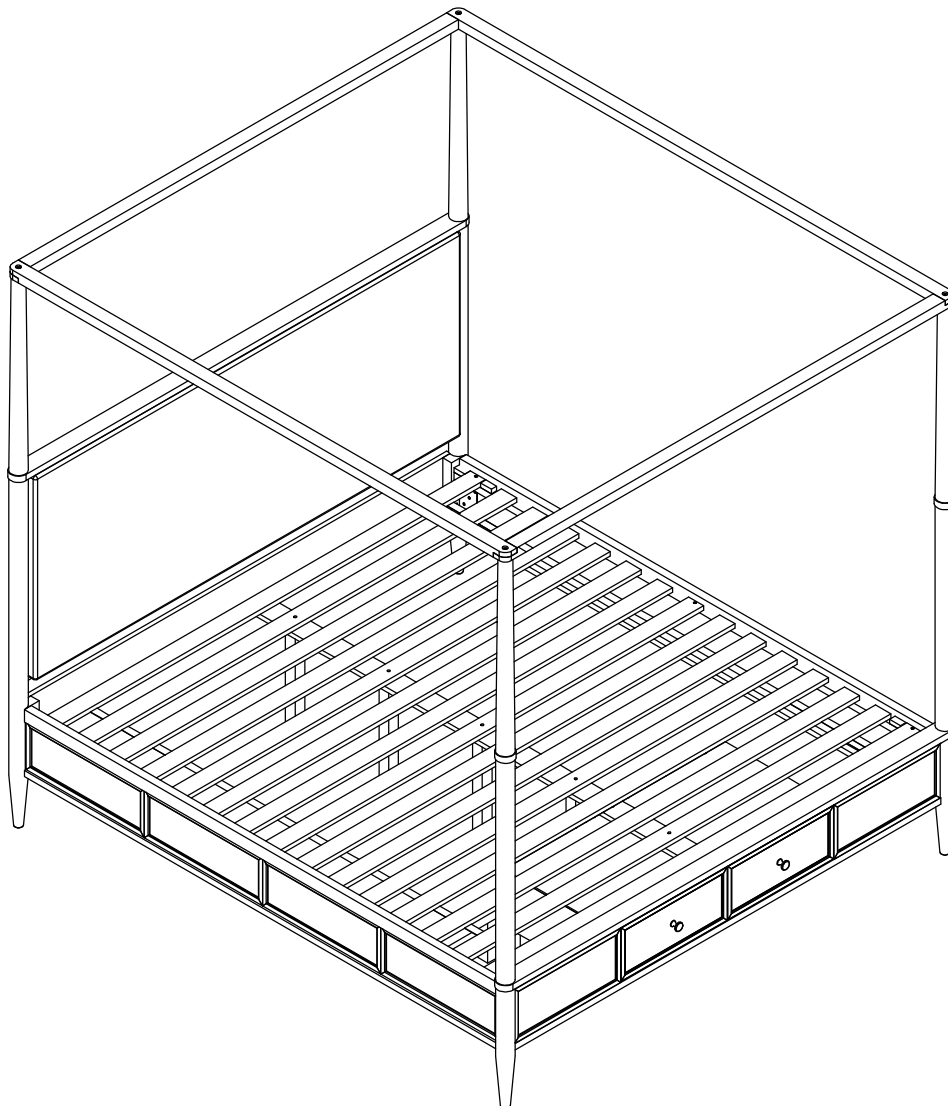
LIVING SPACES

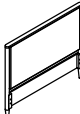

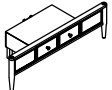
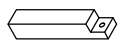
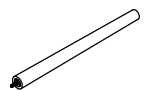
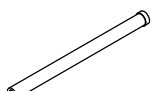
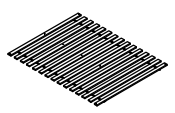

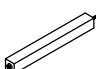
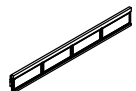


ASSEMBLY INSTRUCTIONS

AUSTEN WHITE QUEEN CANOPY UPH BED W/ FOOTBOARD STORAGE SKU:346576/346578/346637/346192














AUSTEN WHITE QUEEN CANOPY PANEL BED W/ FOOTBOARD STORAGE SKU:346118/346578/346637/346192

NO	COMPONENT'S SKU	QUANTITY (Cartons)
1	346576/346118	1
2	346578	1
3	346637	1
4	346192	1



PART	COMPONENT'S SKU	PART LIST Number	IMAGE	DESCRIPTION	QTY
(A)	346576/346118	346576-01 346118-01		Head Board	1
(B)		346576-02 346118-02		Head Board Posts canopy	2
(C)	346578	346578-01		Storage Foot Board	1
(D)		346578-02		Foot Board back leg	2
(E)		346578-03		Foot Board Posts canopy	2
(F)		346578-04		Foot Board Posts canopy	2
(G)		346578-05		Slat	1set
(H)		346578-06		Middle Support Bar	2
(I)		346578-07		Support With Leveler	5
(J)		346637	346637-01		Side Rail
(K)	346192	346192-01		Head Board/Foot Board canopy	2
(L)		346192-02		Lift/Right canopy rail	2

Hardware List

PART	COMPONENT'S SKU	Hardware List	IMAGE	DESCRIPTION	QTY
①	346578	346578-A01		Screw #8* 30mm	6
②		346578-A02		Bolts 1/4" * 38mm	2
③		346578-A03		Spring Washer 1/4"*11mm	2
④		346578-A04		Flat Washer 1/4" *19mm	2
⑤		346578-A05		Allen key	1
⑥	346637	346637-A01		Bolts 5/16" * 25mm	8
⑦		346637-A02		Spring Washer 5/16" Dia	8
⑧		346637-A03		Flat Washer 5/16" * Dia	8
⑨		346637-A04		Allen key	1
⑩	346192	346192-A01		Bolts 5/16" * 60mm	4
⑪		346192-A02		Spring Washer 5/16" Dia	4
⑫		346192-A03		Flat Washer 5/16" * Dia	4
⑬		346192-A04		Allen key	1

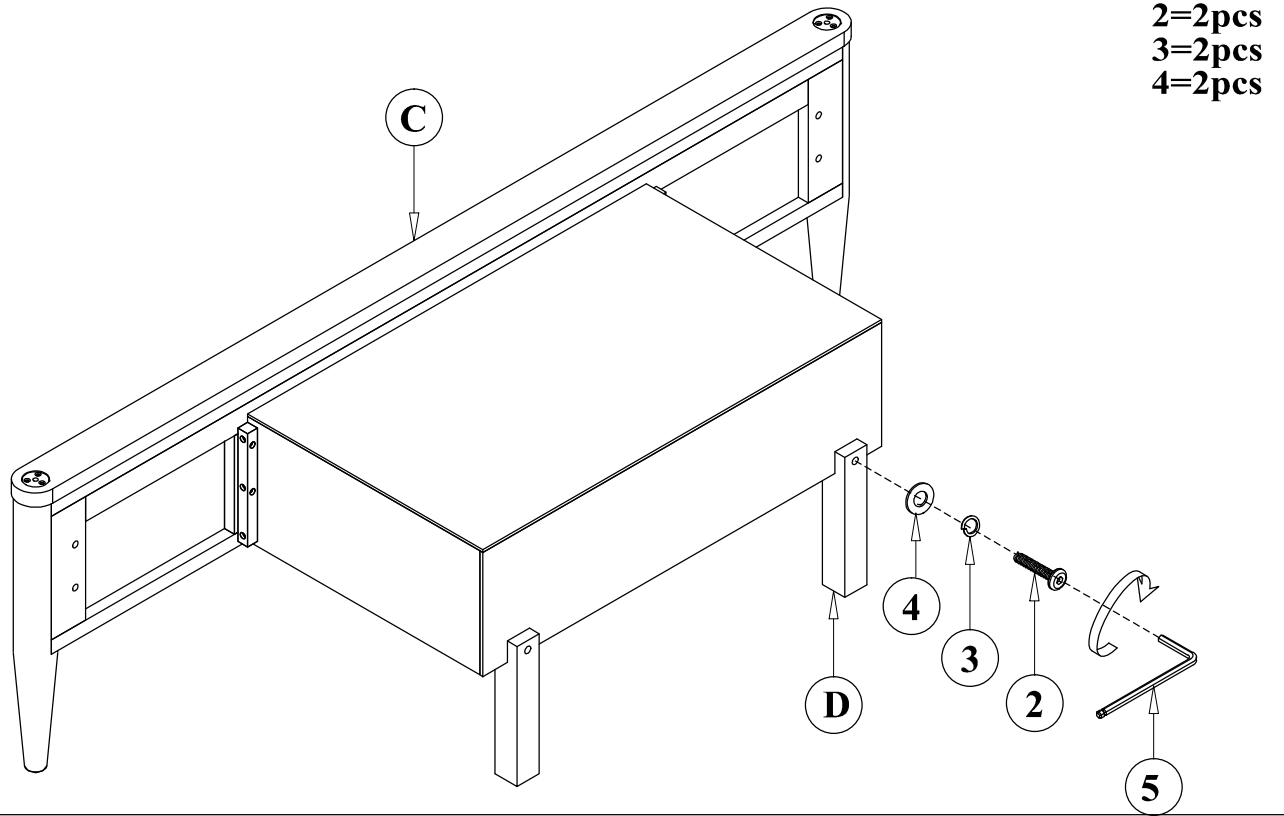
THE HAEDWARE IS LOCATED IN THE PACKING ITEM

**MUST: TIGHTEN SCREWS PERIODIACLLY. WITH USE SCREW
MAY ENCOME LOOSE CHECK TIGHTNESS OF ALL SCREWS EVERY 6-8
WEEKS.**

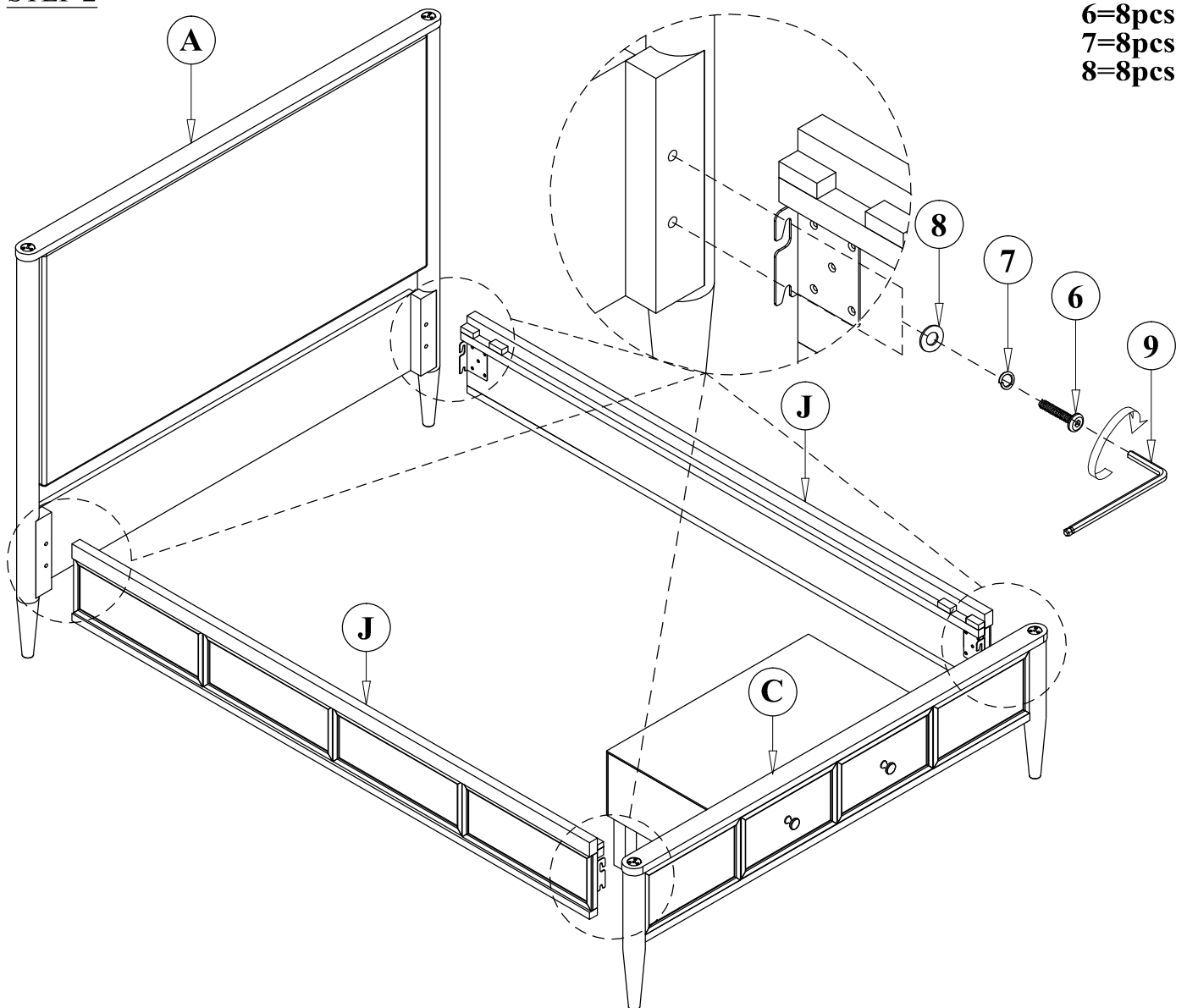
CLEANING INSTRUCTIONS:

**After assembly, clean and polish the completed parts if necessary with
soft cloth and industrial recognized furniture polish.**

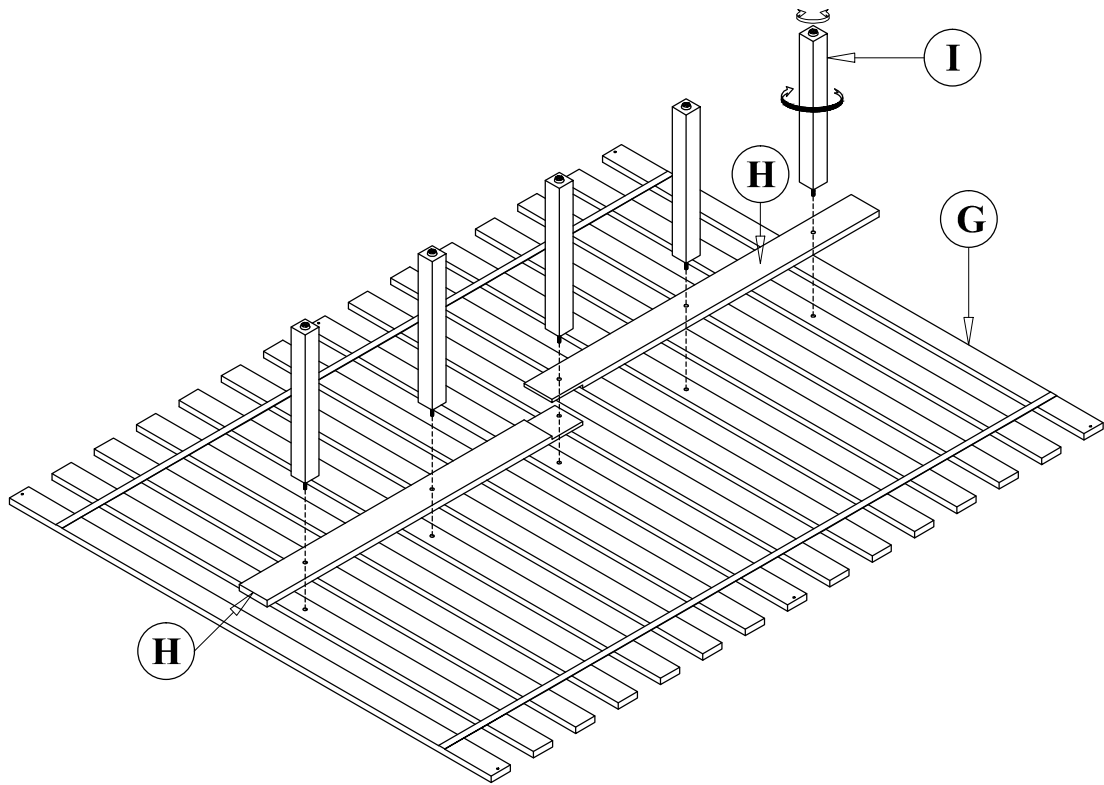
STEP 1



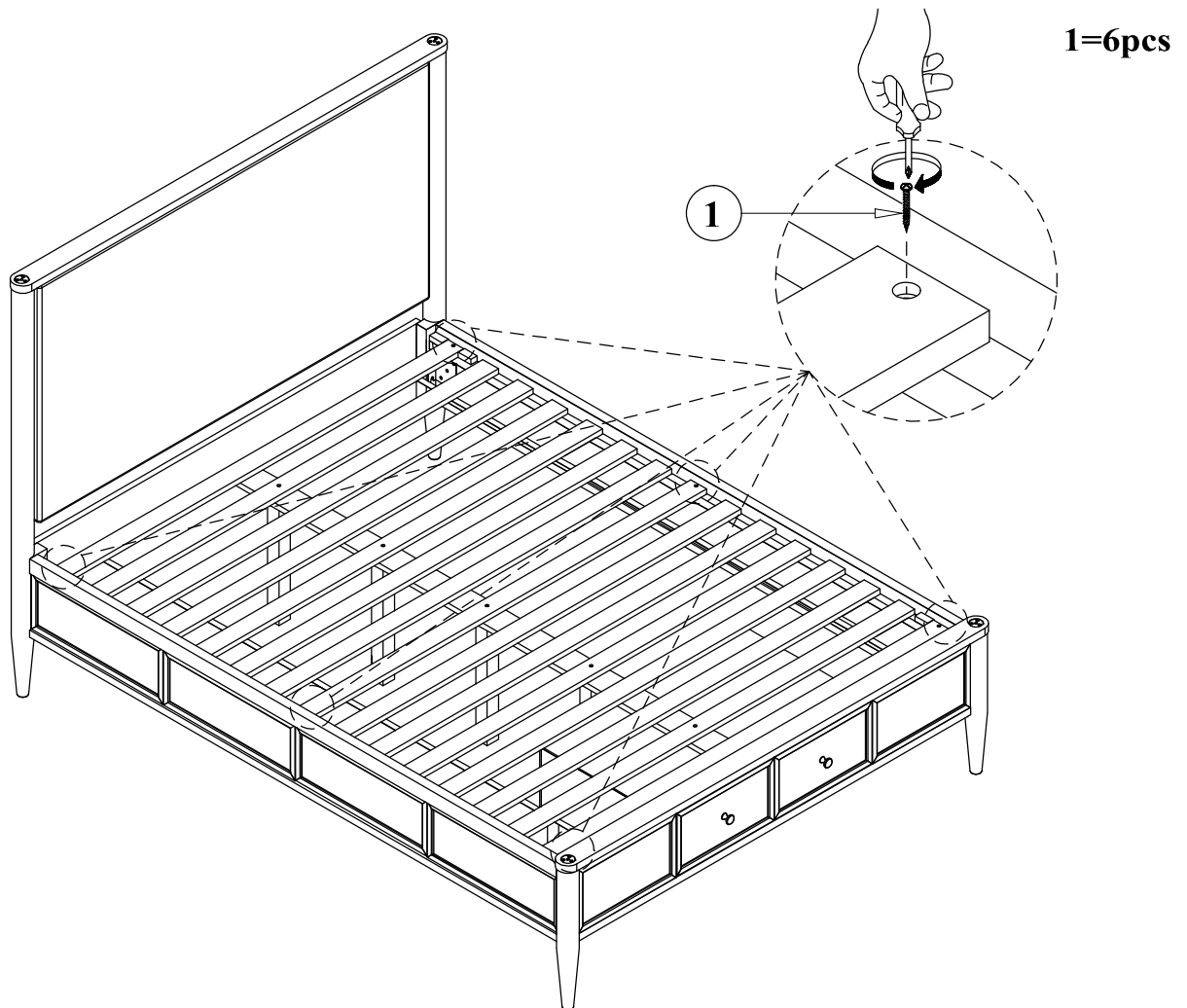
STEP 2



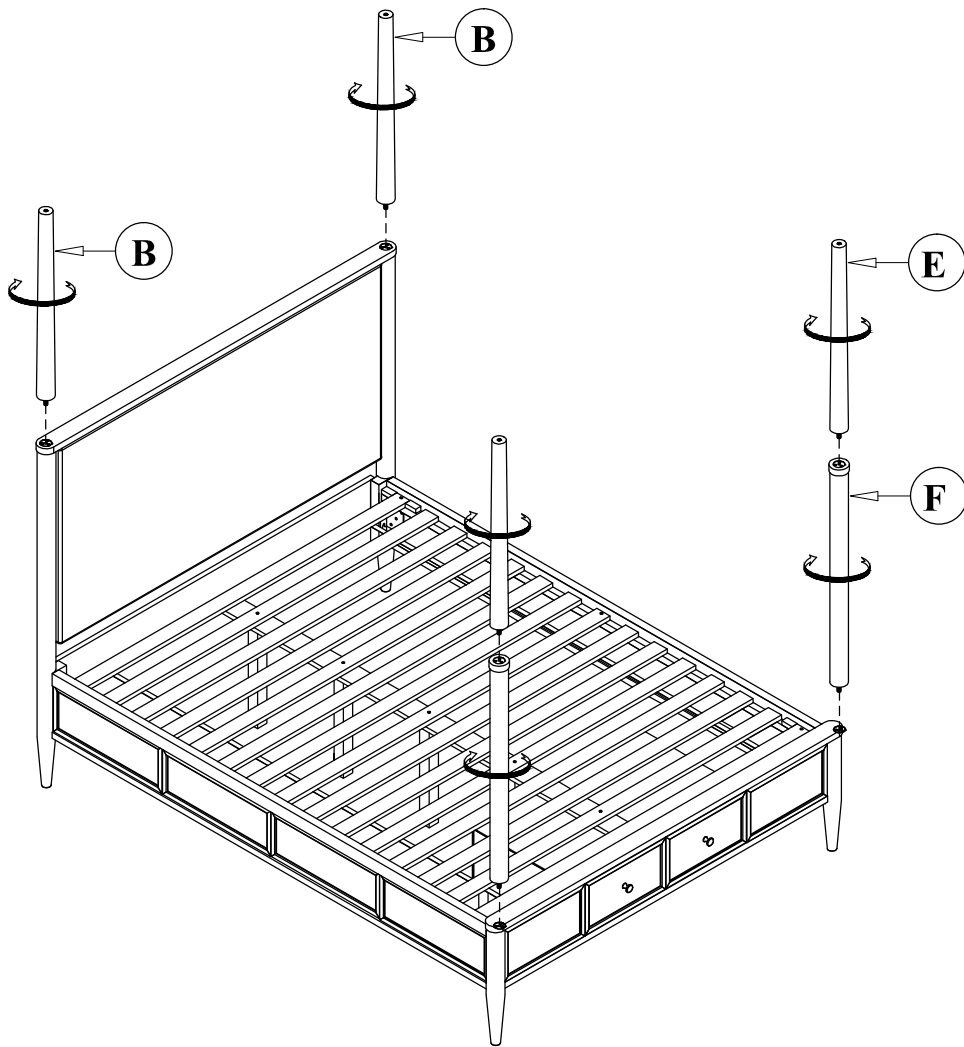
STEP 3



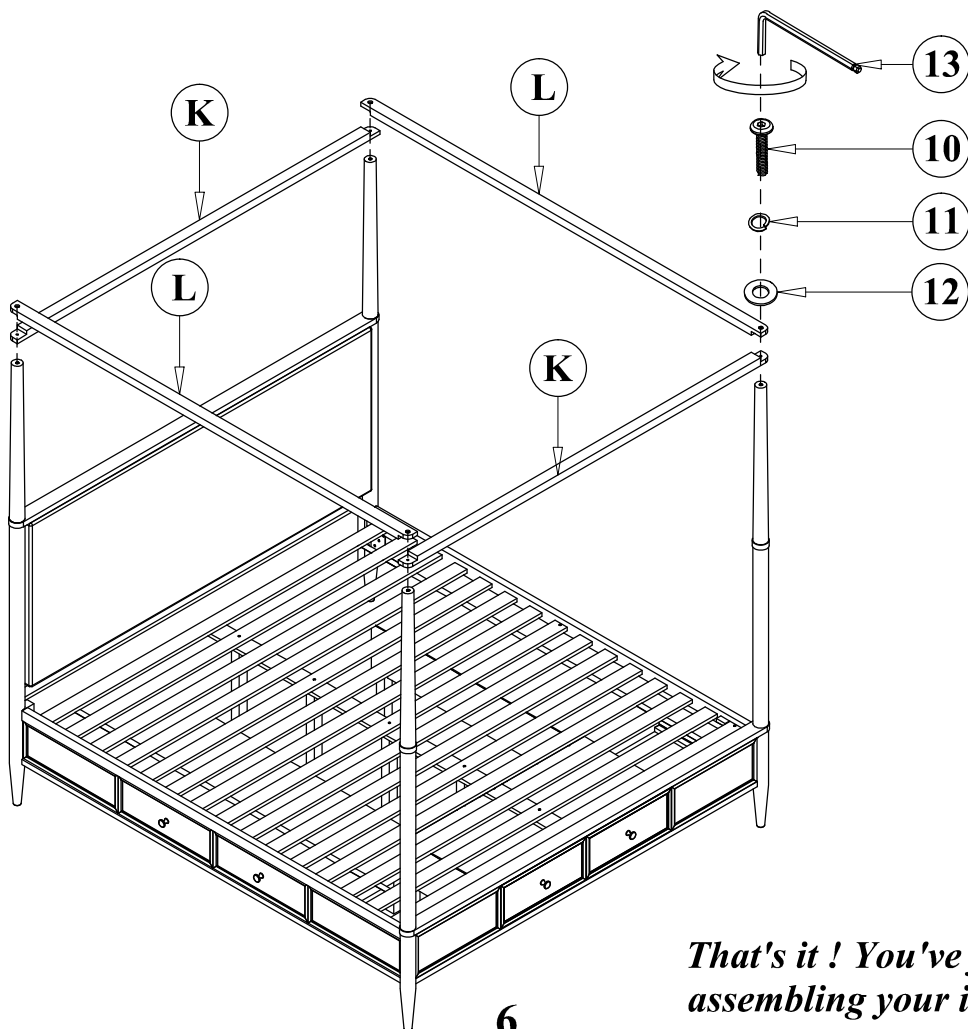
STEP 4



STEP 5



STEP 6



*That's it ! You've finished
assembling your item. Thank you!*