



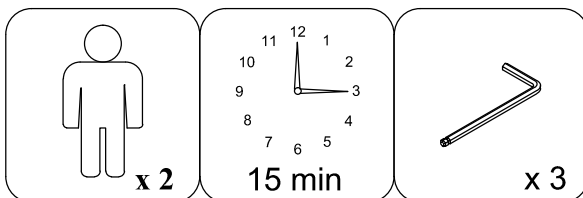
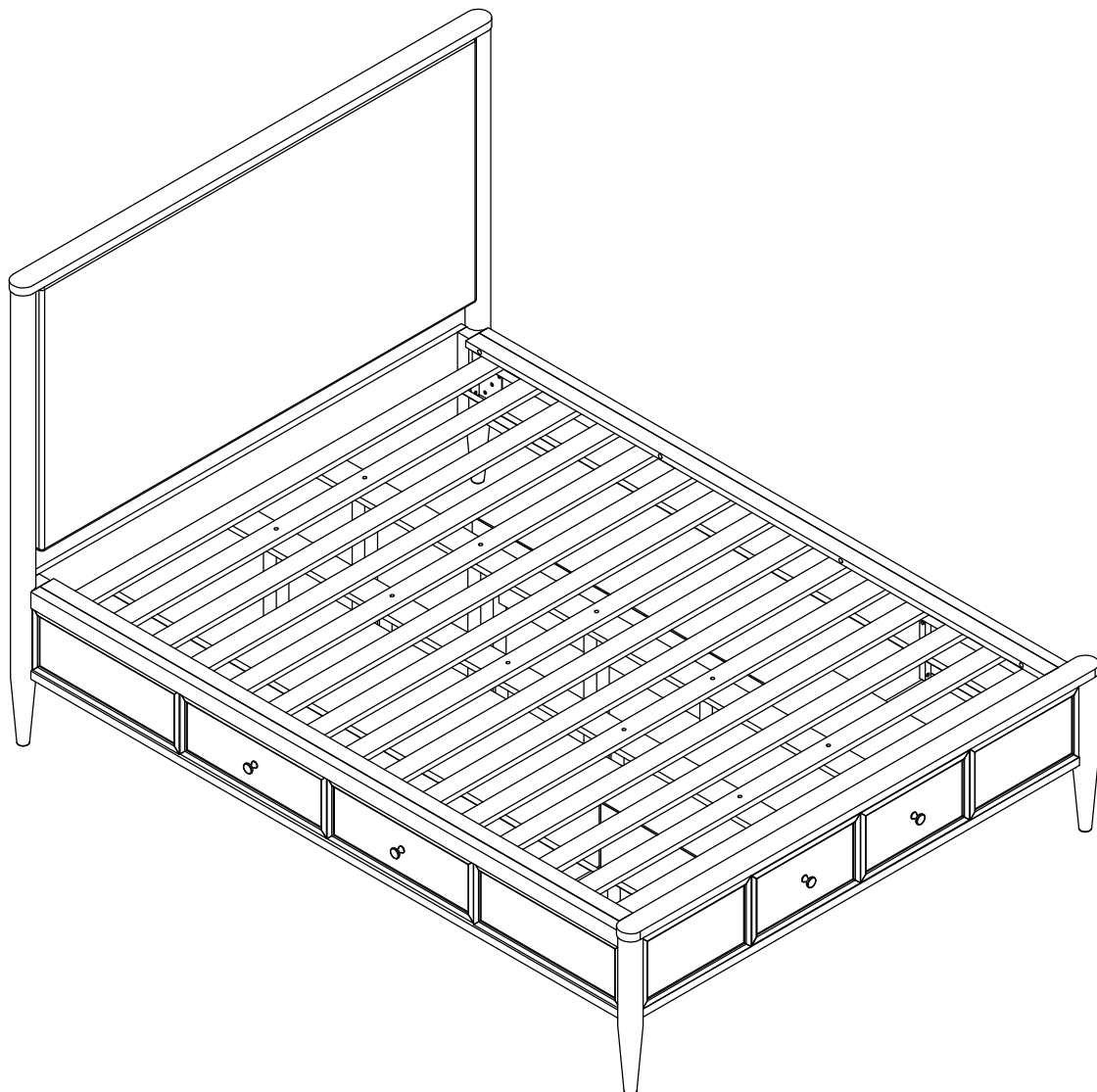
LIVING SPACES

ASSEMBLY INSTRUCTIONS



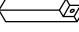
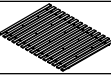

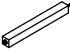

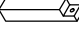

AUSTEN WHITE CALIFORNIA KING UPH BED W/ SIDE & FOOTBOARD STORAGE SKU:346171/346529/346638

AUSTEN WHITE CALIFORNIA KING PANEL BED W/ SIDE & FOOTBOARD STORAGE SKU:346099/346529/346638














NO	COMPONENT'S SKU	QUANTITY (Cartons)
1	346171/346099	1
2	346529	1
3	346638	2



1

PART	COMPONENT'S SKU	PART LIST Number	IMAGE	DECRPTION	QTY
(A)	346171/346099	346171/346099		Head Board	1
(B)	346529	346529-01		Storage Foot Board	1
(C)		346529-02		Foot Board back leg	2
(D)		346529-03		Slat	1 set
(E)		346529-04		Middle Support Bar	4
(F)		346529-05		Support With Leveler	10
(G)		346638	346638-01		Storage Side Rail
(H)	346638-02			Side Rail back leg	2
(I)	346638-03			Cap Rail	1

Hardware List

PART	COMPONENT'S SKU	Hardware List	IMAGE	DECRPTION	QTY
(1)	346529	346529-A01		Screw #8* 30mm	6
(2)		346529-A02		Bolts 1/4" *38mm	2
(3)		346529-A03		Spring Washer 1/4"*11mm	2
(4)		346529-A04		Flat Washer 1/4" *19mm	2
(5)		346529-A05		Allen key	1
(6)	346638	346638-A01		Bolts 5/16" *25mm	4
(7)		346638-A02		Spring Washer 5/16" Dia	4
(8)		346638-A03		Flat Washer 5/16" * Dia	4
(9)		346638-A04		Bolts 1/4" *38mm	2
(10)		346638-A05		Spring Washer 1/4"*11mm	2
(11)		346638-A06		Flat Washer 1/4" *19mm	2
(12)		346638-A07		Allen key	1
(13)		346638-A08		Bolts 1/4" *45mm	4

THE HAEDWARE IS LOCATED IN THE PACKING ITEM

MUST: TIGHTEN SCREWS PERIODIACLLY. WITH USE SCREW MAY ENCOME LOOSE CHECK TIGHTNESS OF ALL SCREWS EVERY 6-8 WEEKS.

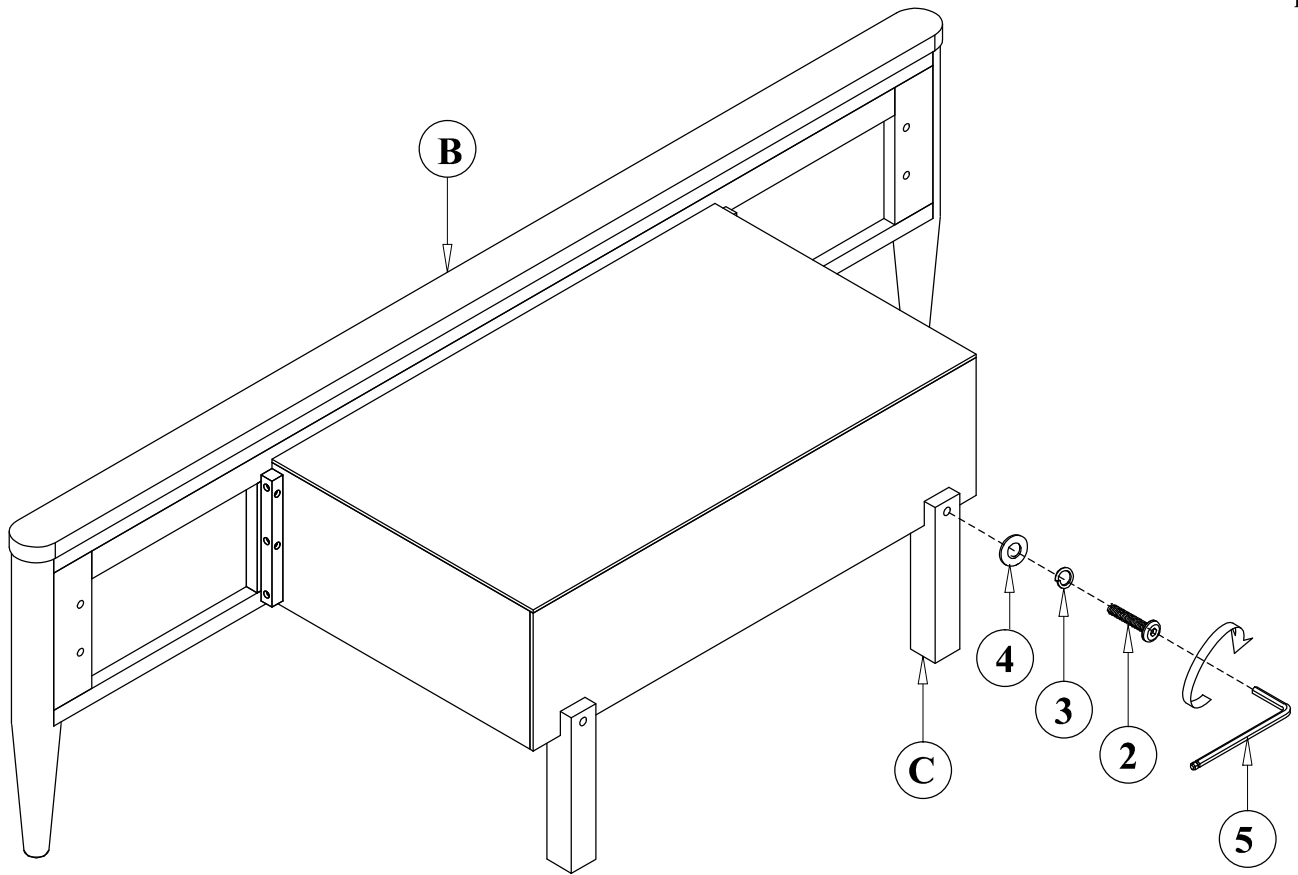
CLEANING INSTRUCTIONS:

After assembly, clean and polish the completed parts if necessary with soft cloth and industrial recognized furniture polish.

STEP 1

B

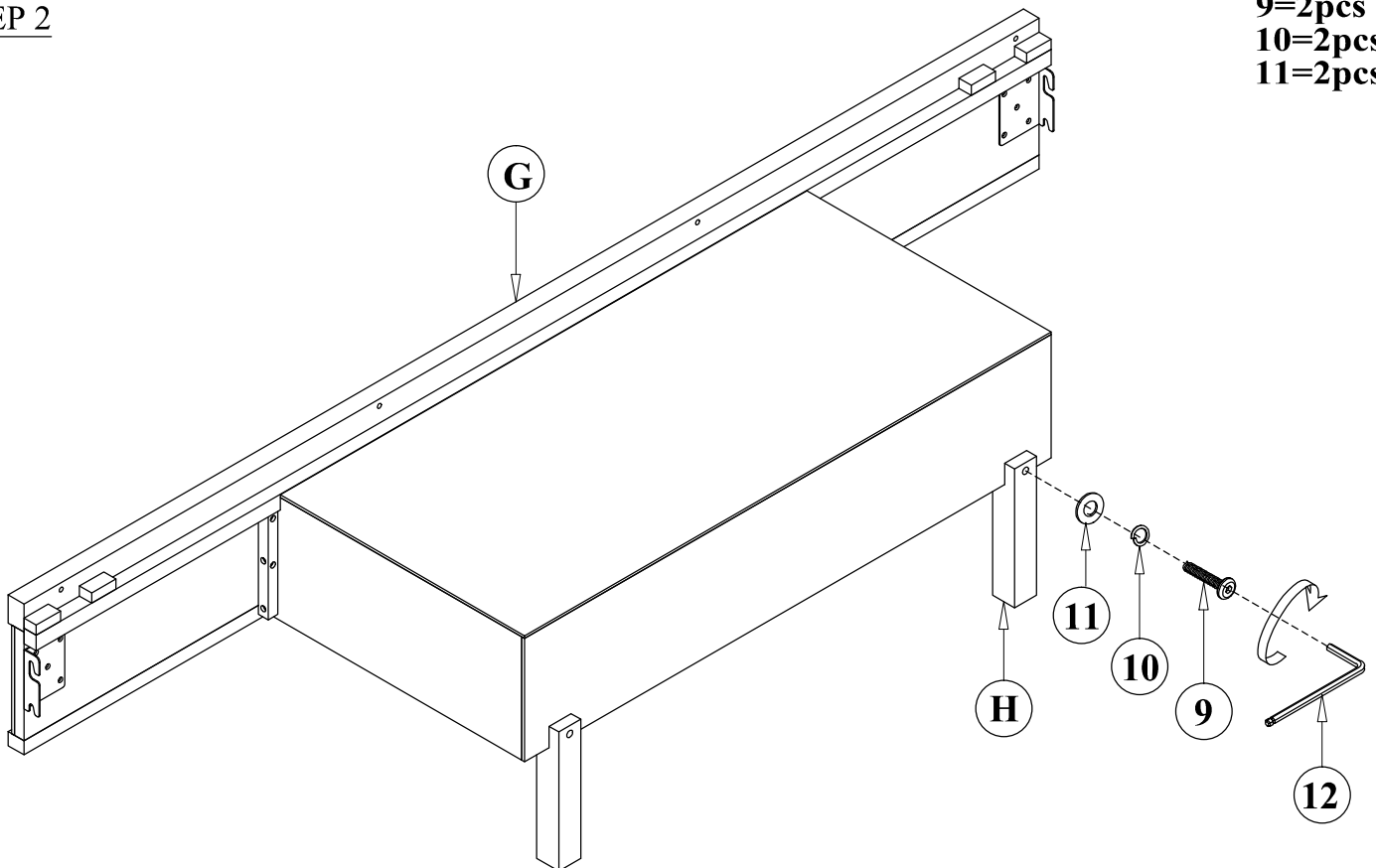
2=2pcs
3=2pcs
4=2pcs



STEP 2

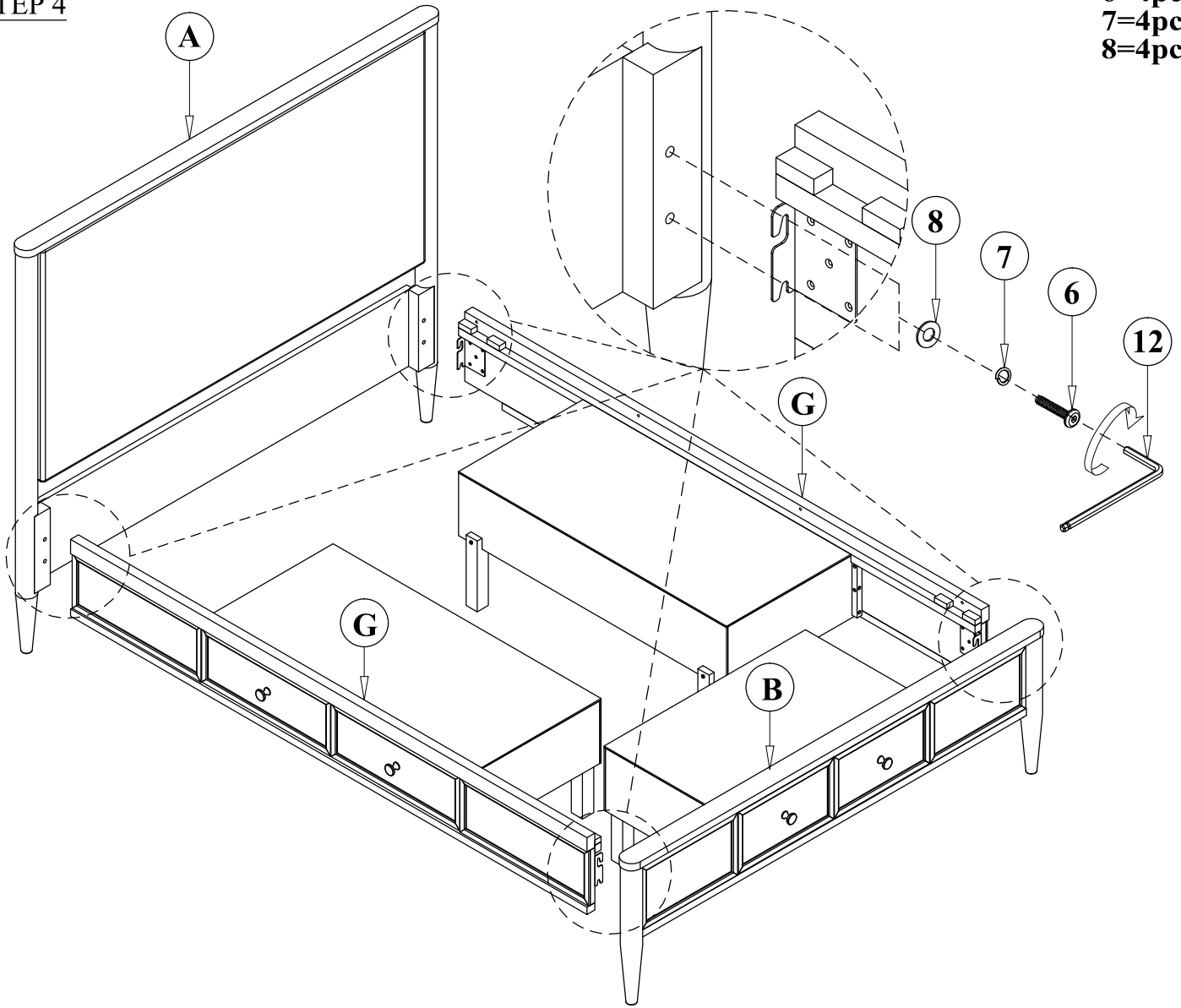
G

9=2pcs
10=2pcs
11=2pcs

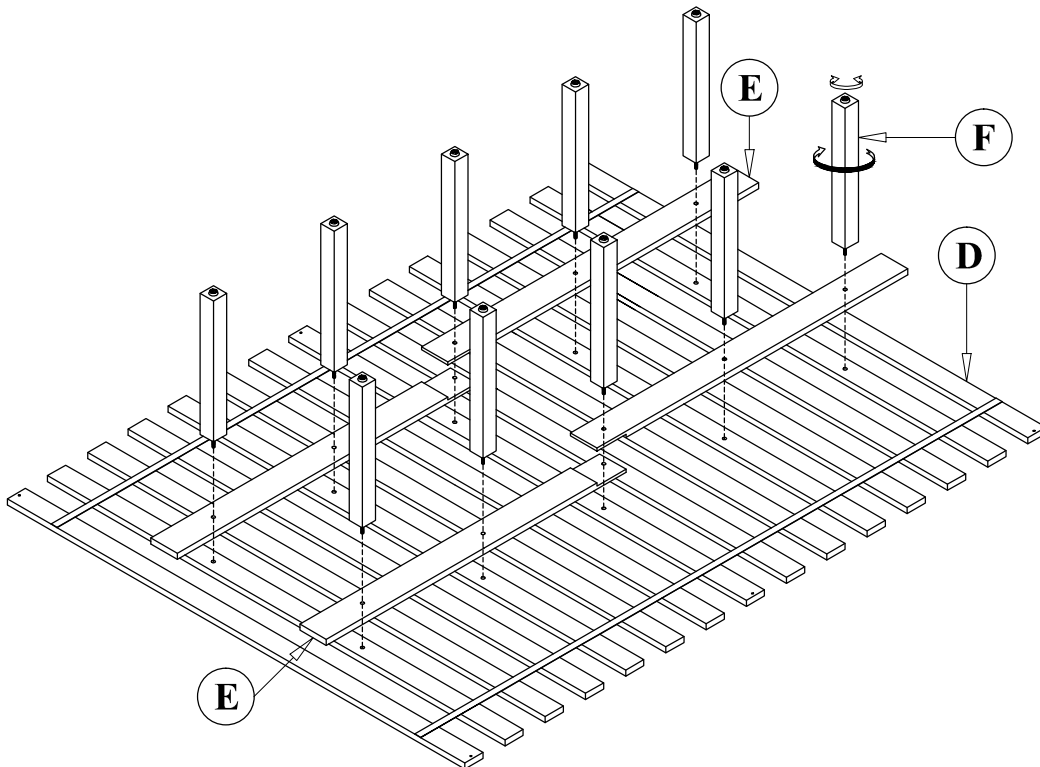


STEP 4

6=4pcs
7=4pcs
8=4pcs

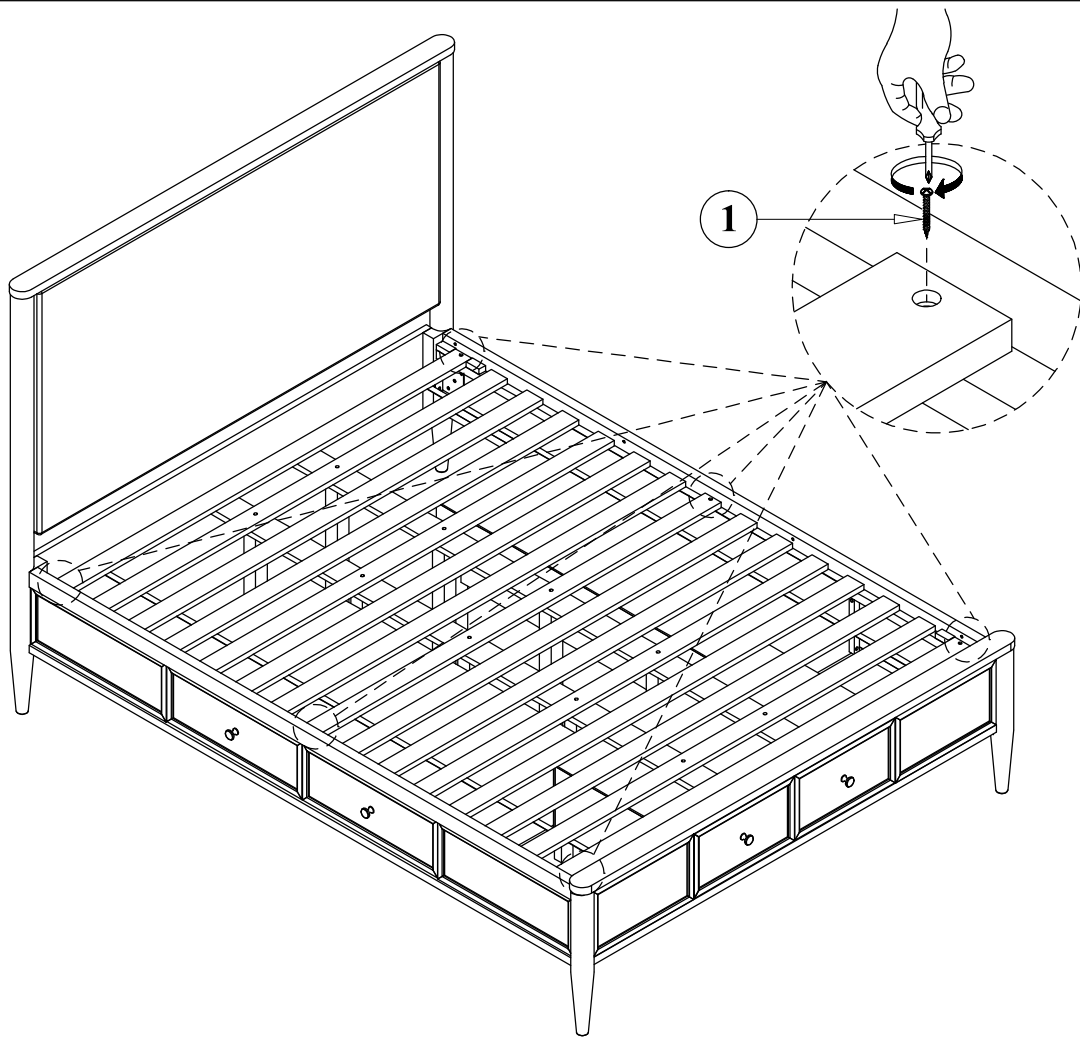


STEP 5



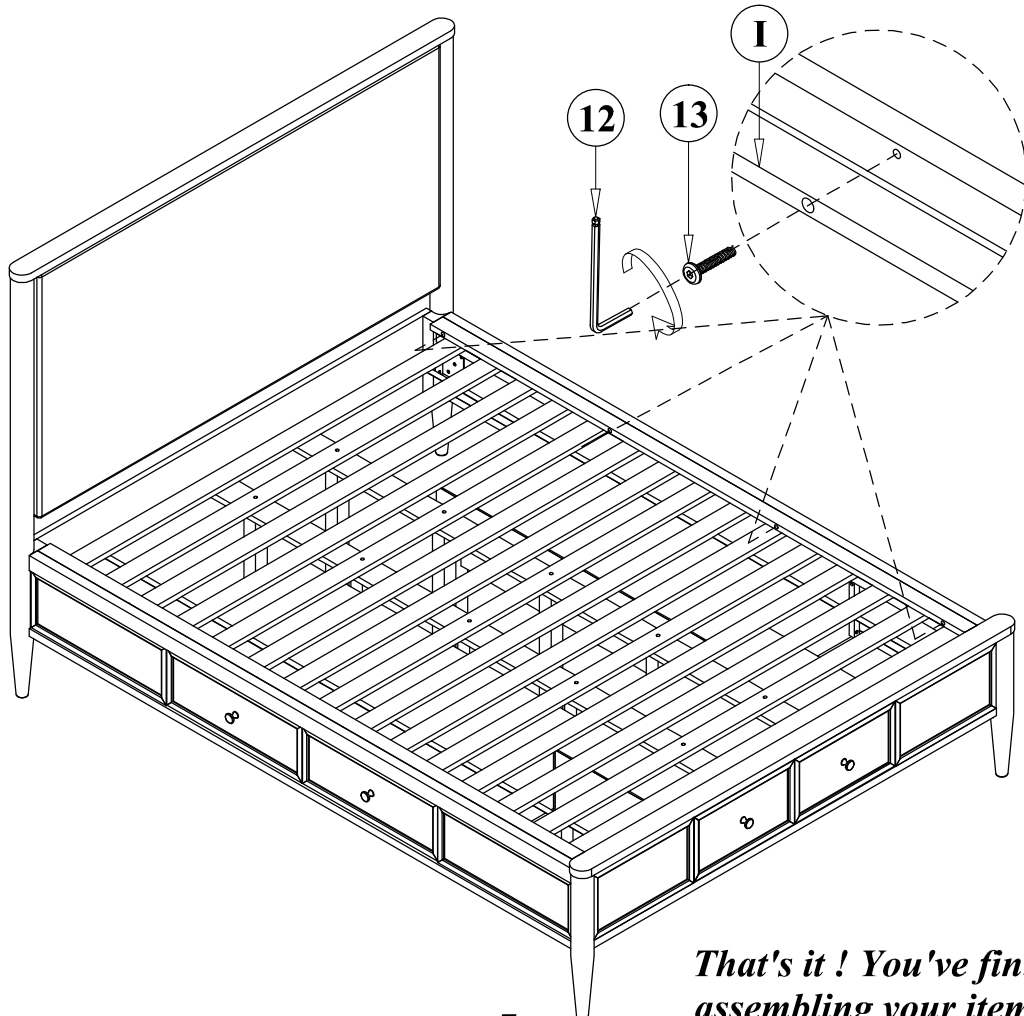
STEP 6

1=6pcs



STEP 7

13=4pcs



*That's it ! You've finished
assembling your item. Thank you!*