



LIVING SPACES

ASSEMBLY INSTRUCTIONS

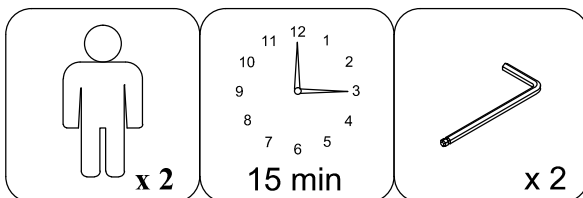
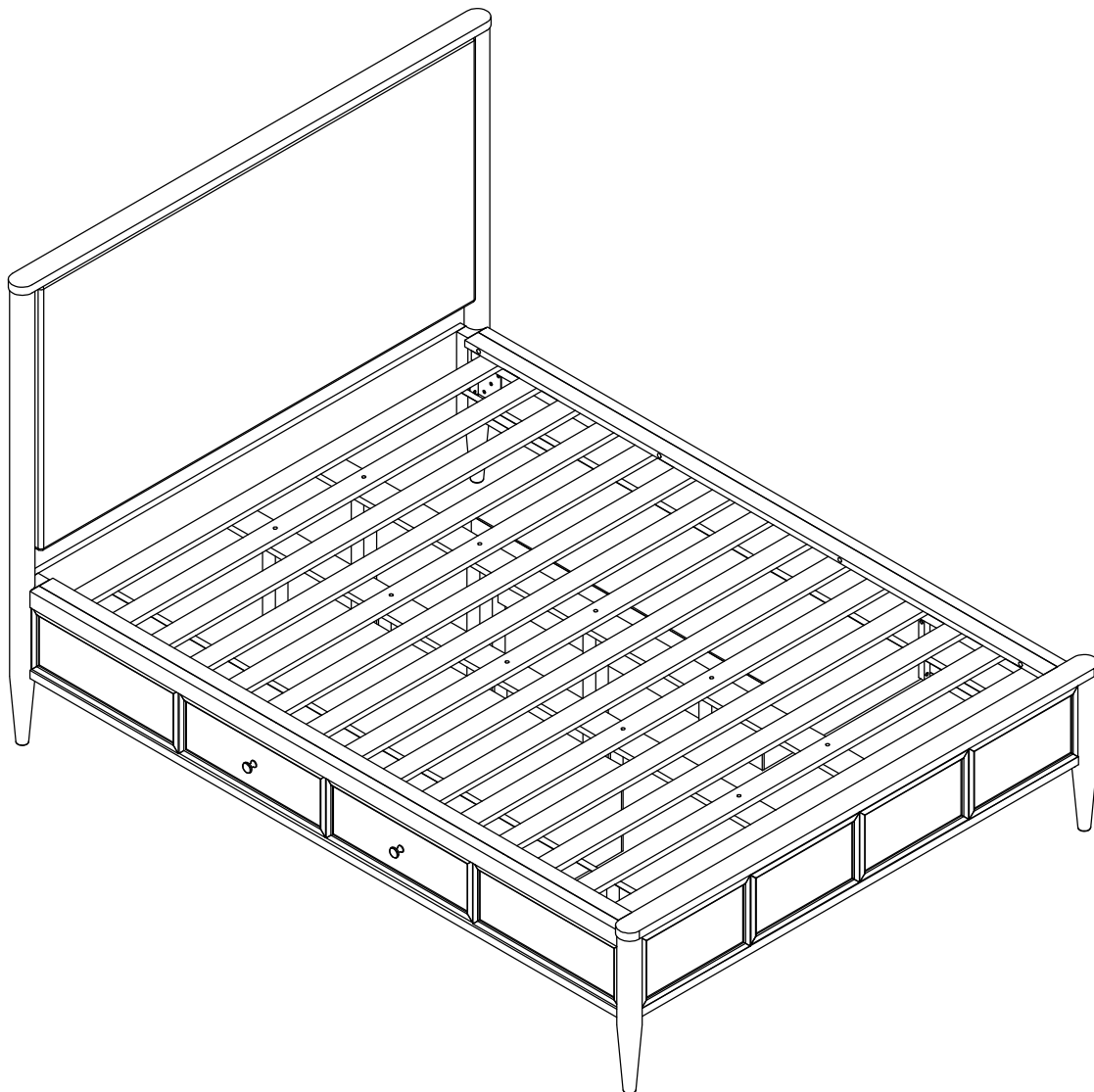
**AUSTEN WHITE CALIFORNIA KING UPH BED
W/ SIDE STORAGE**

SKU:346171/346140/346638



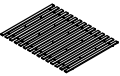
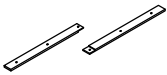
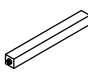
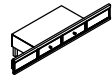
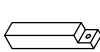

**AUSTEN WHITE CALIFORNIA KING PANEL
BED W/ SIDE STORAGE**

SKU:346099/346140/346638










NO	COMPONENT'S SKU	QUANTITY (Cartons)
1	346171/346099	1
2	346140	1
3	346638	2



1

PART	COMPONENT'S SKU	PART LIST Number	IMAGE	DESCRIPTION	QTY
(A)	346171/346099	346171/346099		Head Board	1
(B)	346140	346140-01		Foot Board	1
(C)		346140-02		Slat	1set
(D)		346140-03		Middle Support Bar	4
(E)		346140-04		Support With Leveler	10
(F)		346638	346638-01		Storage Side Rail
(G)	346638-02			Side Rail back leg	2
(H)	346638-03			Cap Rail	1

Hardware List

PART	COMPONENT'S SKU	Hardware List	IMAGE	DESCRIPTION	QTY
(1)	346140	346140-A01		Screw #8* 30mm	6
(2)	346638	346638-A01		Bolts 1/4" *38mm	2
(3)		346638-A02		Spring Washer 1/4"*11mm	2
(4)		346638-A03		Flat Washer 1/4" *19mm	2
(5)		346638-A04		Bolts 5/16" *25mm	4
(6)		346638-A05		Spring Washer 5/16" Dia	4
(7)		346638-A06		Flat Washer 5/16" * Dia	4
(8)		346638-A07		Allen key	1
(9)		346638-A08		Bolts 1/4" *45mm	4

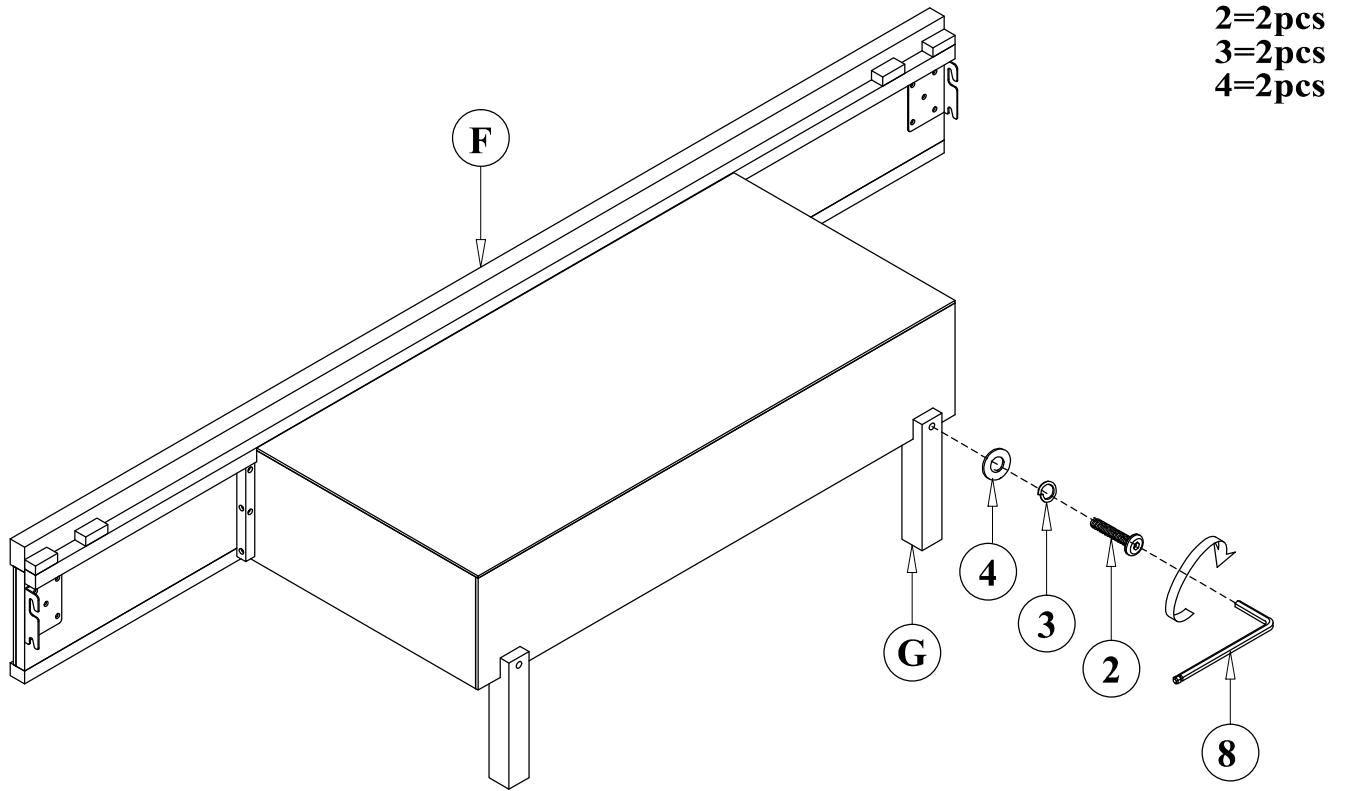
THE HARDWARE IS LOCATED IN THE PACKING ITEM

MUST: TIGHTEN SCREWS PERIODIACLLY. WITH USE SCREW MAY ENCOME LOOSE CHECK TIGHTNESS OF ALL SCREWS EVERY 6-8 WEEKS.

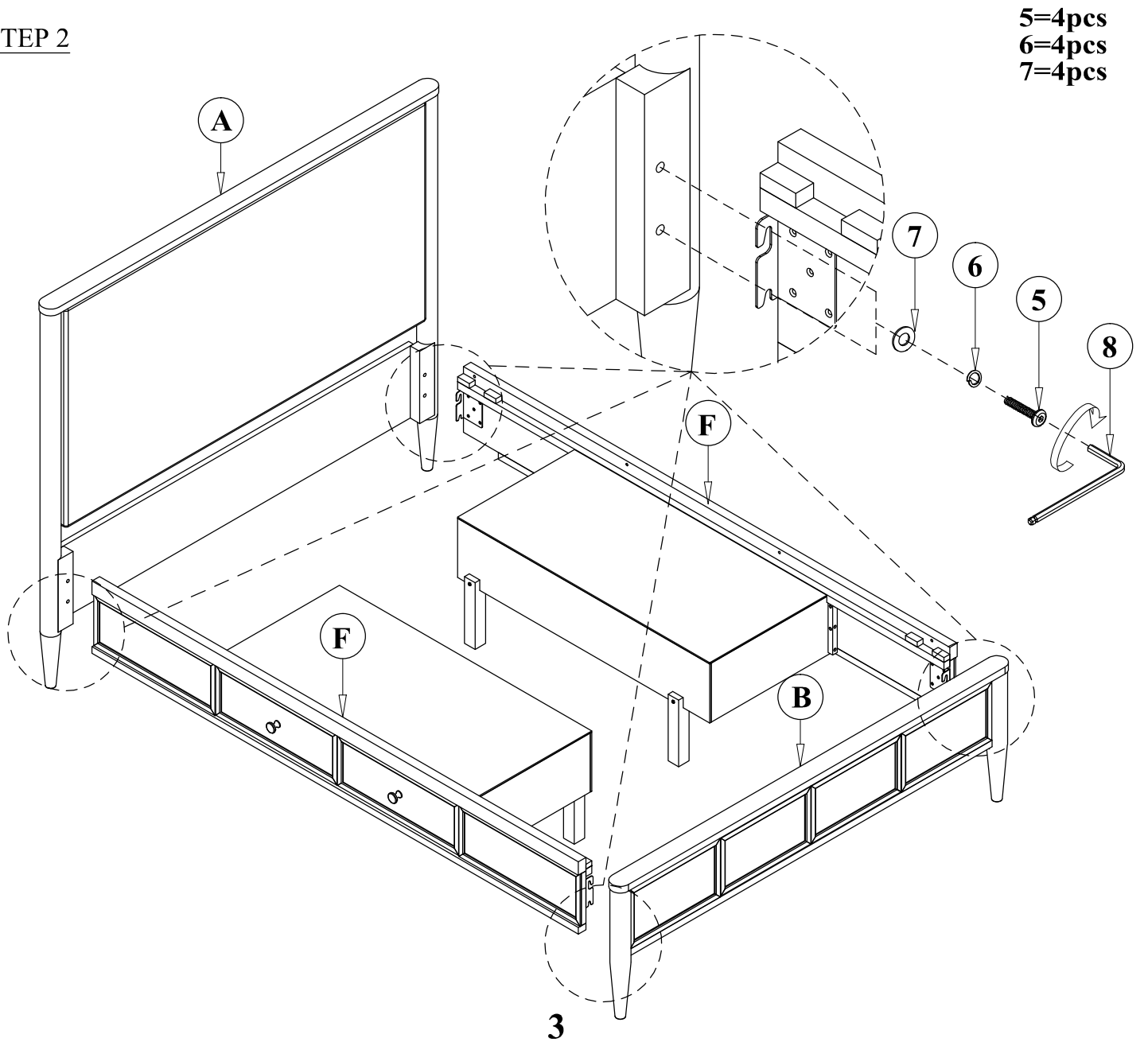
CLEANING INSTRUCTIONS:

After assembly, clean and polish the completed parts if necessary with soft cloth and industrial recognized furniture polish.

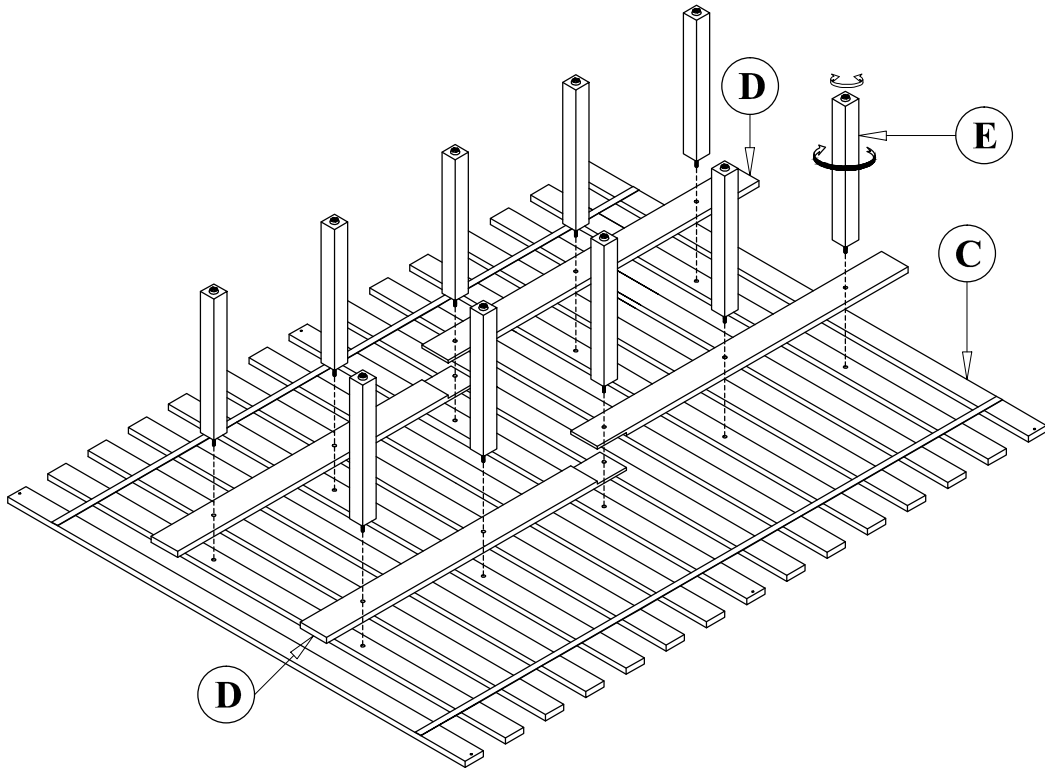
STEP 1



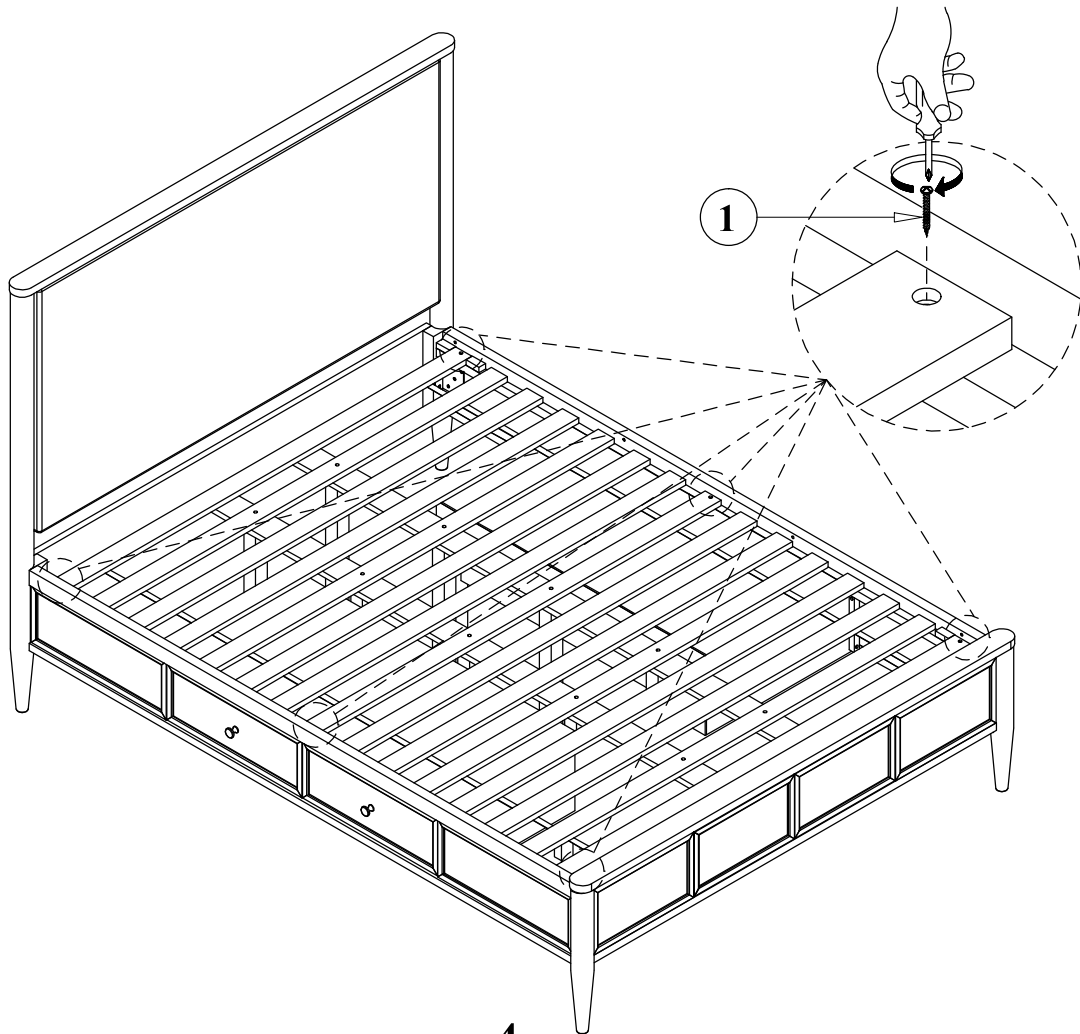
STEP 2



STEP 3



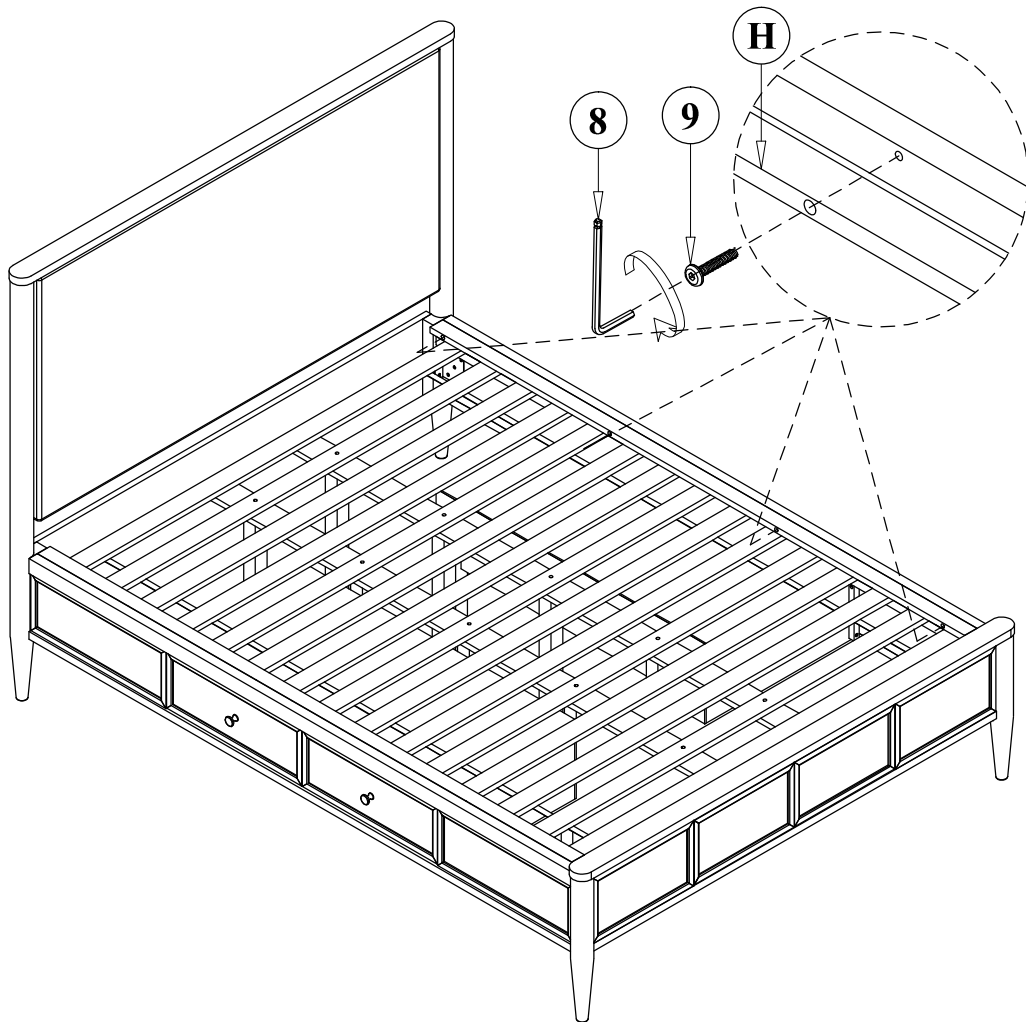
STEP 4



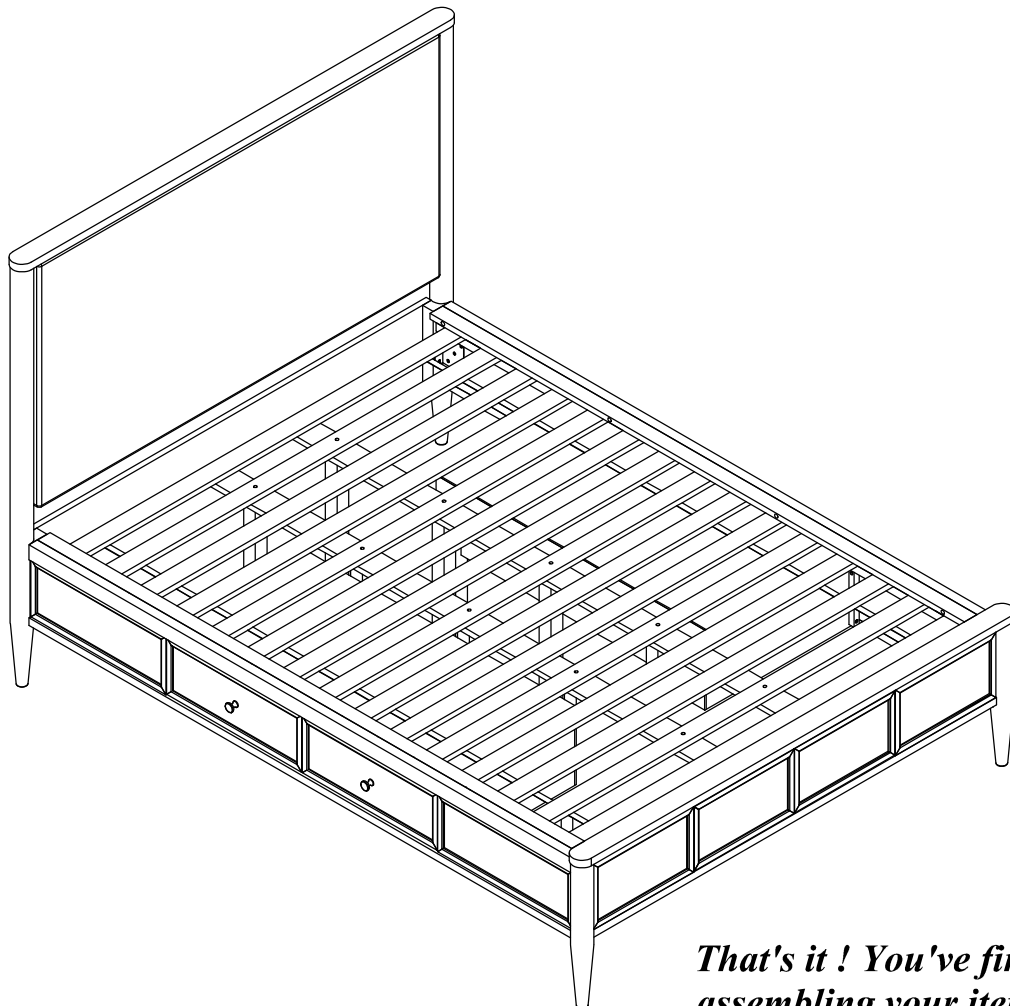
1=6pcs

STEP 6

9=4pcs



STEP 7



5

That's it ! You've finished assembling your item. Thank you!