



LIVING SPACES

ASSEMBLY INSTRUCTIONS

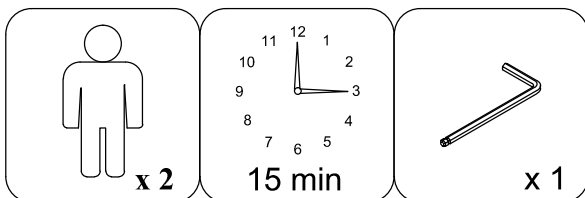
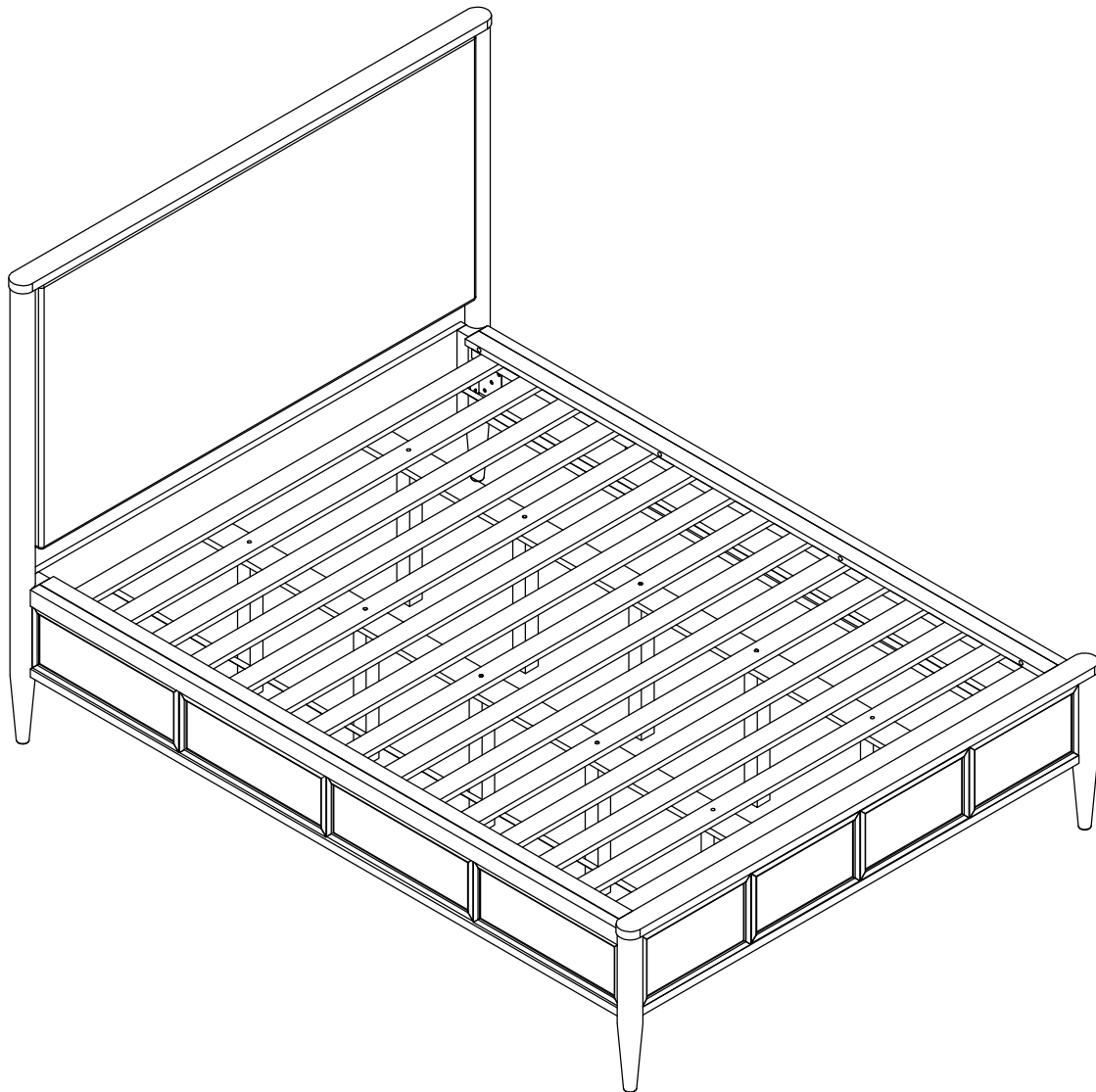
AUSTEN WHITE CALIFORNIA KING UPH BED

SKU:346171/346140/346629

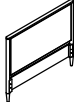
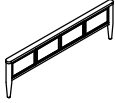
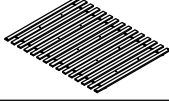
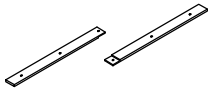
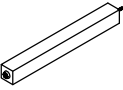
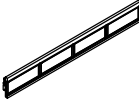

AUSTEN WHITE CALIFORNIA KING PANEL BED

SKU:346099/346140/346629


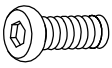
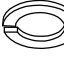

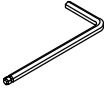

NO	COMPONENT'S SKU	QUANTITY (Cartons)
1	346171/346099	1
2	346140	1
3	346629	1



1

PART	COMPONENT'S SKU	PART LIST Number	IMAGE	DESCRIPTION	QTY
(A)	346171/346099	346171/346099		Head Board	1
(B)	346140	346140-01		Foot Board	1
(C)		346140-02		Slat	1 set
(D)		346140-03		Middle Support Bar	4
(E)		346140-04		Support With Leveler	10
(F)	346629	346629-01		Side Rail	2
(G)		346629-02		Cap Rail	2

Hardware List

PART	COMPONENT'S SKU	Hardware List	IMAGE	DESCRIPTION	QTY
(1)	346140	346140-A01		Screw #8* 30mm	6
(2)	346629	346629-A01		Bolts 5/16" *25mm	8
(3)		346629-A02		Spring Washer 5/16" Dia	8
(4)		346629-A03		Flat Washer 5/16" * Dia	8
(5)		346629-A04		Allen key	1
(6)		346629-A05		Bolts 1/4" *45mm	8

THE HARDWARE IS LOCATED IN THE PACKING ITEM

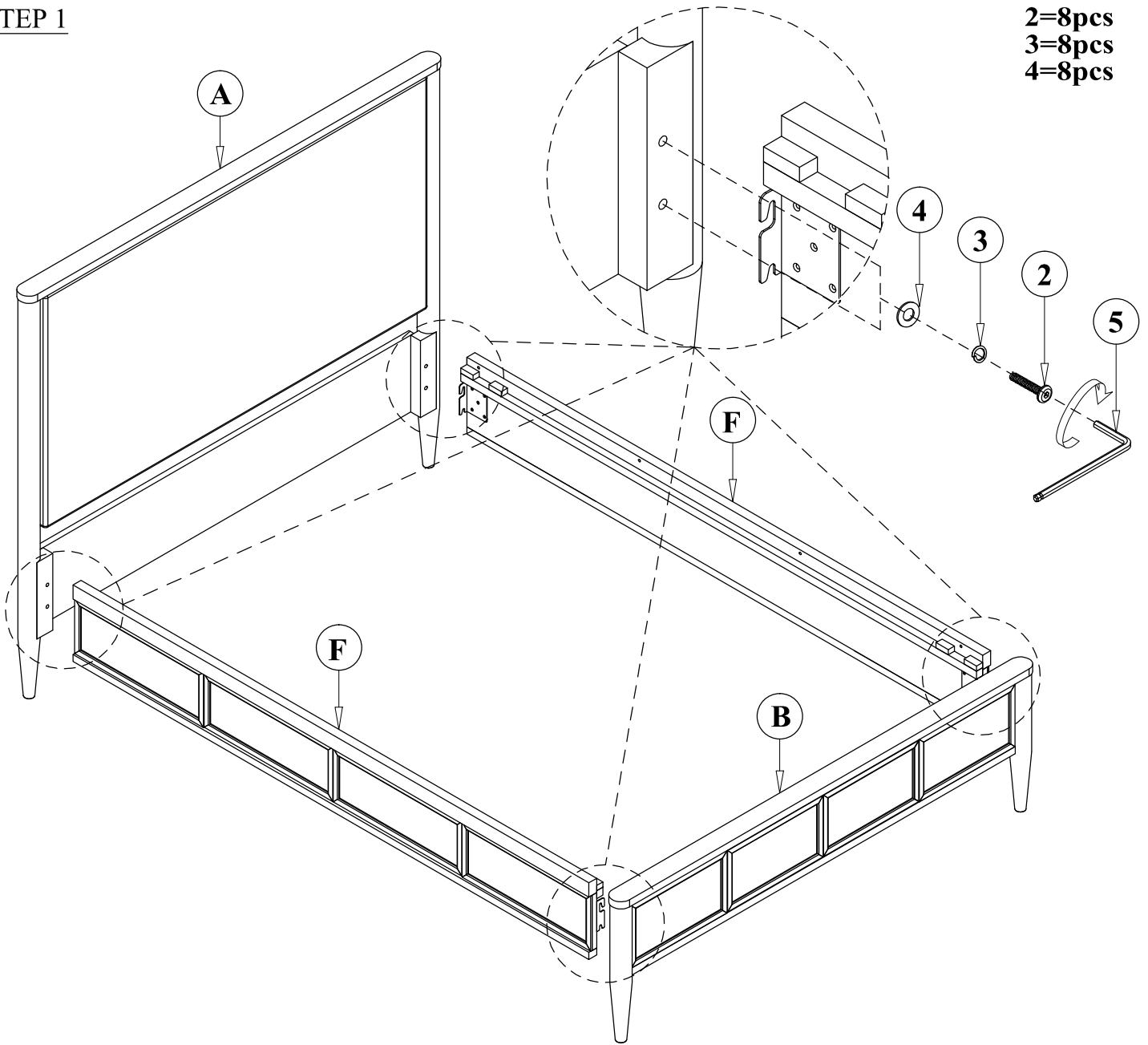
MUST: TIGHTEN SCREWS PERIODIACLLY. WITH USE SCREW MAY ENCOME LOOSE CHECK TIGHTNESS OF ALL SCREWS EVERY 6-8 WEEKS.

CLEANING INSTRUCTIONS:

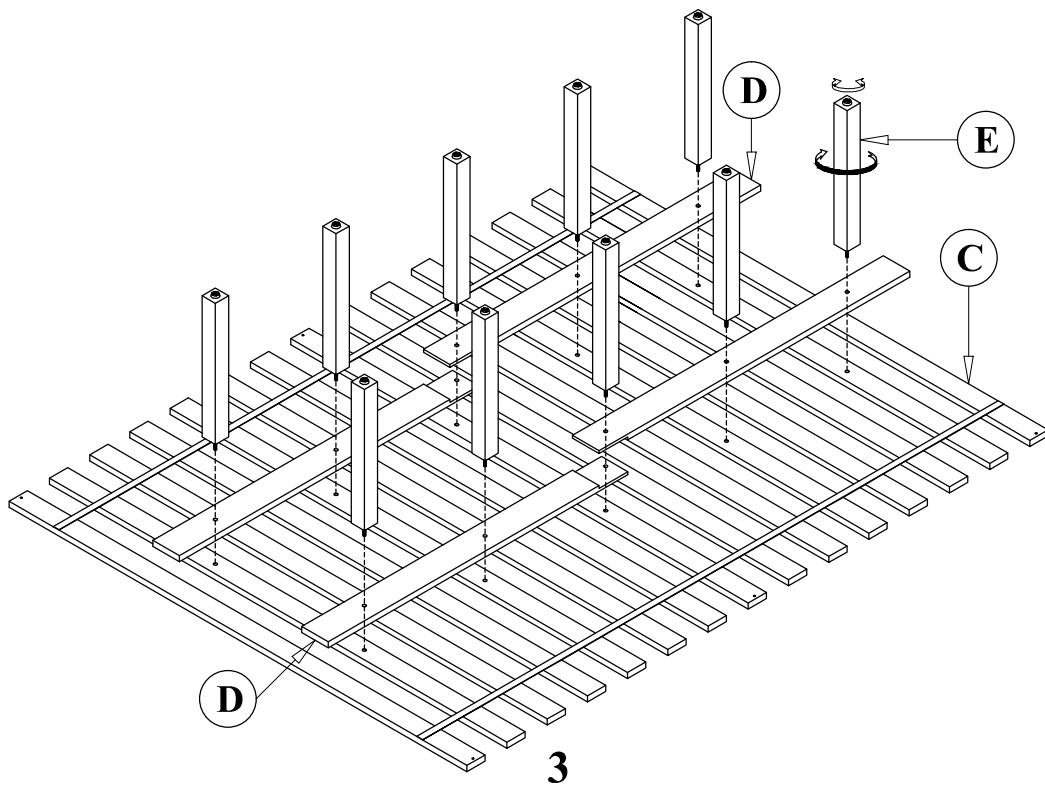
After assembly, clean and polish the completed parts if necessary with soft cloth and industrial recognized furniture polish.

STEP 1

2=8pcs
3=8pcs
4=8pcs

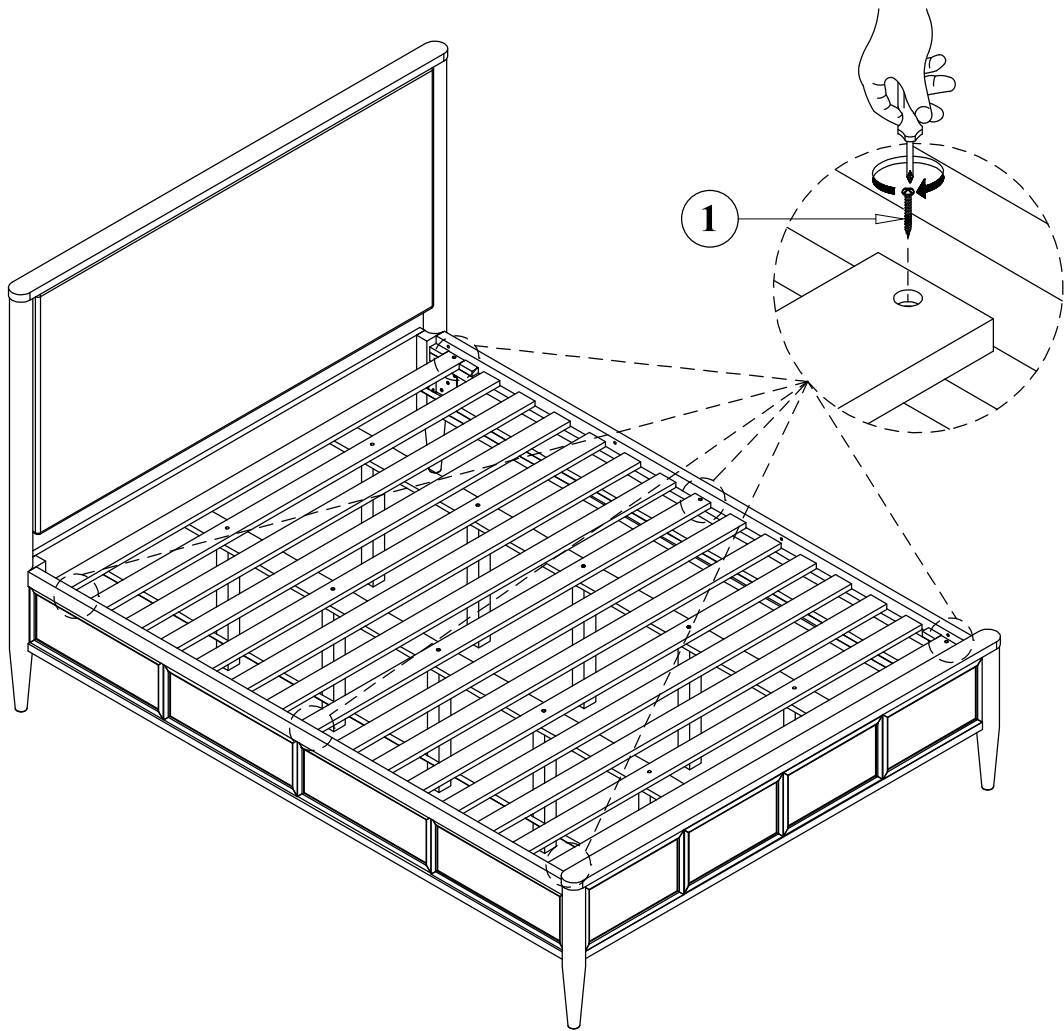


STEP 2



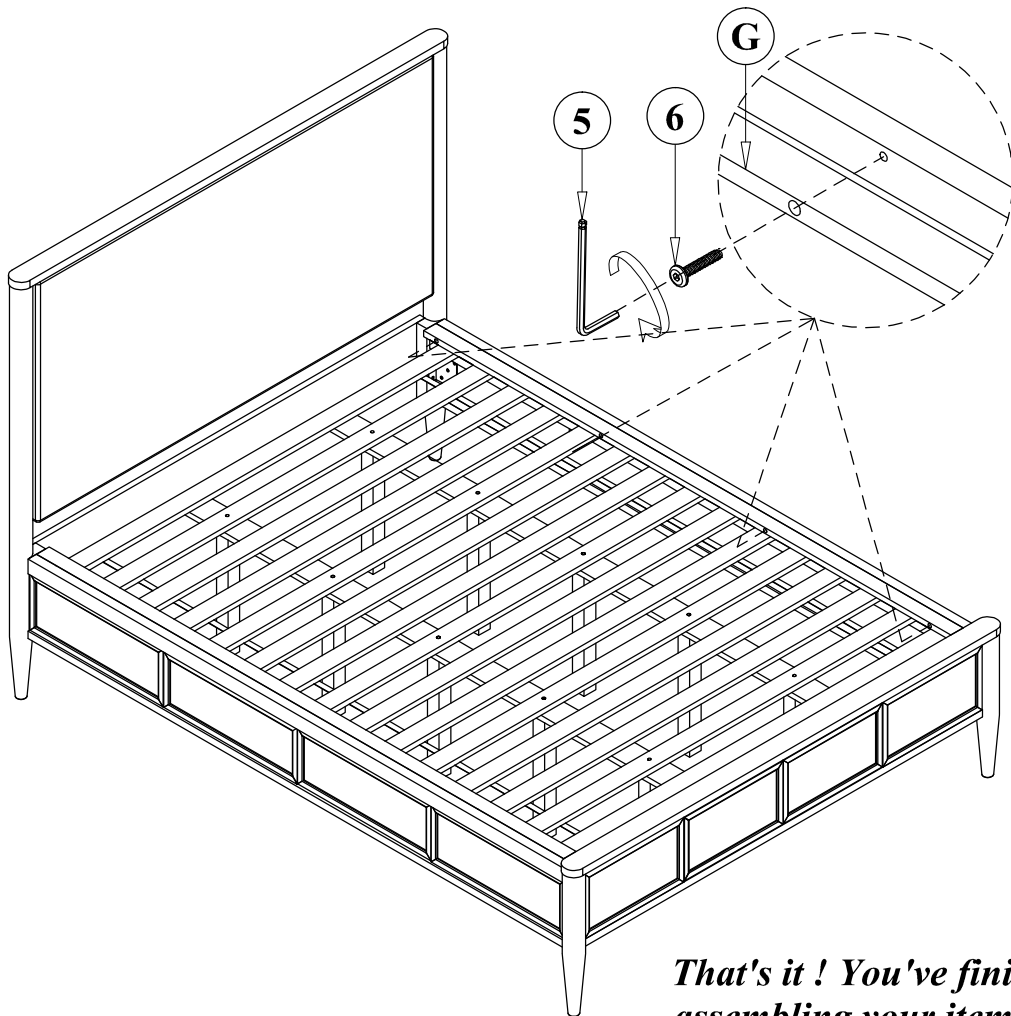
STEP 3

1=6pcs



STEP 4

6=8pcs



*That's it ! You've finished
assembling your item. Thank you!*