



LIVING SPACES

ASSEMBLY INSTRUCTIONS

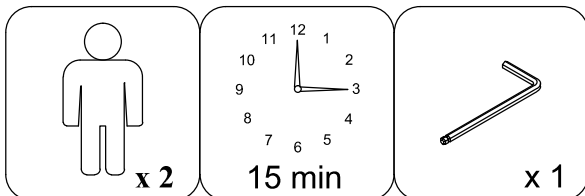
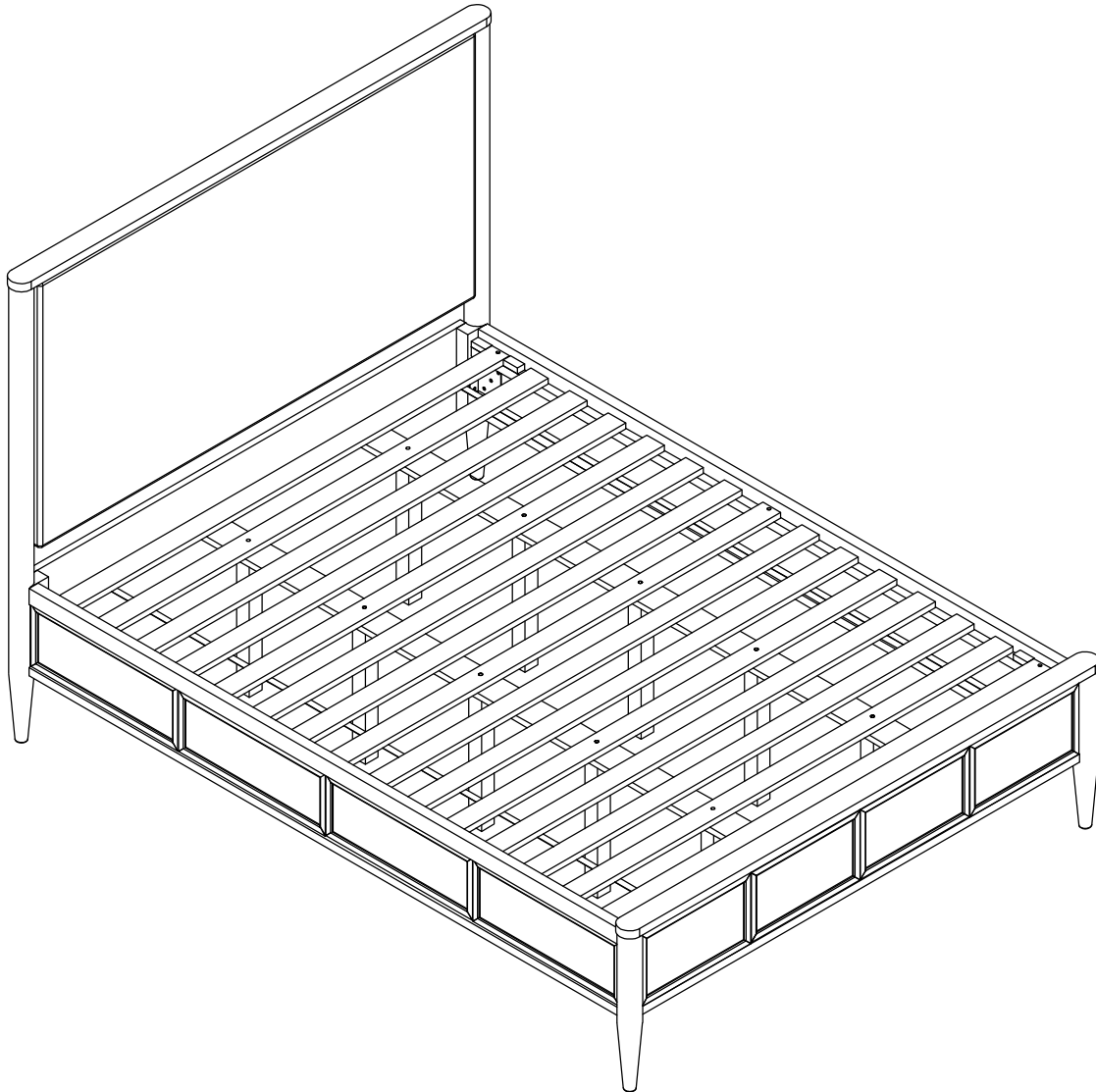
AUSTEN WHITE KING UPH BED


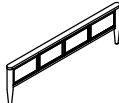
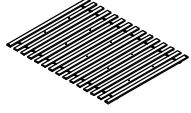
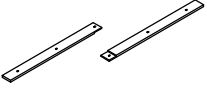
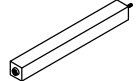
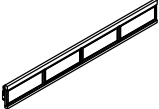
SKU:346171/346140/346637

AUSTEN WHITE KING PANEL BED


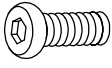



SKU:346099/346140/346637

NO	COMPONENT'S SKU	QUANTITY (Cartons)
1	346171/346099	1
2	346140	1
3	346637	1



PART	COMPONENT'S SKU	PART LIST Number	IMAGE	DESCRIPTION	QTY
Ⓐ	346171/346099	346171/346099		Head Board	1
Ⓑ	346140	346140-01		Foot Board	1
Ⓒ		346140-02		Slat	1 set
Ⓓ		346140-03		Middle Support Bar	4
Ⓔ		346140-04		Support With Leveler	10
Ⓕ	346637	346637		Side Rail	2

Hardware List

PART	COMPONENT'S SKU	Hardware List	IMAGE	DESCRIPTION	QTY
①	346140	346140-A01		Screw #8* 30mm	6
②	346637	346637-A01		Bolts 5/16" *25mm	8
③		346637-A02		Spring Washer 5/16" Dia	8
④		346637-A03		Flat Washer 5/16" * Dia	8
⑤		346637-A04		Allen key	1

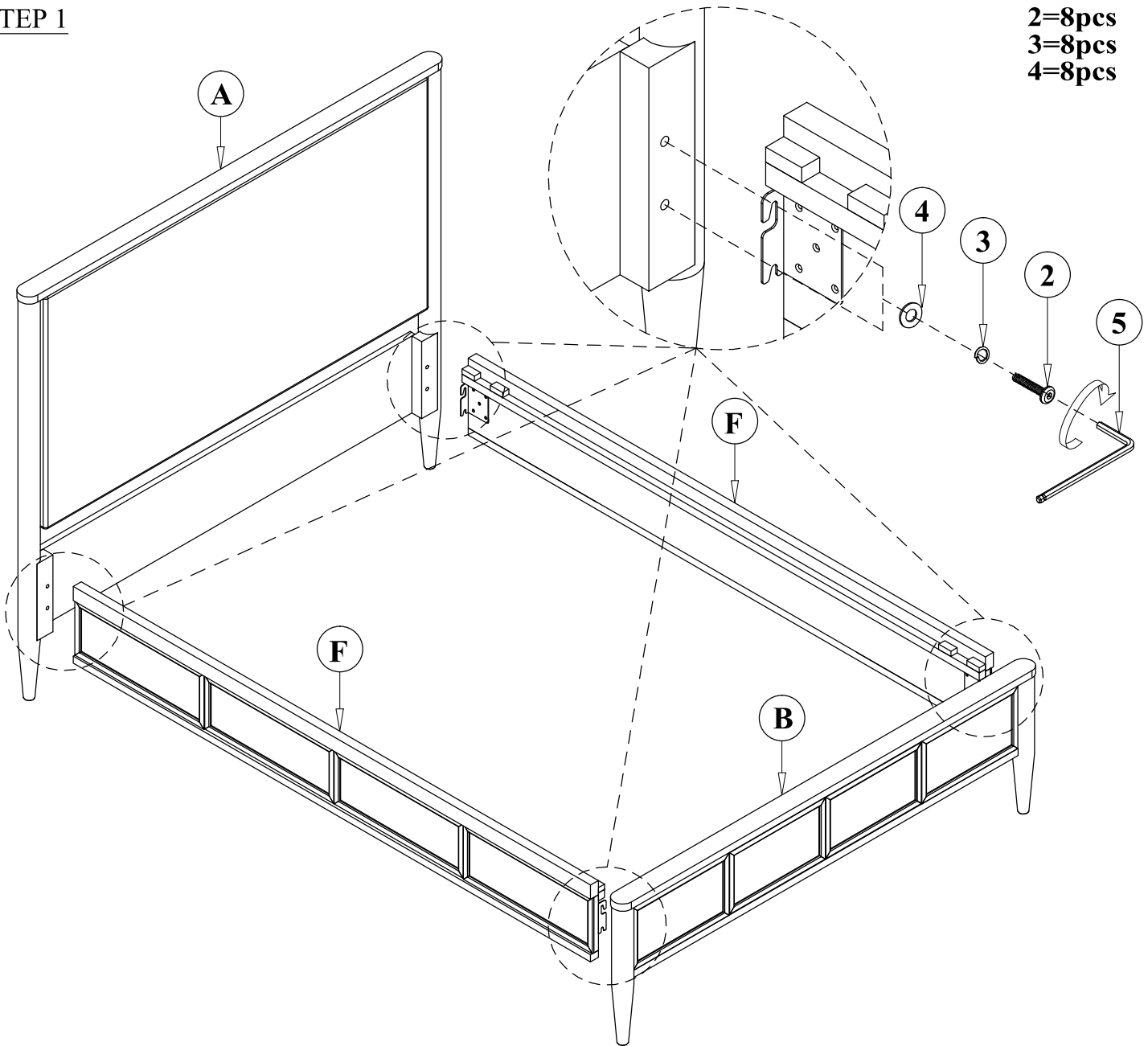
THE HARDWARE IS LOCATED IN THE PACKING ITEM

MUST: TIGHTEN SCREWS PERIODIACLLY. WITH USE SCREW MAY ENCOME LOOSE CHECK TIGHTNESS OF ALL SCREWS EVERY 6-8 WEEKS.

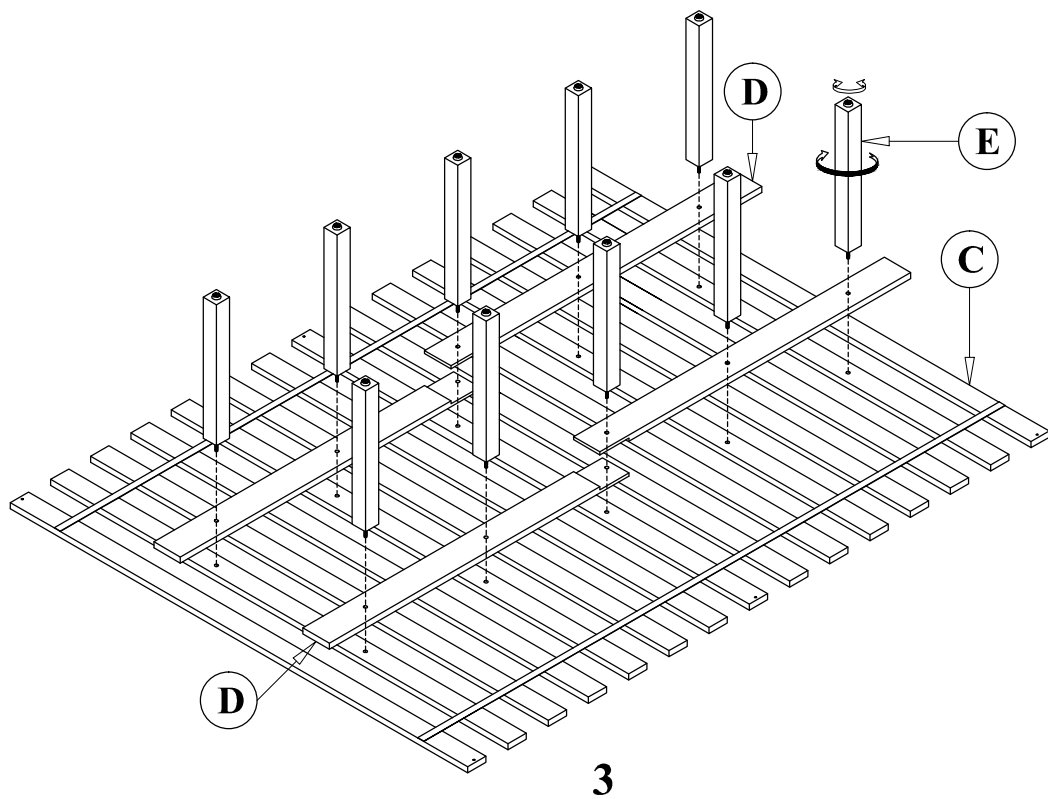
CLEANING INSTRUCTIONS:

After assembly, clean and polish the completed parts if necessary with soft cloth and industrial recognized furniture polish.

STEP 1

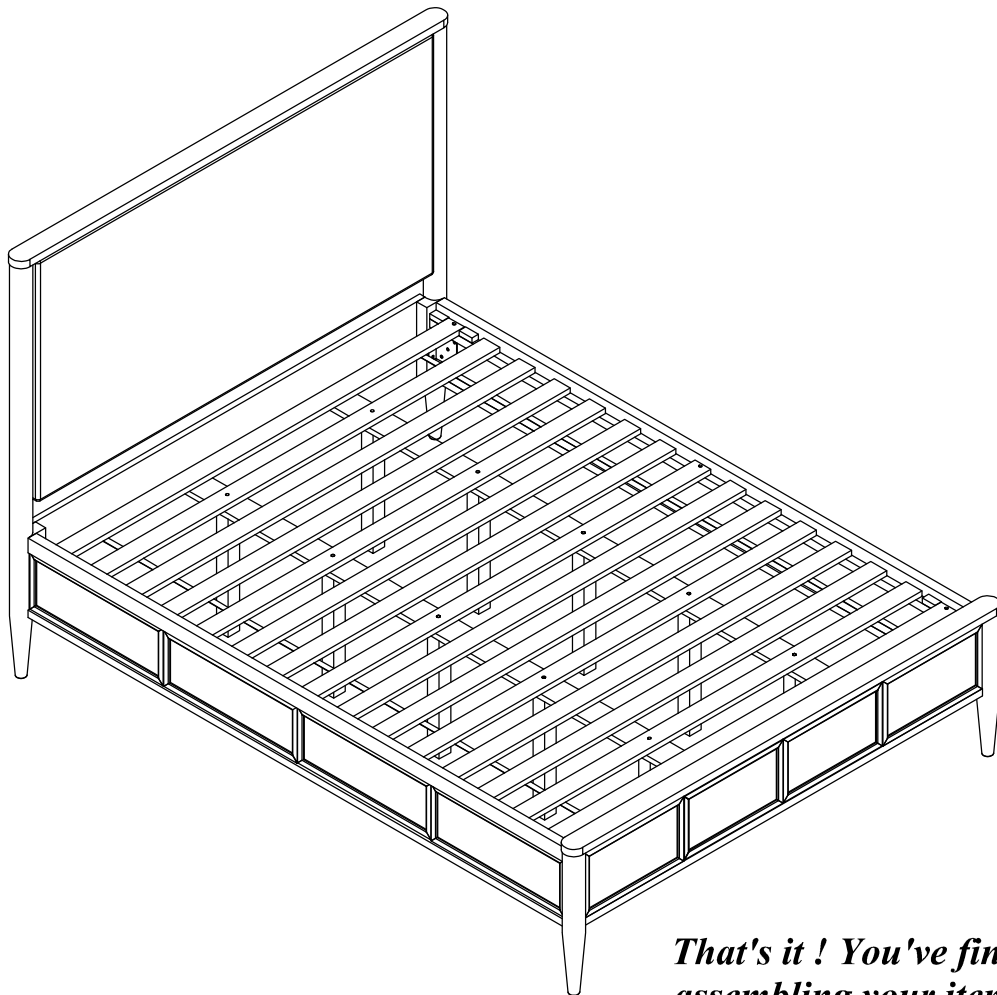
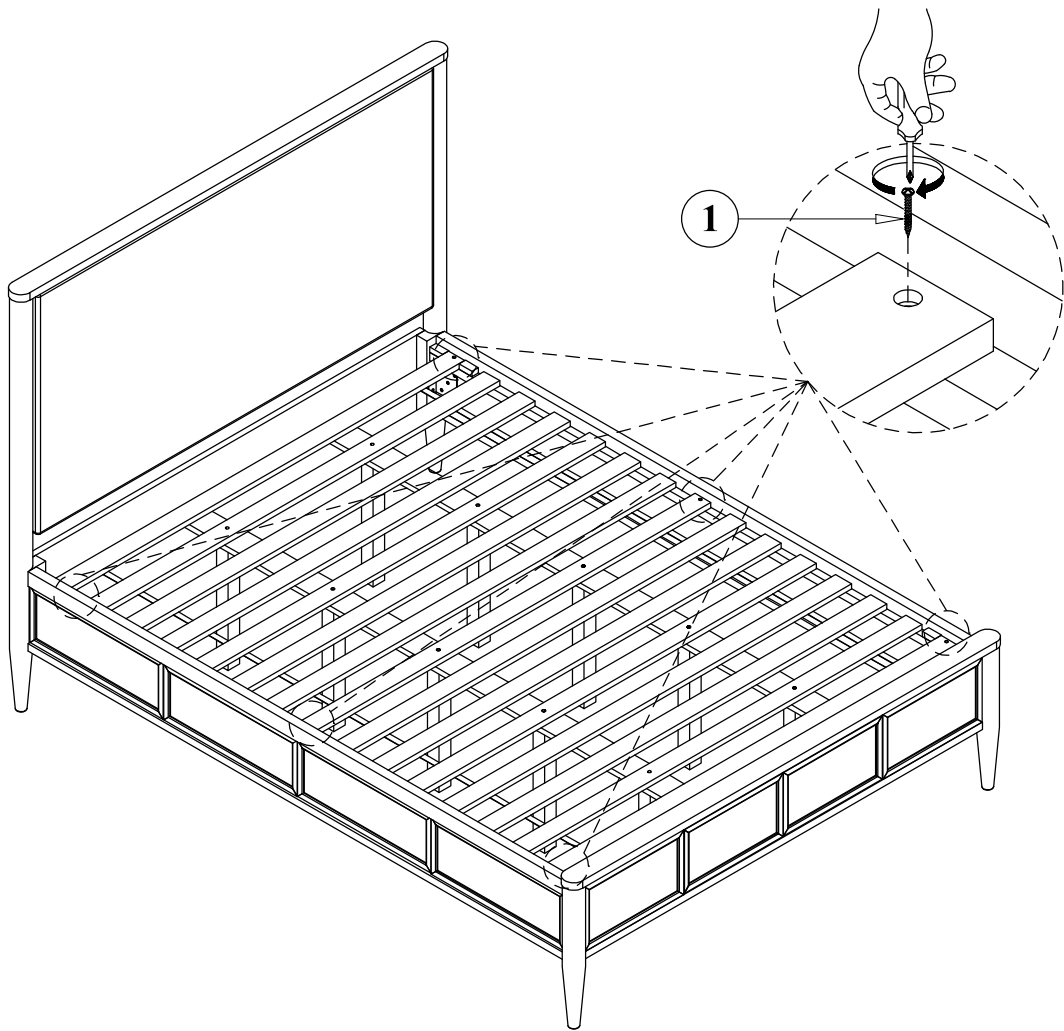


STEP 2



STEP 3

1=6pcs



*That's it ! You've finished
assembling your item. Thank you!*