



LIVING SPACES

# ASSEMBLY INSTRUCTIONS

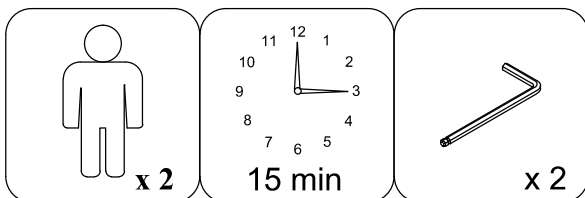
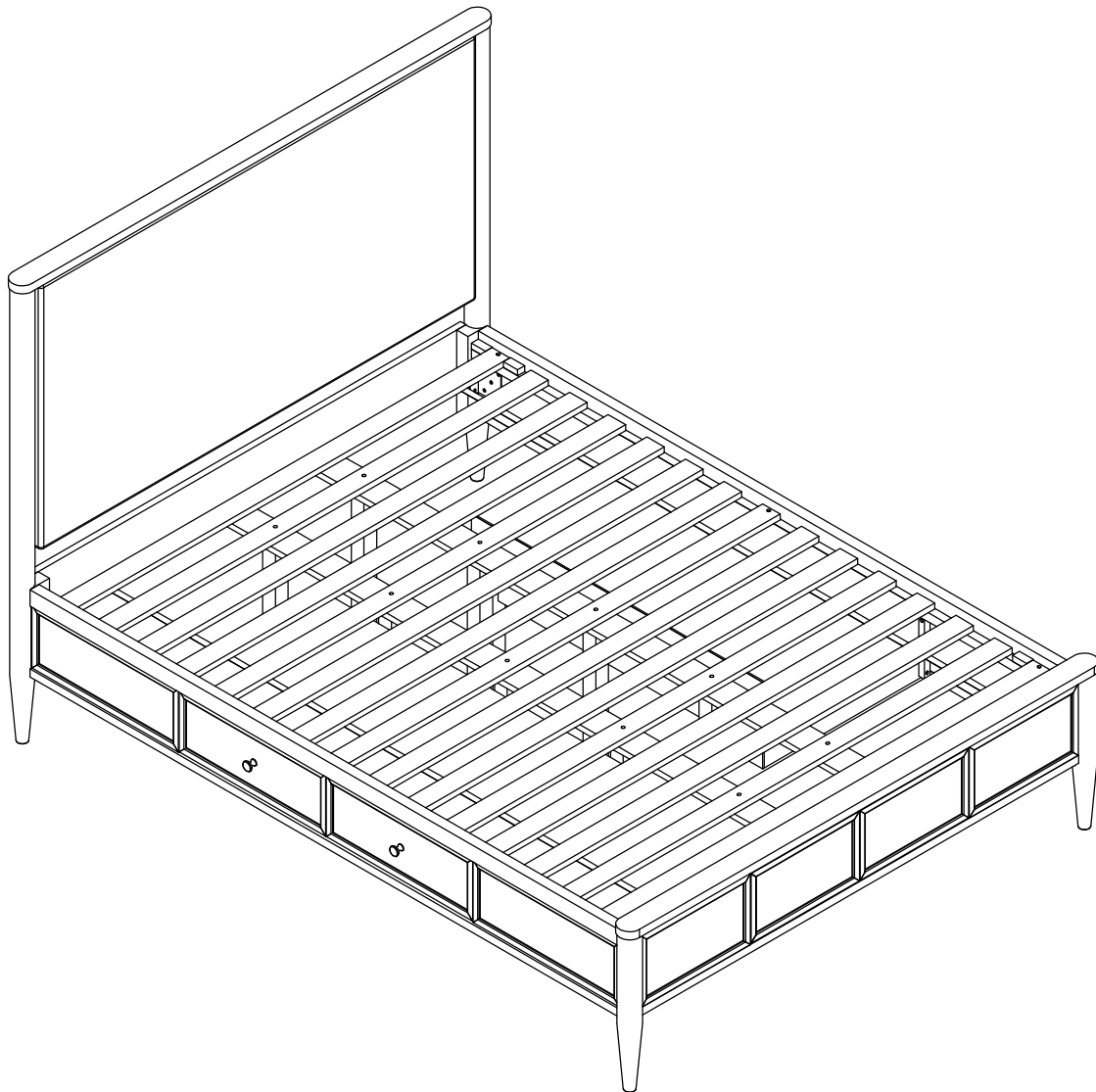
**AUSTEN WHITE KING UPH BED W/ SIDE STORAGE**

SKU:346171/346140/**346268**



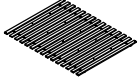
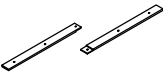
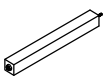
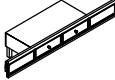
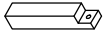
**AUSTEN WHITE KING PANEL BED W/ SIDE STORAGE**

SKU:346099/346140/**346268**









NO	COMPONENT'S SKU	QUANTITY (Cartons)
1	346171/346099	1
2	346140	1
3	346268	2



1

PART	COMPONENT'S SKU	PART LIST Number	IMAGE	DECRPTION	QTY
(A)	346171/346099	346171/346099		Head Board	1
(B)	346140	346140-01		Foot Board	1
(C)		346140-02		Slat	1 set
(D)		346140-03		Middle Support Bar	4
(E)		346140-04		Support With Leveler	10
(F)		346268	346268-01		Storage Side Rail
(G)	346268-02			Side Rail back leg	2

### Hardware List

PART	COMPONENT'S SKU	Hardware List	IMAGE	DECRPTION	QTY
(1)	346140	346140-A01		Screw #8* 30mm	6
(2)	346268	346268-A01		Bolts 1/4" *38mm	2
(3)		346268-A02		Spring Washer 1/4"*11mm	2
(4)		346268-A03		Flat Washer 1/4" *19mm	2
(5)		346268-A04		Bolts 5/16" *25mm	4
(6)		346268-A05		Spring Washer 5/16" Dia	4
(7)		346268-A06		Flat Washer 5/16" * Dia	4
(8)		346268-A07		Allen key	1

### THE HAEDWARE IS LOCATED IN THE PACKING ITEM

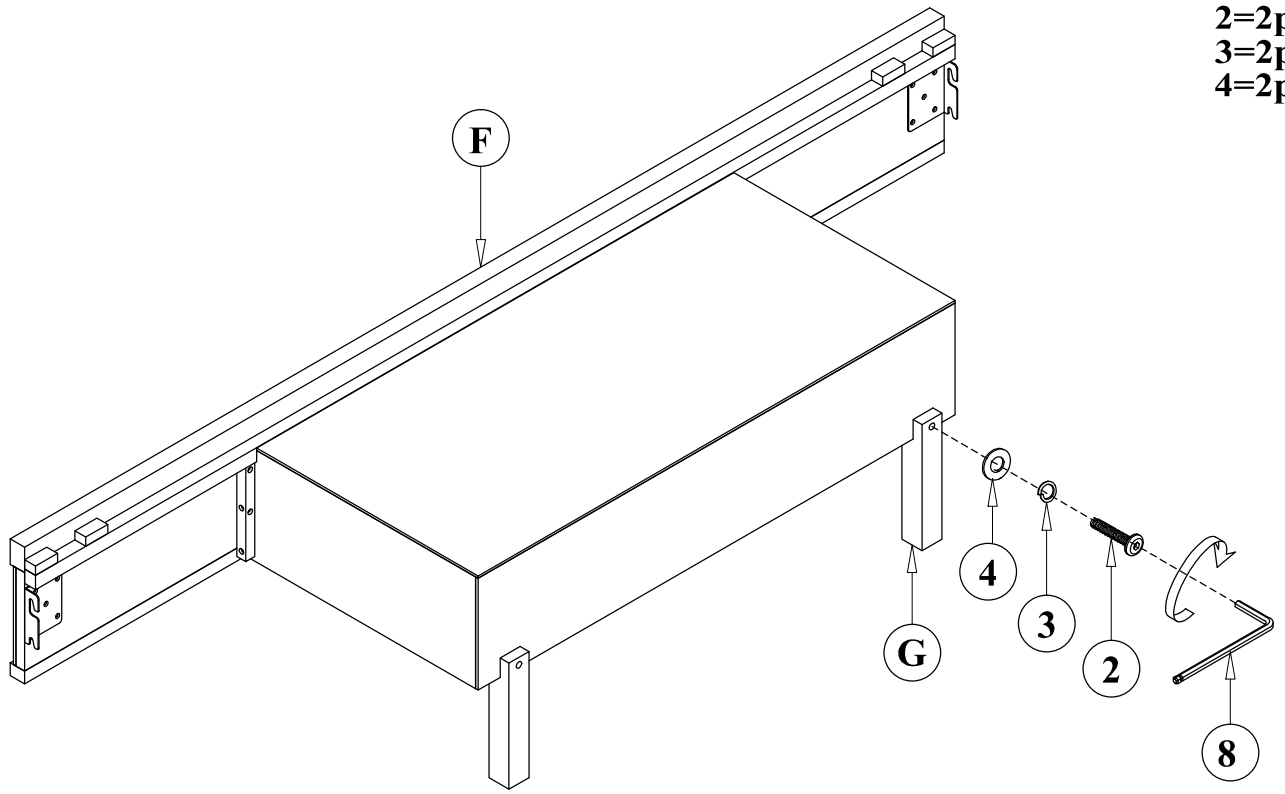
**MUST: TIGHTEN SCREWS PERIODIACLLY. WITH USE SCREW MAY ENCOME LOOSE CHECK TIGHTNESS OF ALL SCREWS EVERY 6-8 WEEKS.**

### CLEANING INSTRUCTIONS:

**After assembly, clean and polish the completed parts if necessary with soft cloth and industrial recognized furniture polish.**

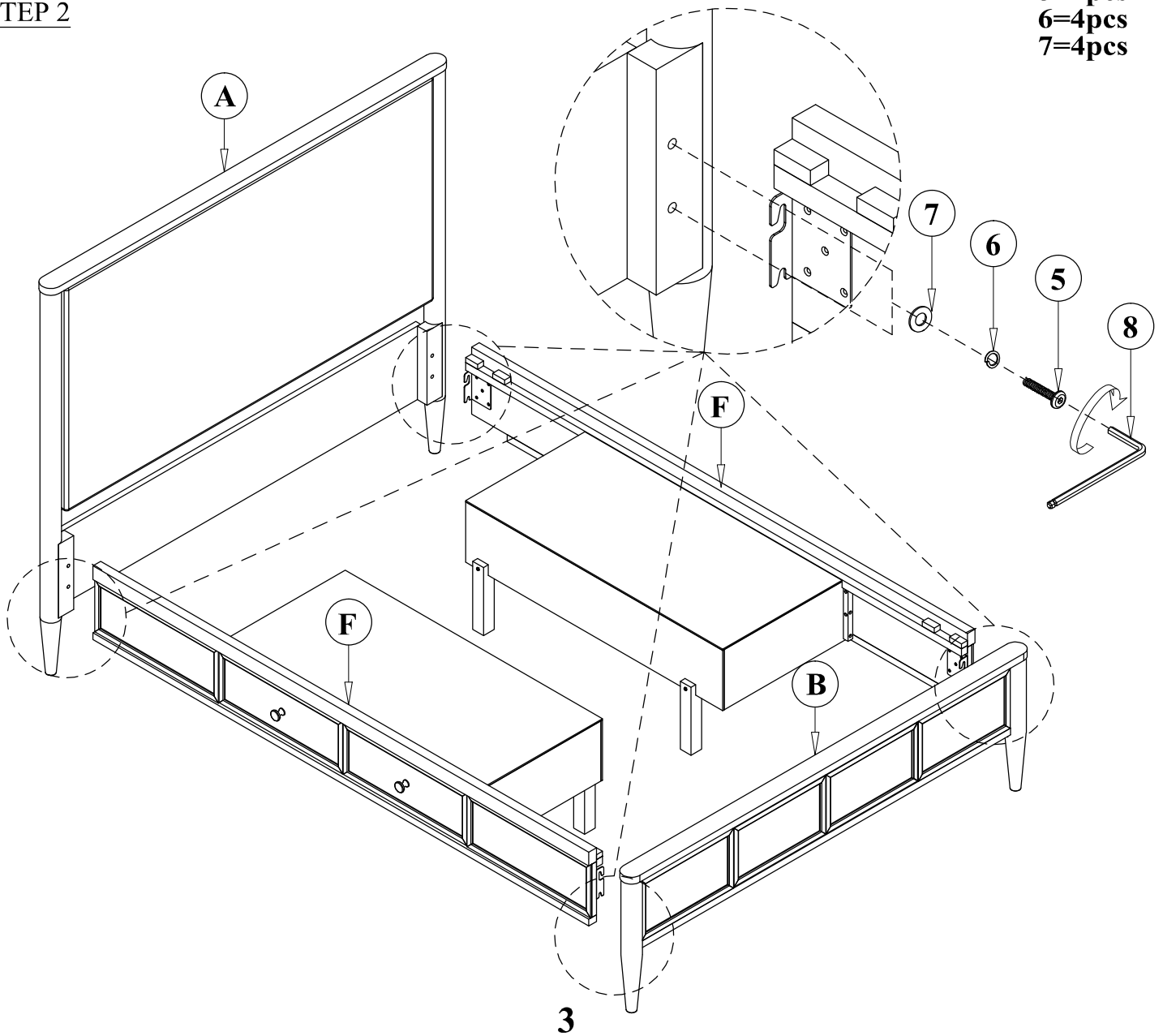
**STEP 1**

**2=2pcs**  
**3=2pcs**  
**4=2pcs**

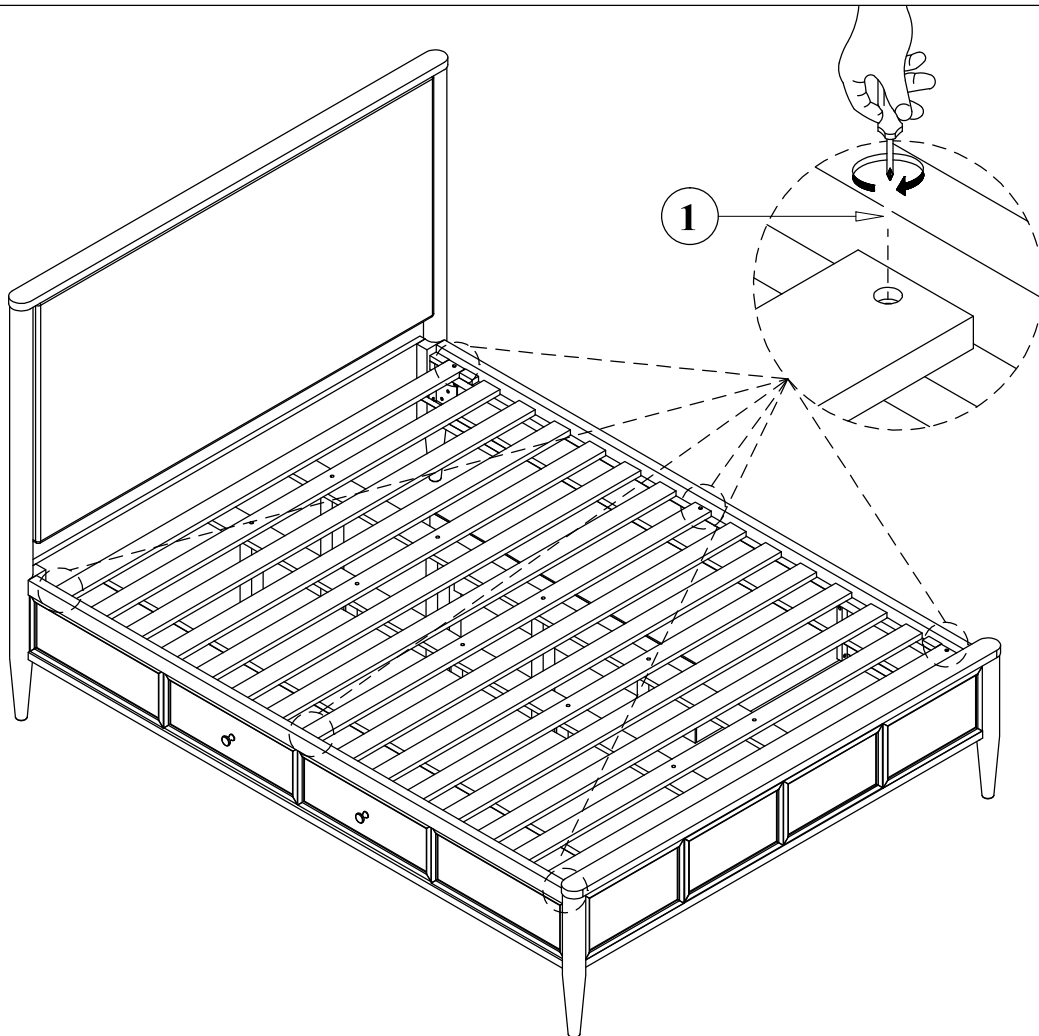
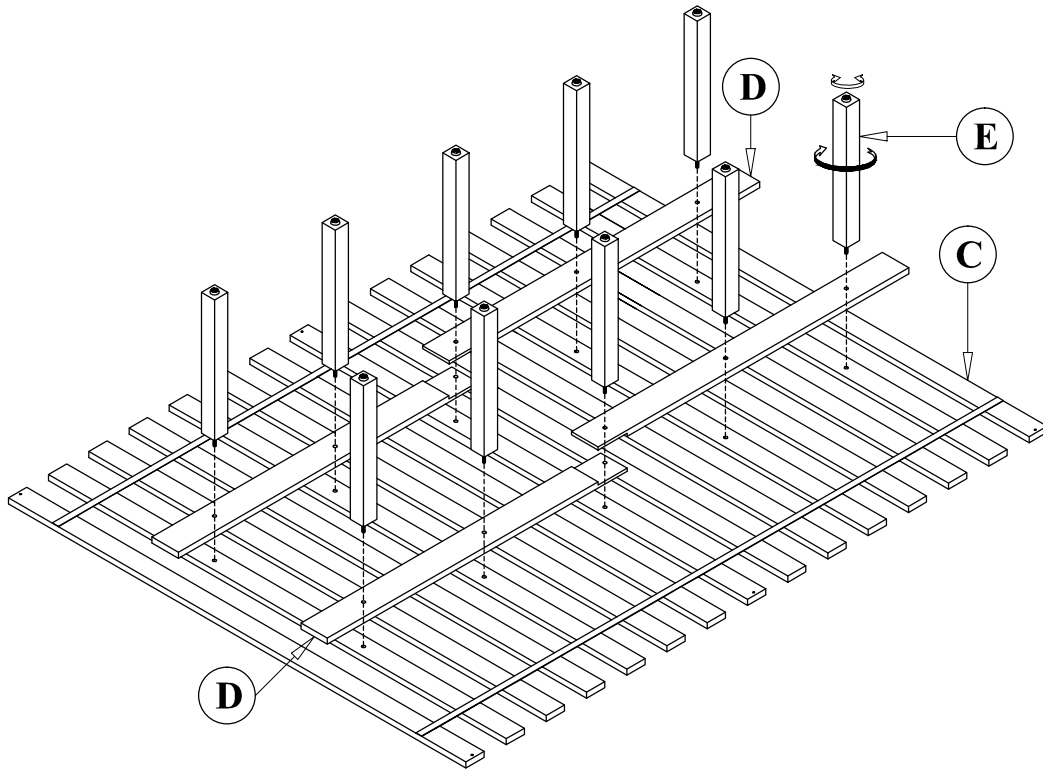


**STEP 2**

**5=4pcs**  
**6=4pcs**  
**7=4pcs**



STEP 3



*That's it ! You've finished  
assembling your item. Thank you!*