





**ASSEMBLY INSTRUCTION**  
**GLIDER RECLINING CHAIR**  
**ITEM NO:9724BLK/BRW-1 BONDED LEATHER**

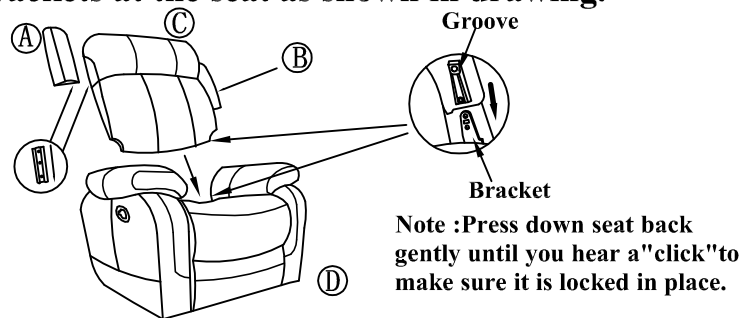
**NOTE:Do not use power tools for assembly .Power tools increase the risk of over tightening which leads to splitting or cracking the wood .**

**PARTS LIST**

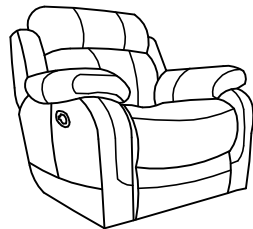
NO	DRAWING	DESCRIPTION	QTY
Ⓐ		LEFT EAR	1PC
Ⓑ		RIGHT EAR	1PC
Ⓒ		BACKREST	1PC
Ⓓ		SEAT	1PC

**STEP #1**

**Insert both ears to the back rest,align and insert female groves at the back onto the male brackets at the seat as shown in drawing.**



**STEP #2 THE CHAIR IS NOW READY.ENJOY!**



**Care instruction for bonded leather.**

In order to maintain the original appearance of your upholstery furniture, please follow below simple care procedures:

.Avoid exposing furniture directly to sunlight or heating and air conditioning outlets.  
 Sunlight and/or exposure to heating and air conditioning outlets will fade/damage bonded leather. Do not place your upholstery furniture too close to windows, radiators, or vents, and be sure to use windows, radiators, or vents, and be sure to use window treatments to block the sun's rays.

.Vacuum or wipe with a cloth regularly to remove dust.

.Blot (Do) all spills immediately with a clean, dry white cloth.

.Clean bonded leather with a damp cloth and mild soap & water. Do not use any abrasive or corrosive cleaners as they will damage the furniture.