



LIVING SPACES

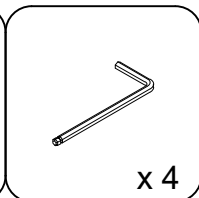
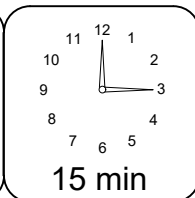
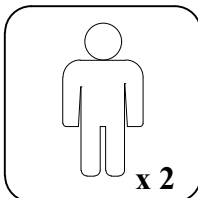
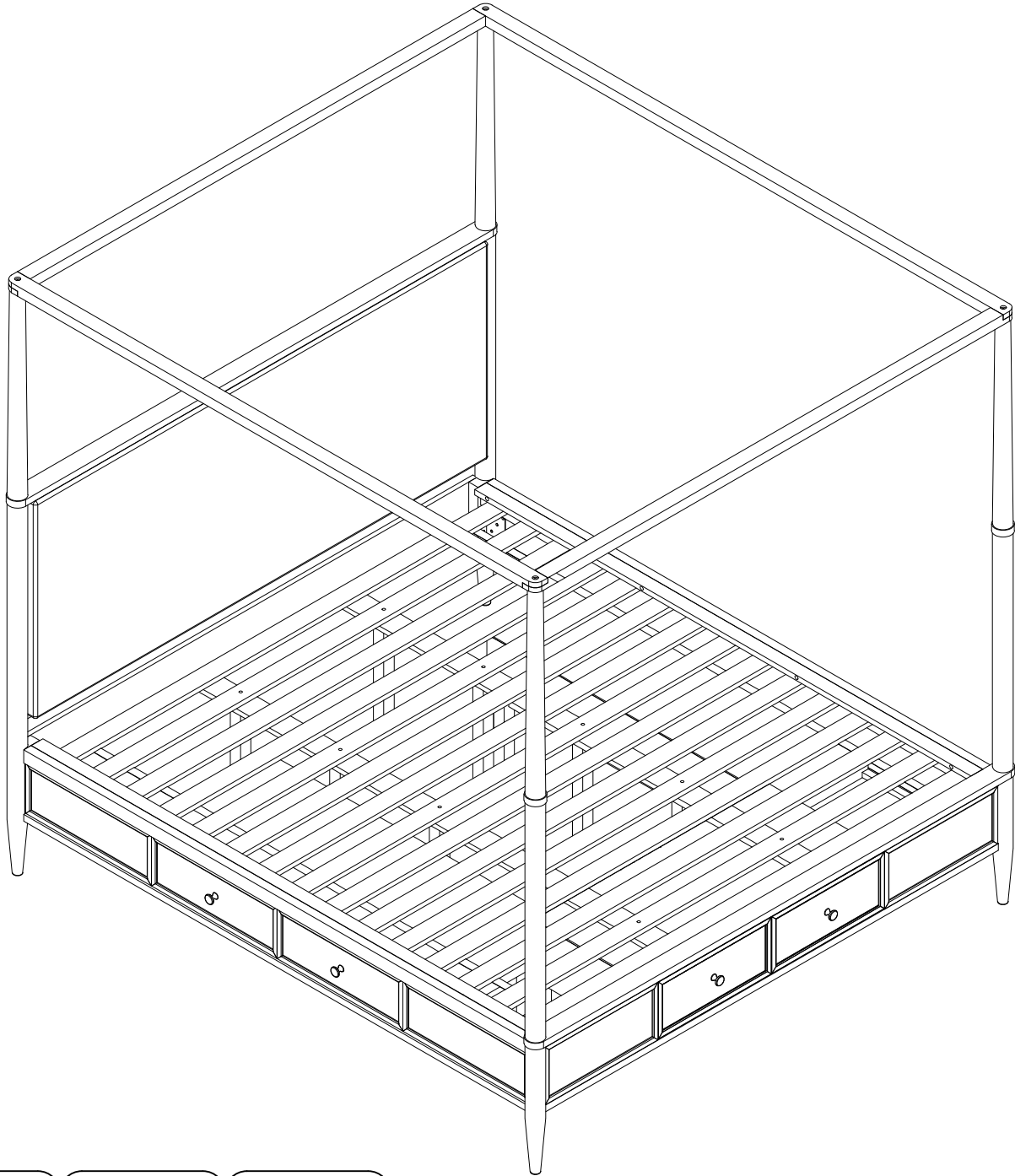
# ASSEMBLY INSTRUCTIONS

**AUSTEN CALIFORNIA KING CANOPY UPH  
BED W/ SIDE & FOOTBOARD STORAGE**


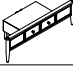

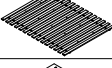

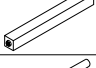




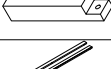

SKU:318051/318053/318059/318055

**AUSTEN CALIFORNIA KING CANOPY PANEL  
BED W/ SIDE & FOOTBOARD STORAGE**

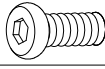
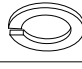

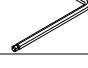


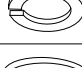

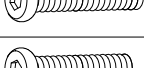

SKU:337959/318053/318059/318055



1

<b>PART</b>	<b>SKU#</b>	<b>IMAGE</b>	<b>DESCRIPTION</b>	<b>QTY</b>
(A)	318051/337959		Head Board	1
(B)	318053		Storage Foot Board	1
(C)	318059		Storage Side Rail	2
(D)	318053		Slat	1 set
(E)	318053		Middle Support Bar	4
(F)	318053		Support With Leveler	10
(G)	318051/318053		Head Board/Foot Board Posts canopy	4
(H)	318053		Foot Board Posts canopy	2
(I)	318055		Head Board/Foot Board canopy	2
(J)	318055		Lift/Right canopy rail	2
(K)	318053/318059		Foot Board, Side Rail back leg	6
(L)	318059		Cap Rail	2

### Hardware List

<b>PART</b>	<b>SKU#</b>	<b>IMAGE</b>	<b>DESCRIPTION</b>	<b>QTY</b>
(1)	318059		Bolts 5/16" *25mm	8
(2)	318059/318055		Spring Washer 5/16" Dia	12
(3)	318059/318055		Flat Washer 5/16" * Dia	12
(4)	318053/318059/318055		Allen key	4
(5)	318053		Screw #8* 30mm	6
(6)	318053/318059		Bolts 1/4" *38mm	6
(7)	318053/318059		Spring Washer 1/4"*11mm	6
(8)	318053/318059		Flat Washer 1/4" *19mm	6
(9)	318055		Bolts 5/16" *60mm	4
(10)	318059		Bolts 1/4" *45mm	8

**THE HARDWARE IS LOCATED IN THE PACKING ITEM**

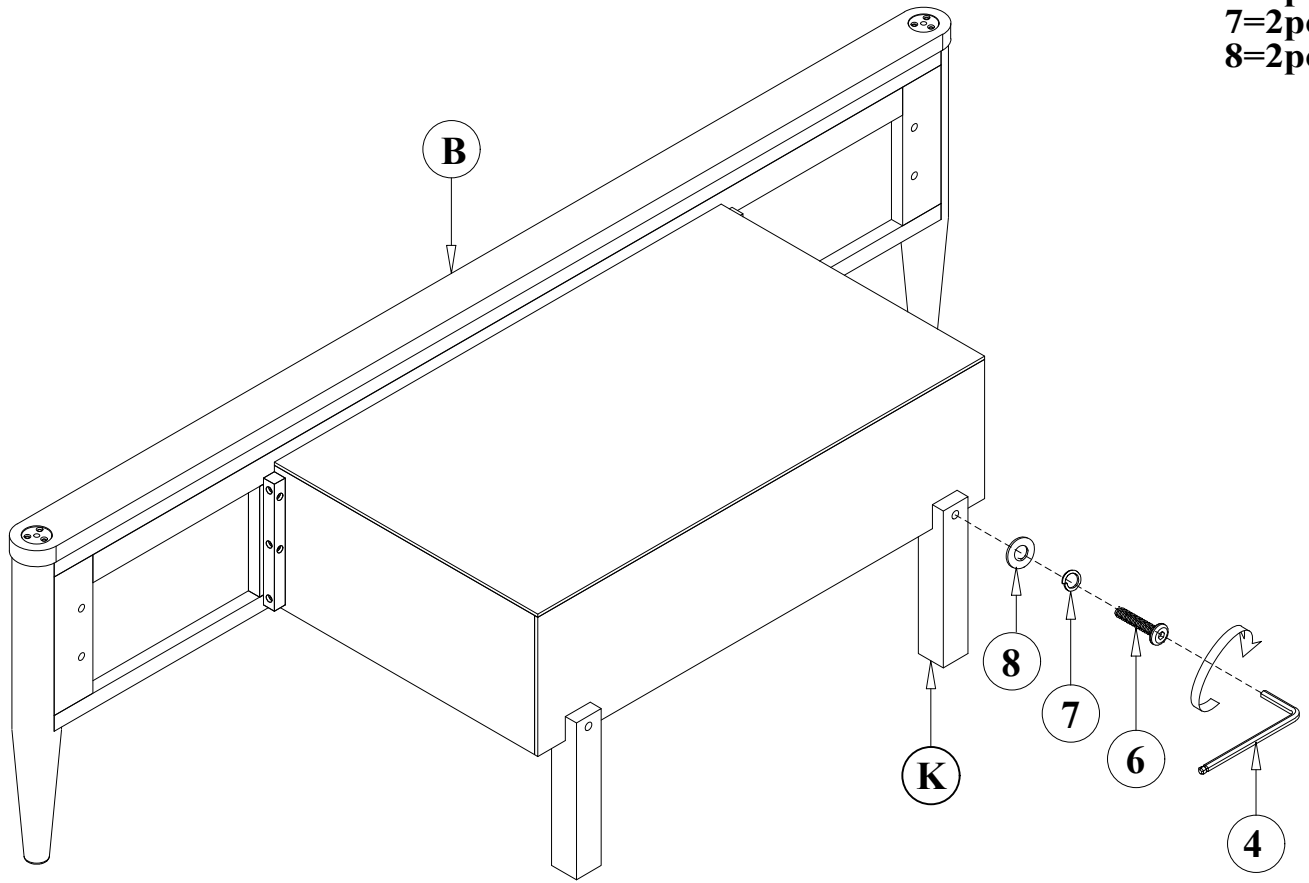
**MUST: TIGHTEN SCREWS PERIODICALLY. WITH USE SCREW MAY ENCOME LOOSE CHECK TIGHTNESS OF ALL SCREWS EVERY 6-8 WEEKS.**

### CLEANING INSTRUCTIONS:

After assembly, clean and polish the completed parts if necessary with soft cloth and industrial recognized furniture polish.

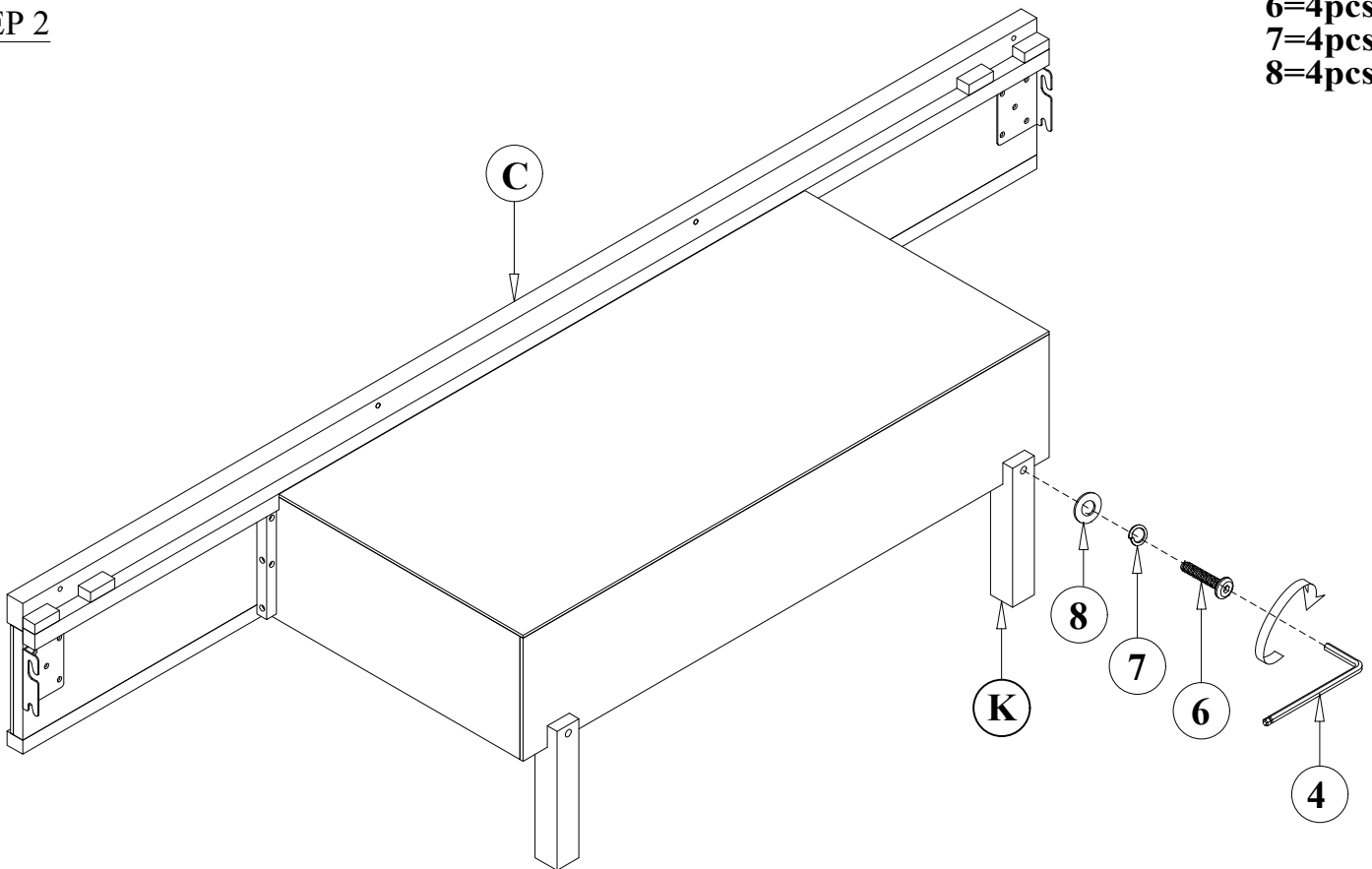
STEP 1

6=2pcs  
7=2pcs  
8=2pcs



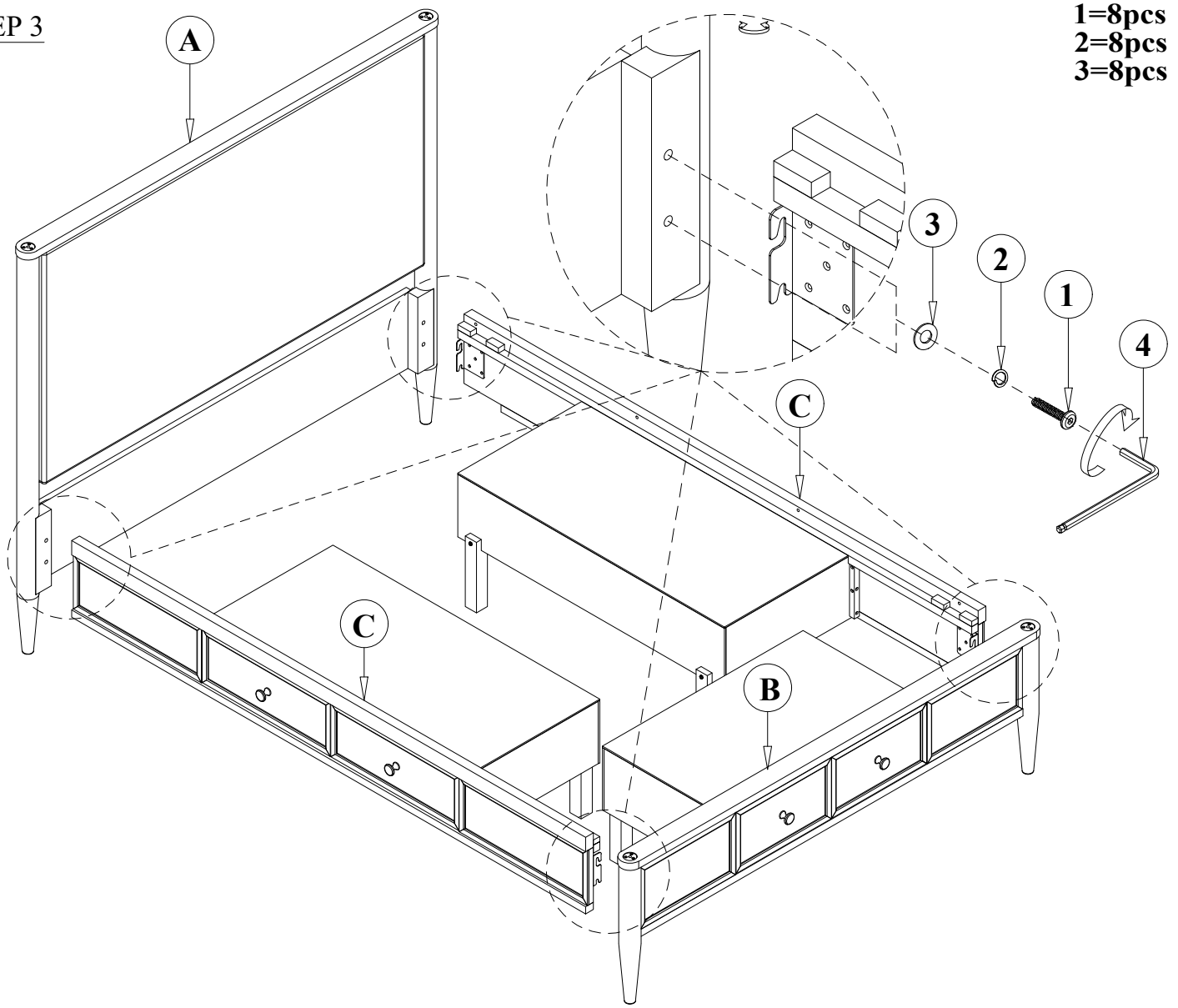
STEP 2

6=4pcs  
7=4pcs  
8=4pcs

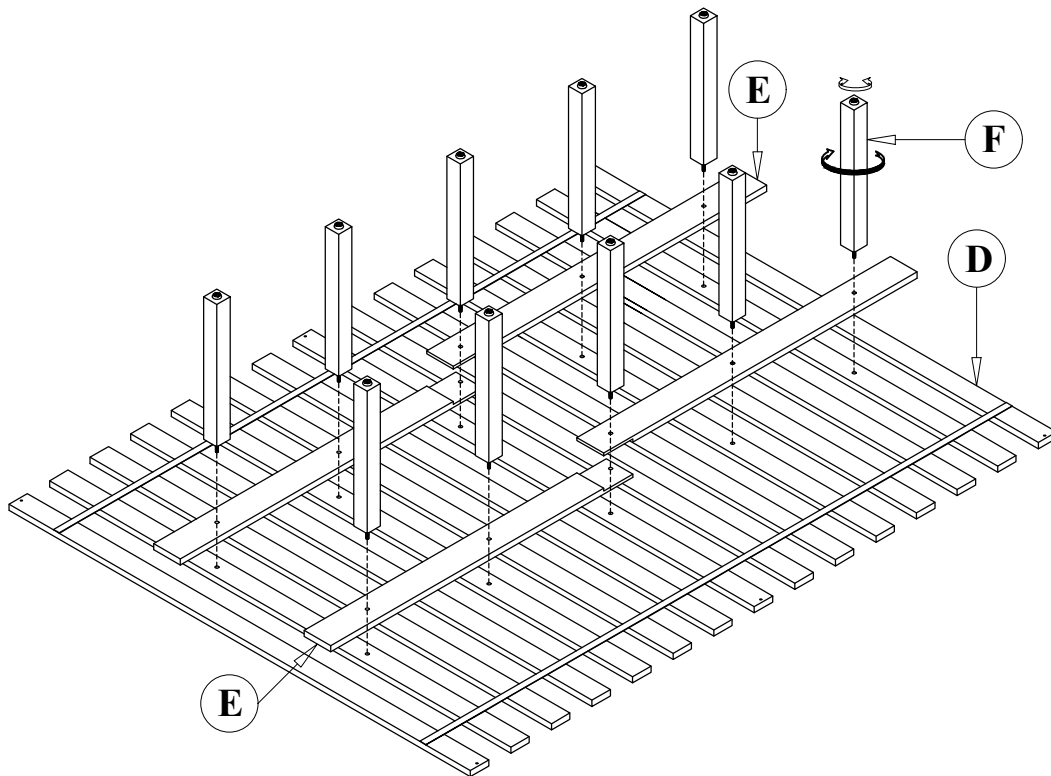


**STEP 3**

**1=8pcs**  
**2=8pcs**  
**3=8pcs**

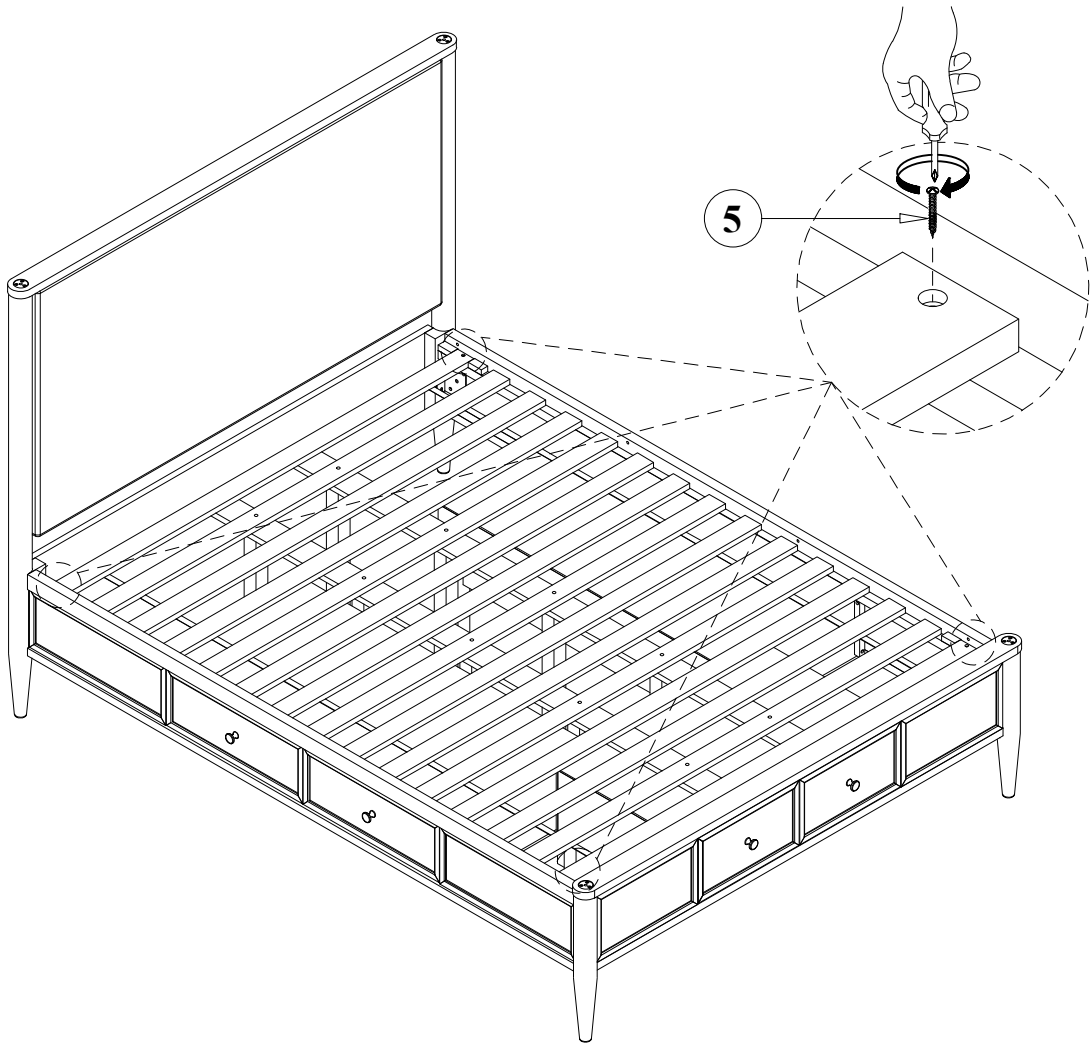


**STEP 4**

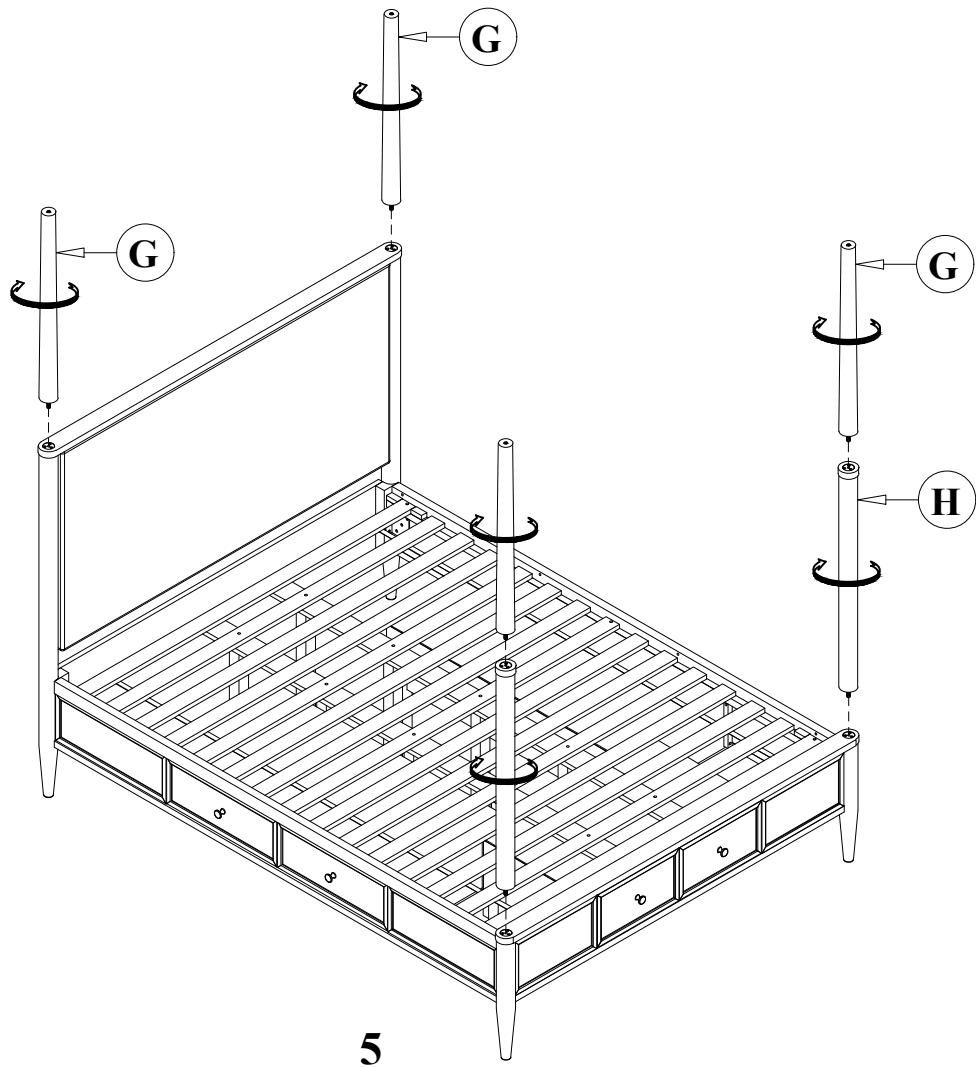


STEP 5

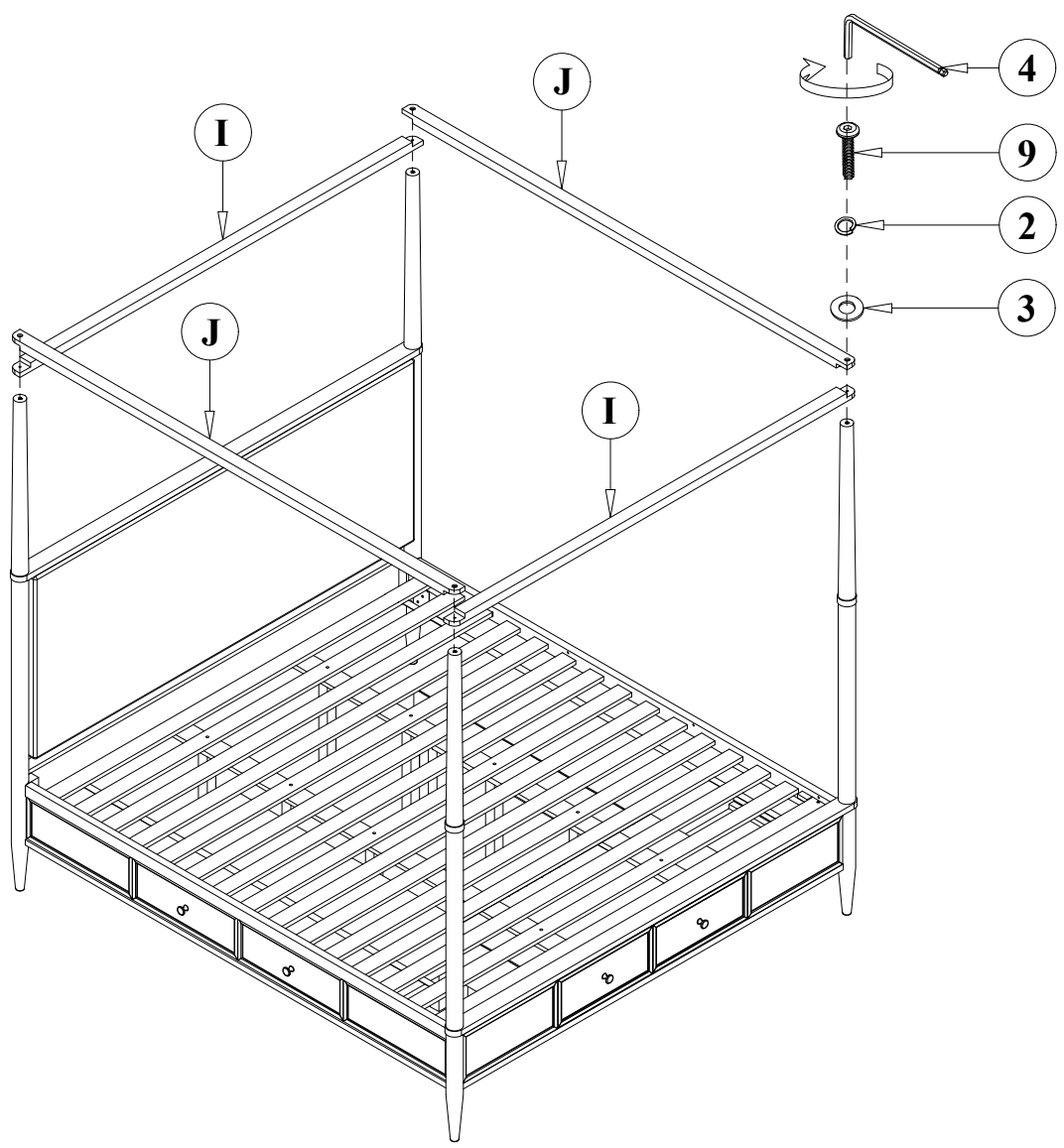
5=4pcs



STEP 6

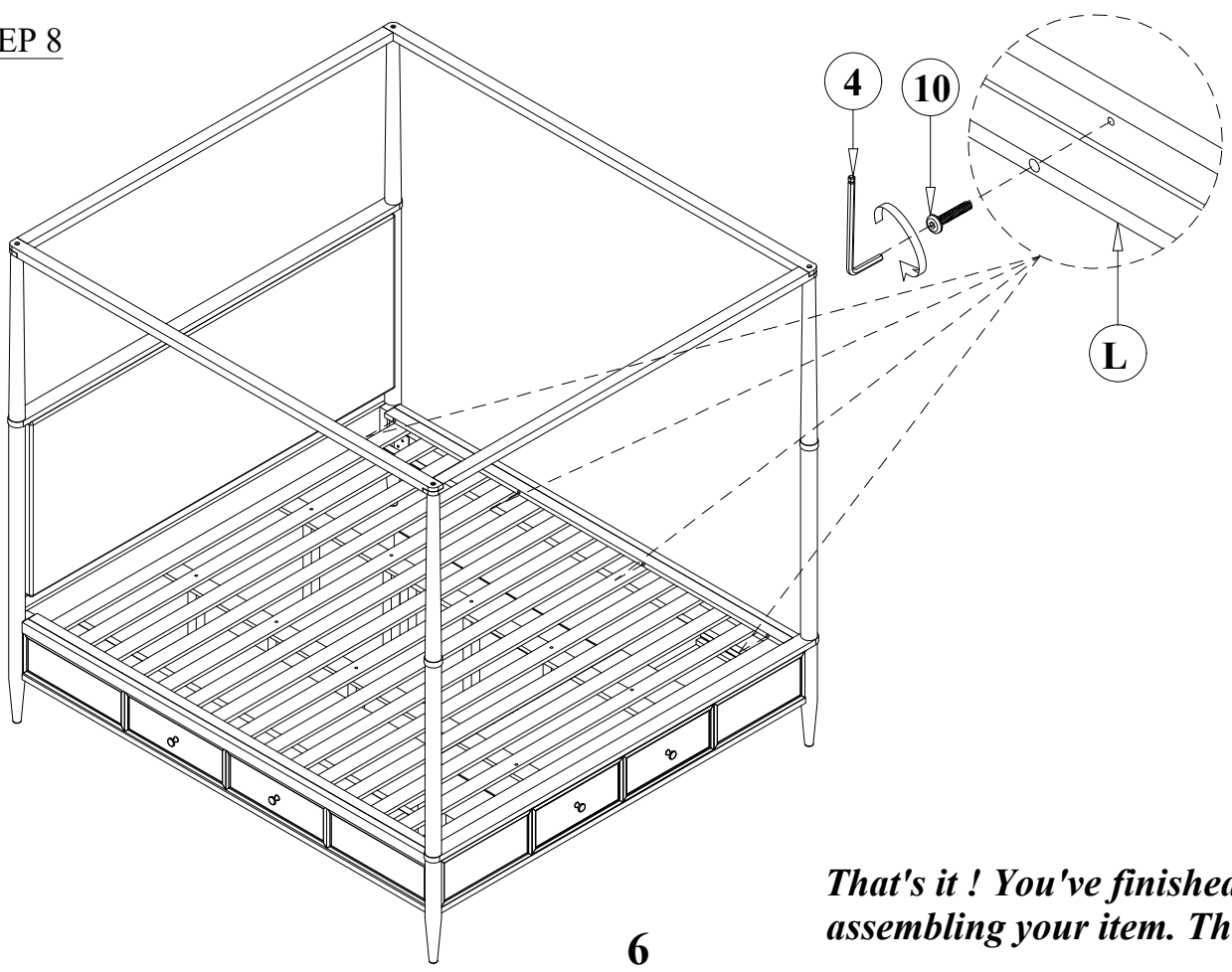


**STEP 7**



**9=4pcs**  
**2=4pcs**  
**3=4pcs**

**STEP 8**



**10=8pcs**

*That's it ! You've finished assembling your item. Thank you!*