



LIVING SPACES

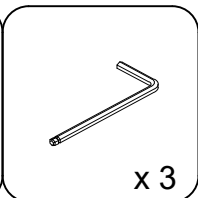
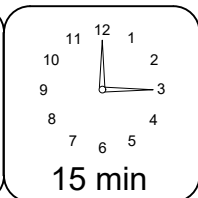
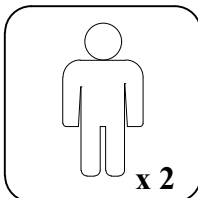
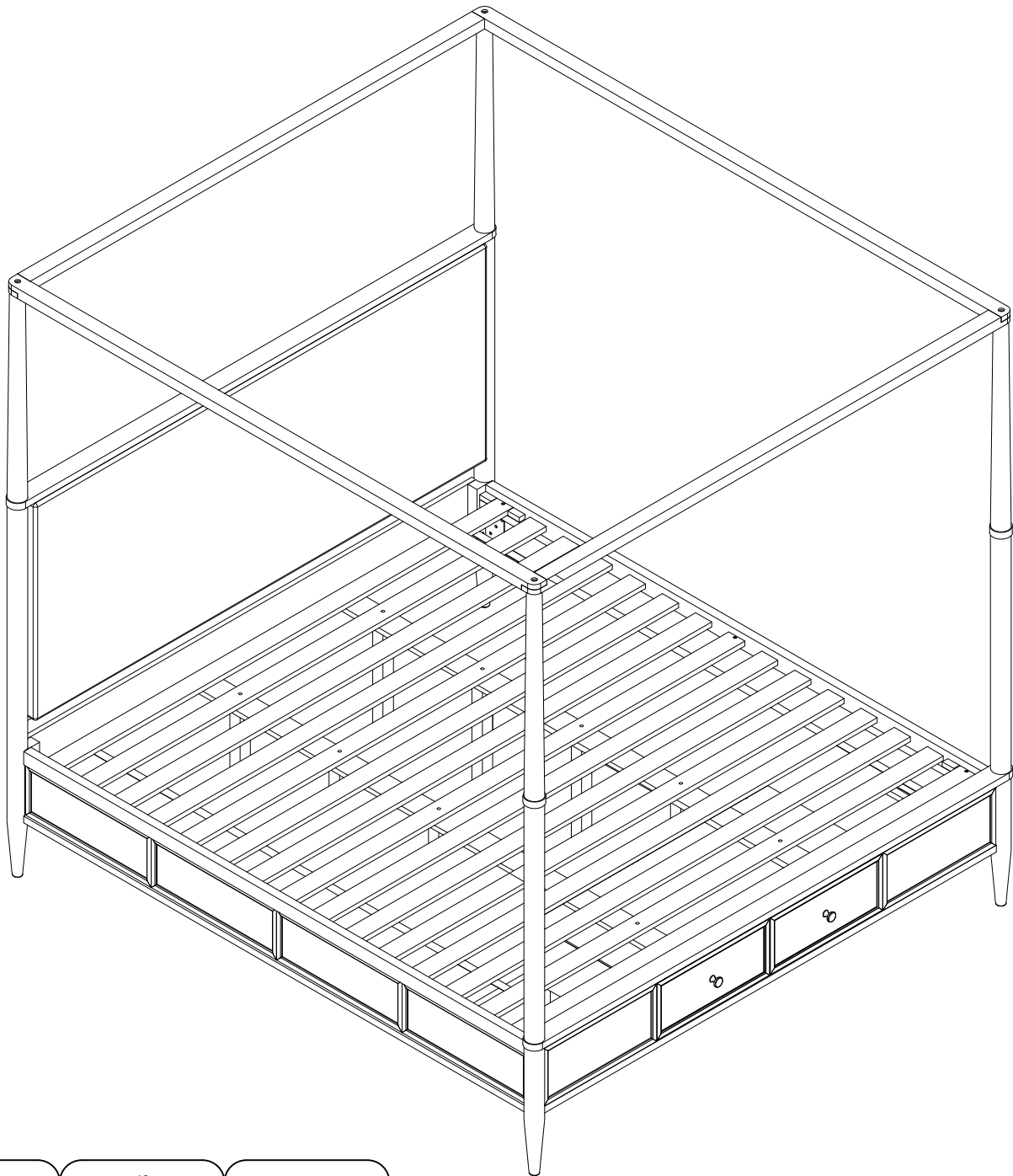
ASSEMBLY INSTRUCTIONS

**AUSTEN KING CANOPY UPH
BED W/ FOOTBOARD STORAGE**


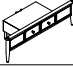

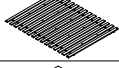

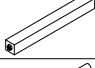
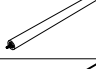
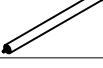


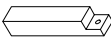
SKU:318051/318053/318057/318054

**AUSTEN KING CANOPY PANEL BED
W/ FOOTBOARD STORAGE**

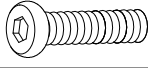
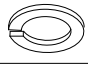


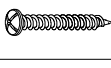
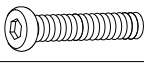
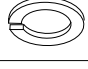
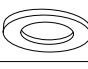
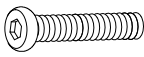
SKU:337959/318053/318057/318054



1

| PART | SKU# | IMAGE | DESCRIPTION | QTY |
|-------------|---------------|---|------------------------------------|------------|
| (A) | 318051/337959 |  | Head Board | 1 |
| (B) | 318053 |  | Storage Foot Board | 1 |
| (C) | 318057 |  | Side Rail | 2 |
| (D) | 318053 |  | Slat | 1 set |
| (E) | 318053 |  | Middle Support Bar | 4 |
| (F) | 318053 |  | Support With Leveler | 10 |
| (G) | 318051/318053 |  | Head Board/Foot Board Posts canopy | 4 |
| (H) | 318053 |  | Foot Board Posts canopy | 2 |
| (I) | 318054 |  | Head Board/Foot Board canopy | 2 |
| (J) | 318054 |  | Lift/Right canopy rail | 2 |
| (K) | 318053 |  | Foot Board back leg | 2 |

Hardware List

| PART | SKU# | IMAGE | DESCRIPTION | QTY |
|-------------|----------------------|--|-------------------------|------------|
| (1) | 318057 |  | Bolts 5/16" *25mm | 8 |
| (2) | 318057/318054 |  | Spring Washer 5/16" Dia | 12 |
| (3) | 318057/318054 |  | Flat Washer 5/16" * Dia | 12 |
| (4) | 318053/318057/318054 |  | Allen key | 3 |
| (5) | 318053 |  | Screw #8* 30mm | 6 |
| (6) | 318053 |  | Bolts 1/4" *38mm | 2 |
| (7) | 318053 |  | Spring Washer 1/4"*11mm | 2 |
| (8) | 318053 |  | Flat Washer 1/4" *19mm | 2 |
| (9) | 318054 |  | Bolts 5/16" *60mm | 4 |

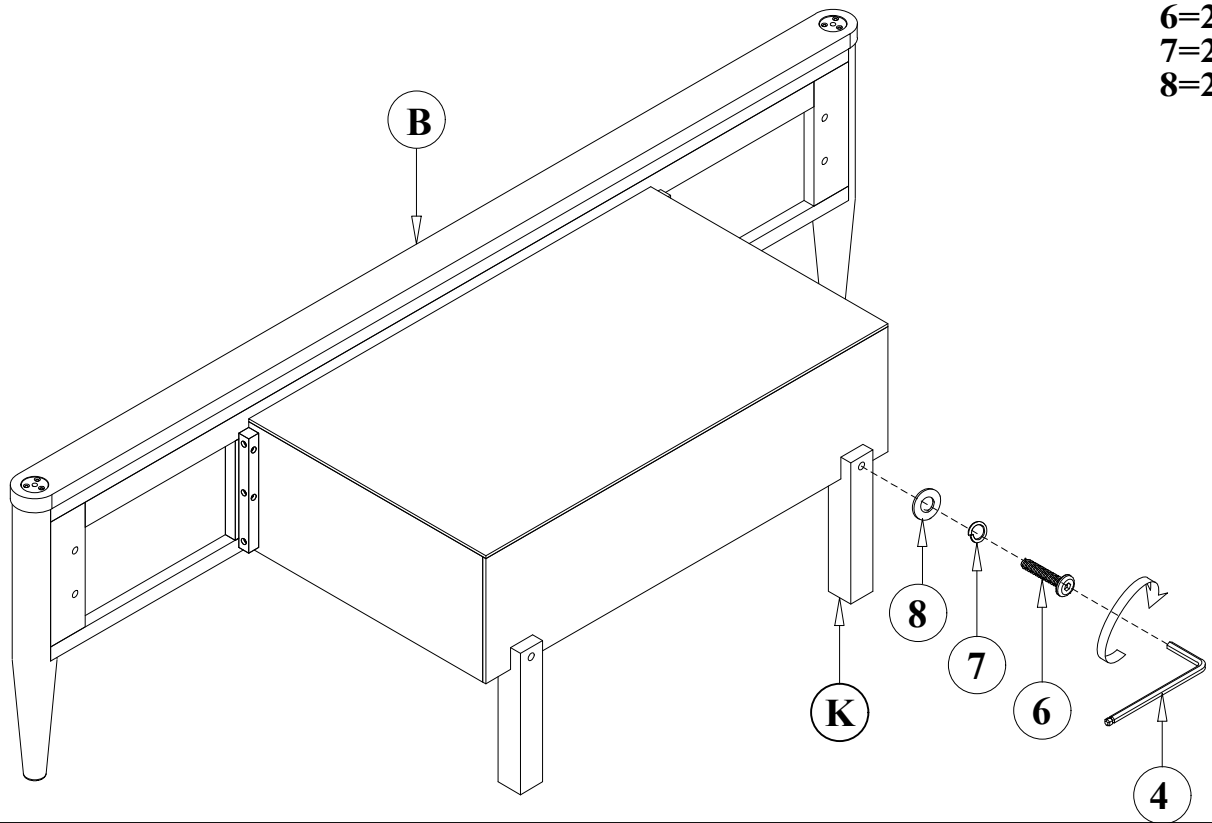
THE HAEDWARE IS LOCATED IN THE PACKING ITEM

MUST: TIGHTEN SCREWS PERIODIACLLY. WITH USE SCREW MAY ENCOME LOOSE CHECK TIGHTNESS OF ALL SCREWS EVERY 6-8 WEEKS.

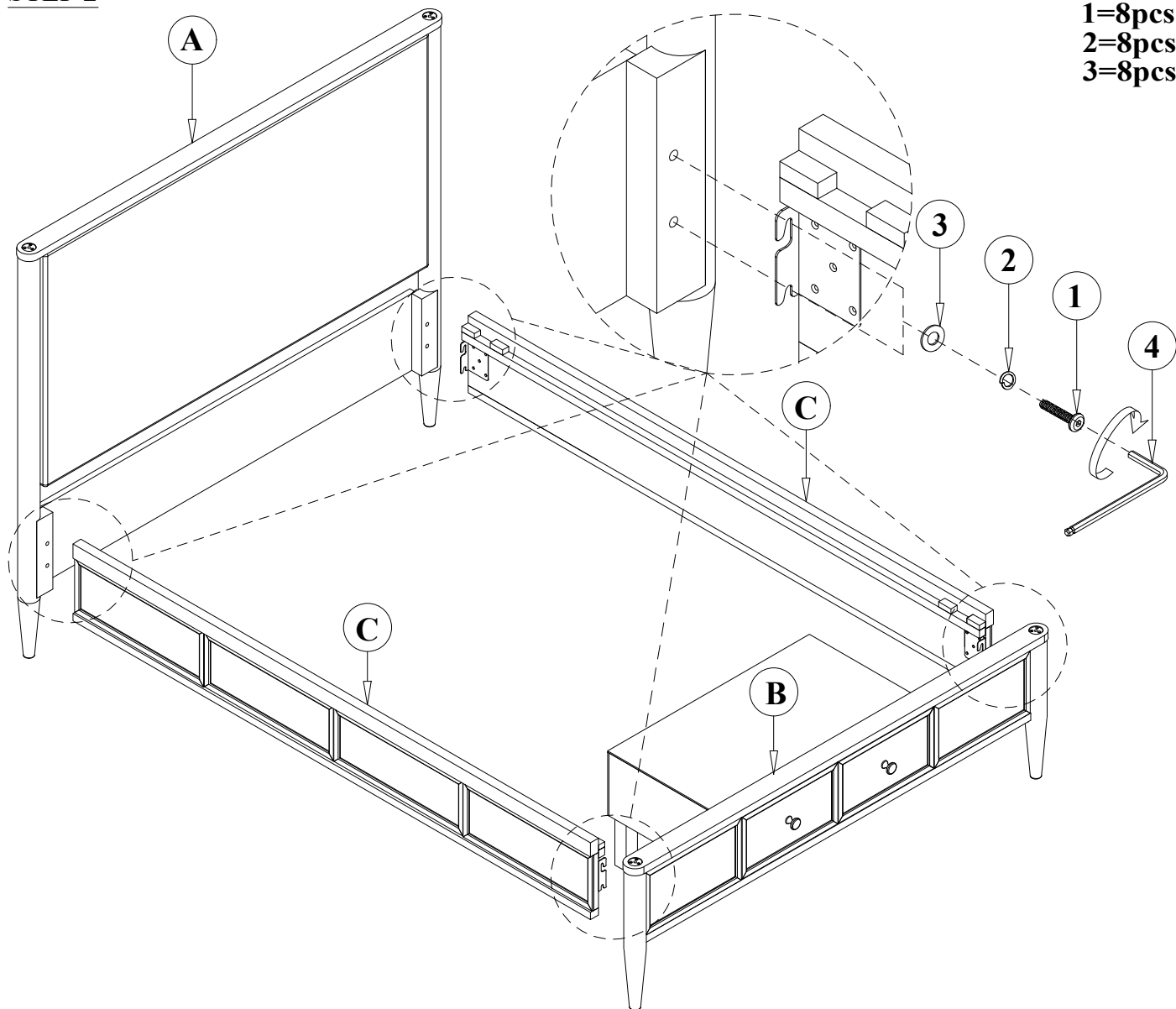
CLEANING INSTRUCTIONS:

After assembly, clean and polish the completed parts if necessary with soft cloth and industrial recognized furniture polish.

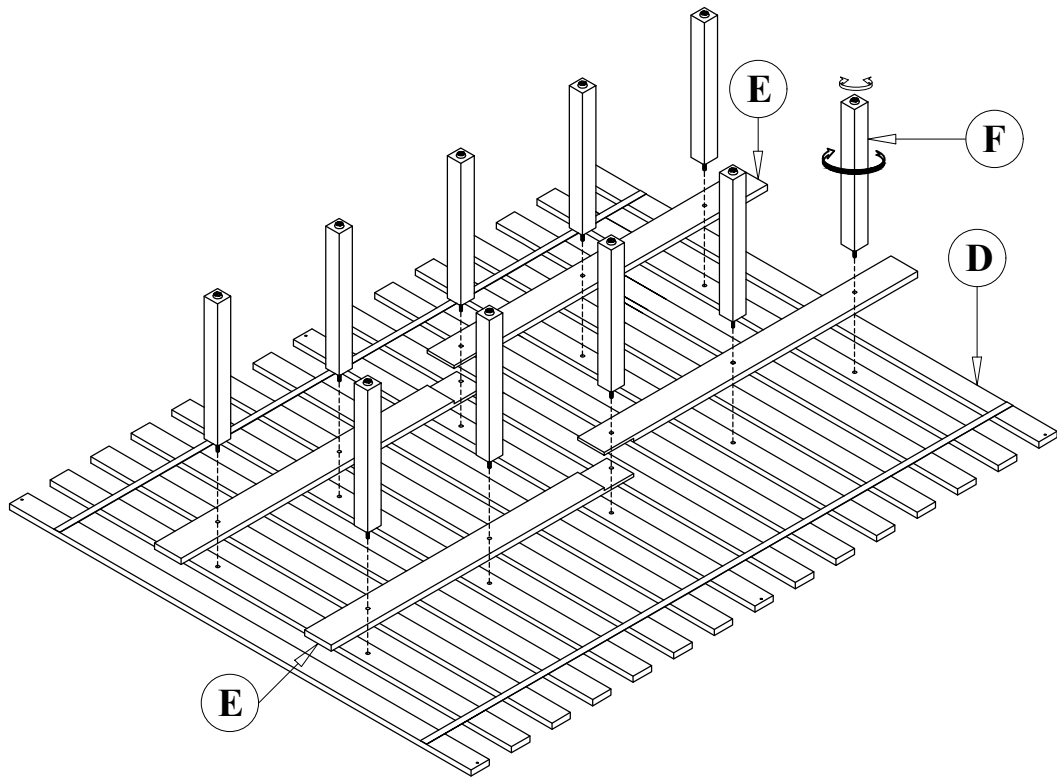
STEP 1



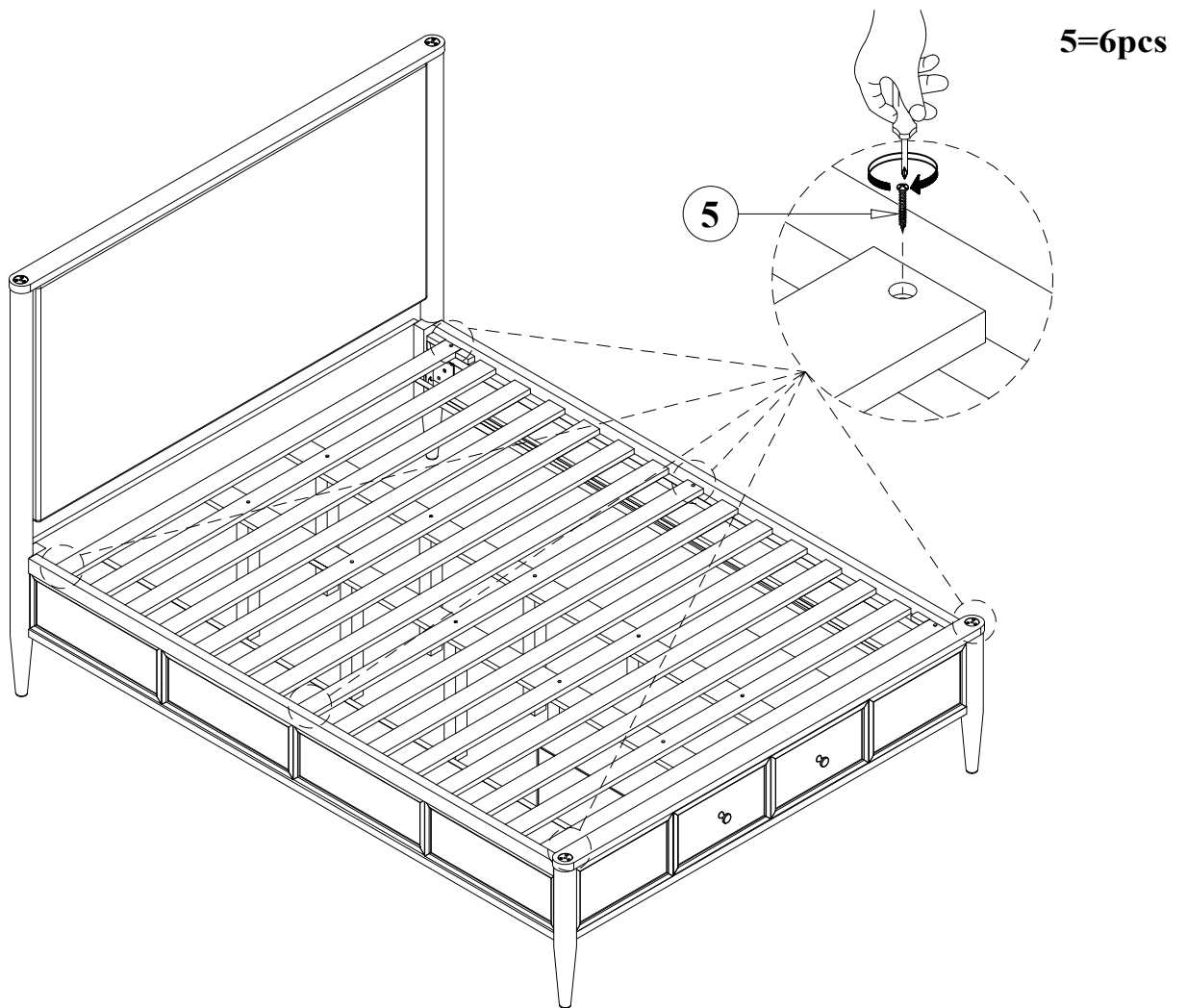
STEP 2



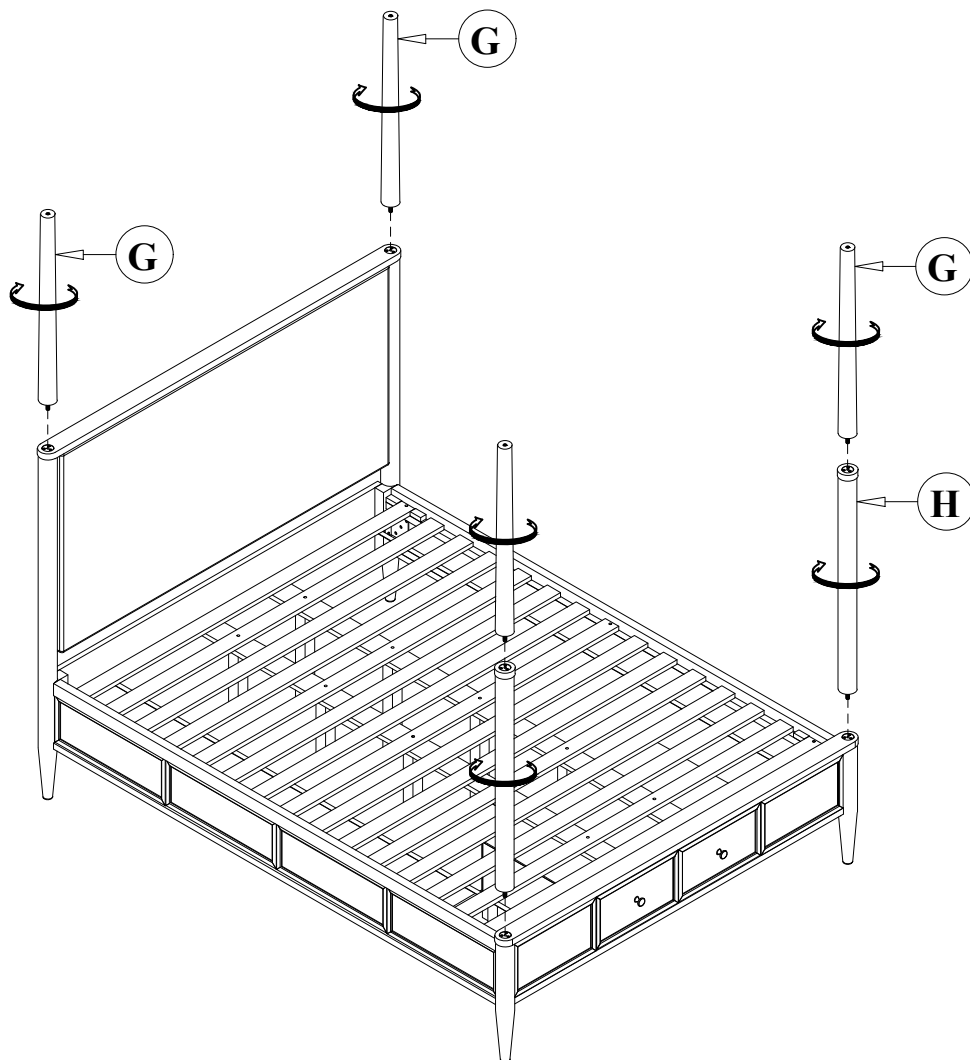
STEP 3



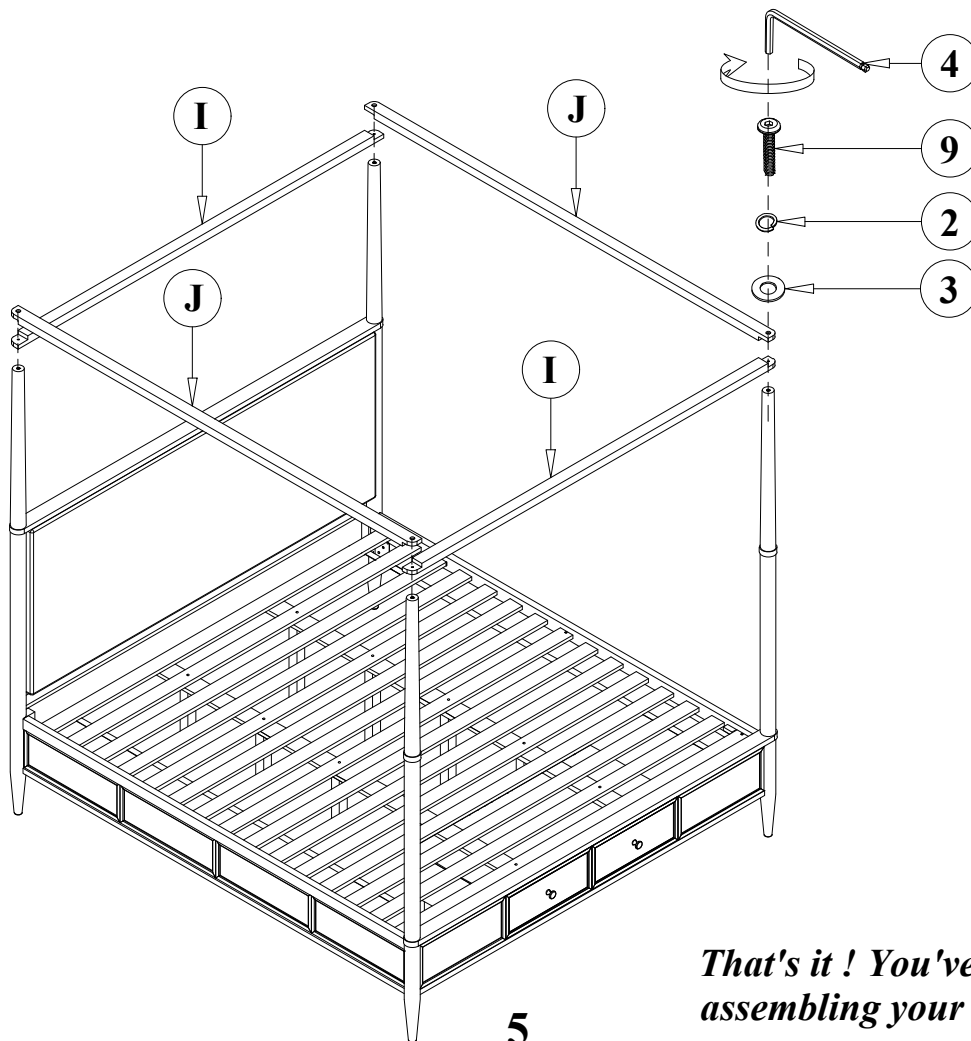
STEP 4



STEP 5



STEP 6



That's it ! You've finished assembling your item. Thank you!