



LIVING SPACES

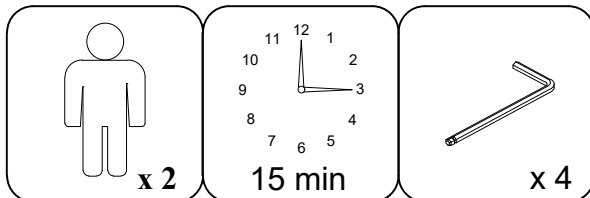
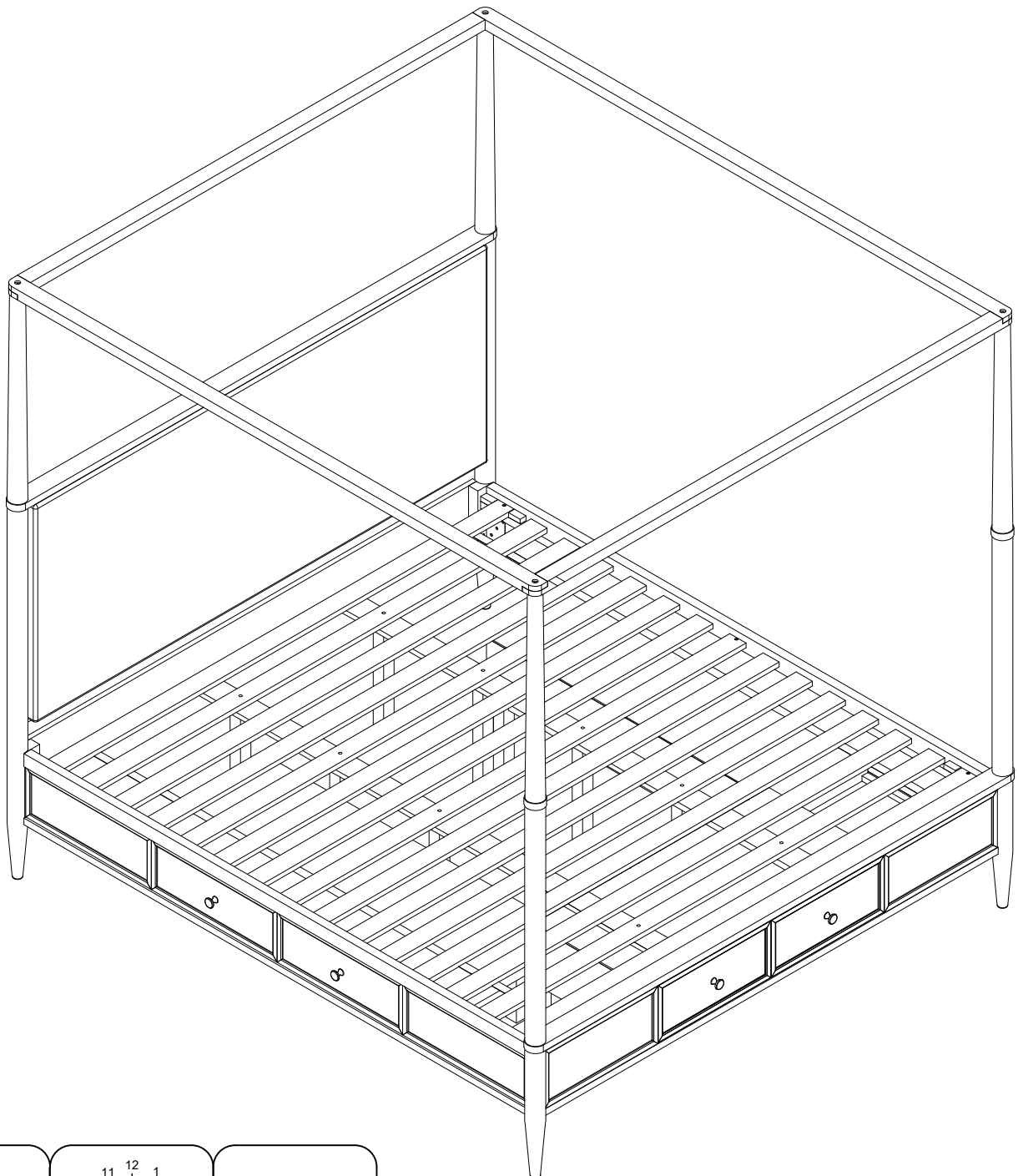
# ASSEMBLY INSTRUCTIONS

**AUSTEN KING CANOPY UPH BED W/  
SIDE & FOOTBOARD STORAGE**


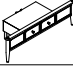

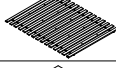

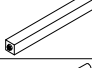
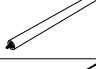
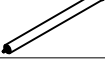


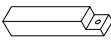
SKU:318051/318053/318056/318054

**AUSTEN KING CANOPY PANEL BED W/  
SIDE & FOOTBOARD STORAGE**

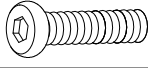
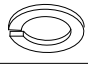



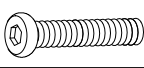
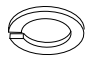
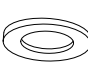
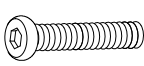
SKU:337959/318053/318056/318054



**1**

<b>PART</b>	<b>SKU#</b>	<b>IMAGE</b>	<b>DESCRIPTION</b>	<b>QTY</b>
(A)	318051/337959		Head Board	1
(B)	318053		Storage Foot Board	1
(C)	318056		Storage Side Rail	2
(D)	318053		Slat	1 set
(E)	318053		Middle Support Bar	4
(F)	318053		Support With Leveler	10
(G)	318051/318053		Head Board/Foot Board Posts canopy	4
(H)	318053		Foot Board Posts canopy	2
(I)	318054		Head Board/Foot Board canopy	2
(J)	318054		Lift/Right canopy rail	2
(K)	318053/318056		Foot Board, Side Rail back leg	6

### Hardware List

<b>PART</b>	<b>SKU#</b>	<b>IMAGE</b>	<b>DESCRIPTION</b>	<b>QTY</b>
(1)	318056		Bolts 5/16" *25mm	8
(2)	318056/318054		Spring Washer 5/16" Dia	12
(3)	318056/318054		Flat Washer 5/16" * Dia	12
(4)	318053/318056/318054		Allen key	4
(5)	318053		Screw #8* 30mm	6
(6)	318053/318056		Bolts 1/4" *38mm	6
(7)	318053/318056		Spring Washer 1/4" *11mm	6
(8)	318053/318056		Flat Washer 1/4" *19mm	6
(9)	318054		Bolts 5/16" *60mm	4

**THE HARDWARE IS LOCATED IN THE PACKING ITEM**

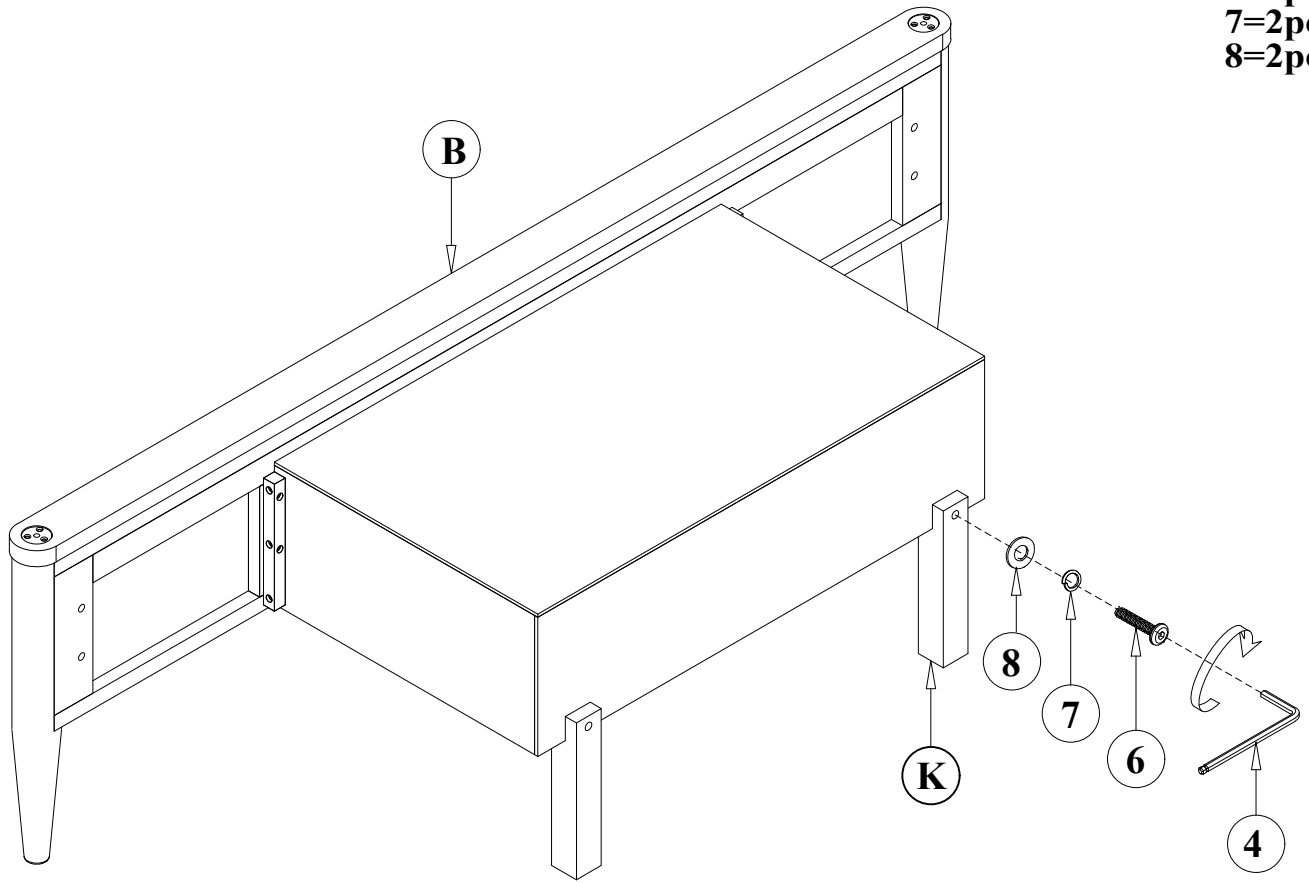
**MUST: TIGHTEN SCREWS PERIODIACLLY. WITH USE SCREW MAY ENCOME LOOSE CHECK TIGHTNESS OF ALL SCREWS EVERY 6-8 WEEKS.**

### CLEANING INSTRUCTIONS:

After assembly, clean and polish the completed parts if necessary with soft cloth and industrial recognized furniture polish.

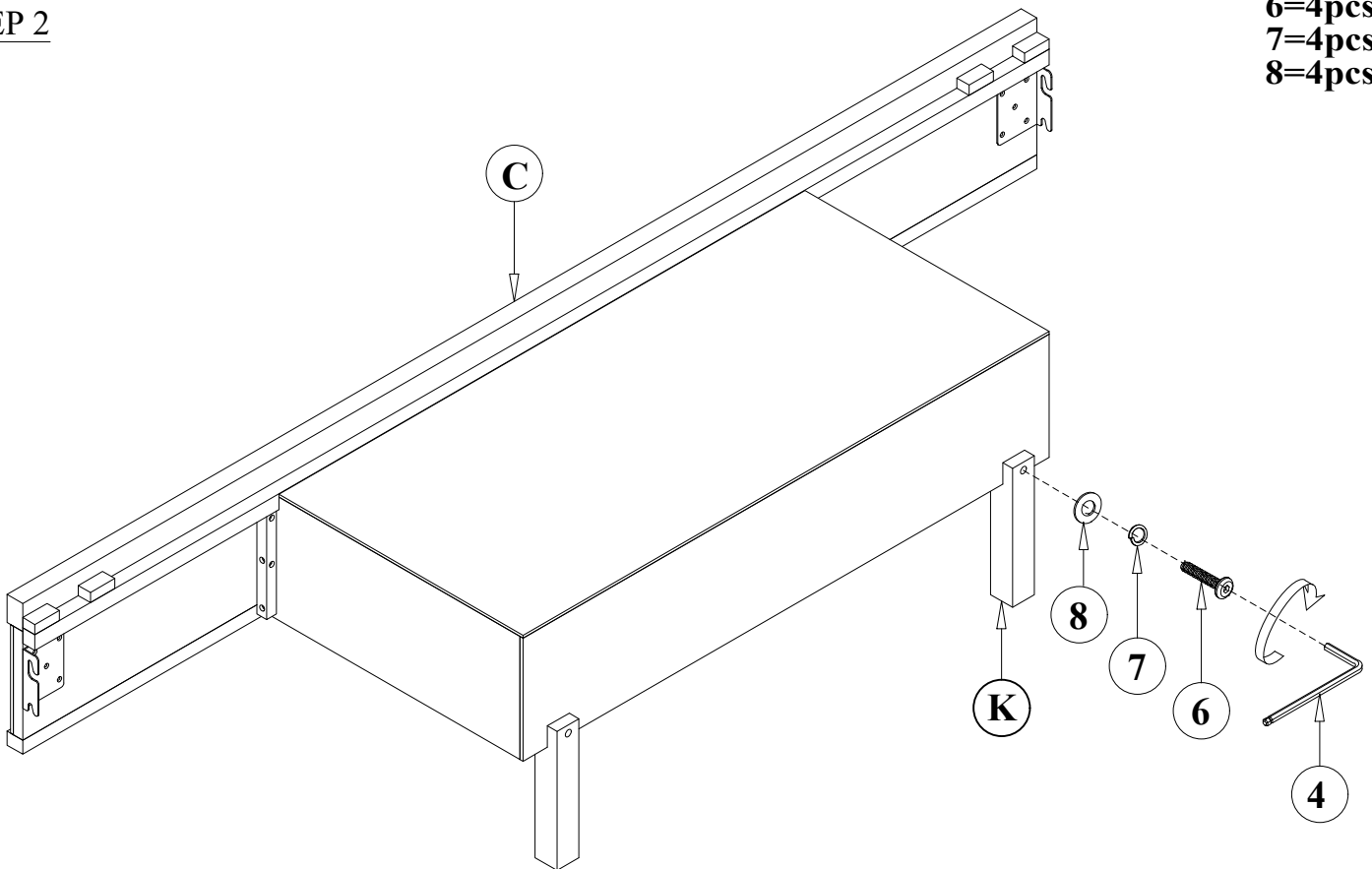
STEP 1

6=2pcs  
7=2pcs  
8=2pcs



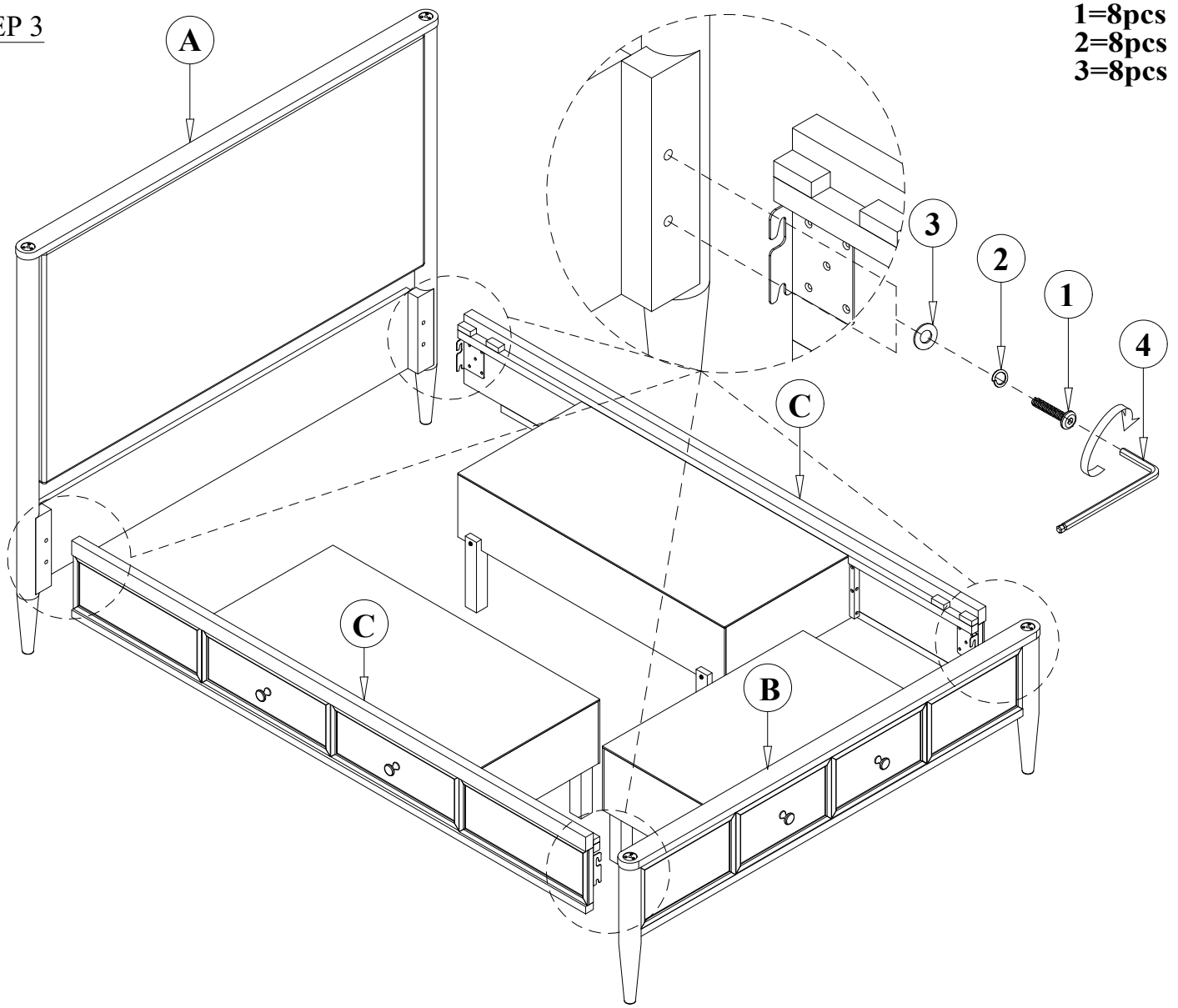
STEP 2

6=4pcs  
7=4pcs  
8=4pcs

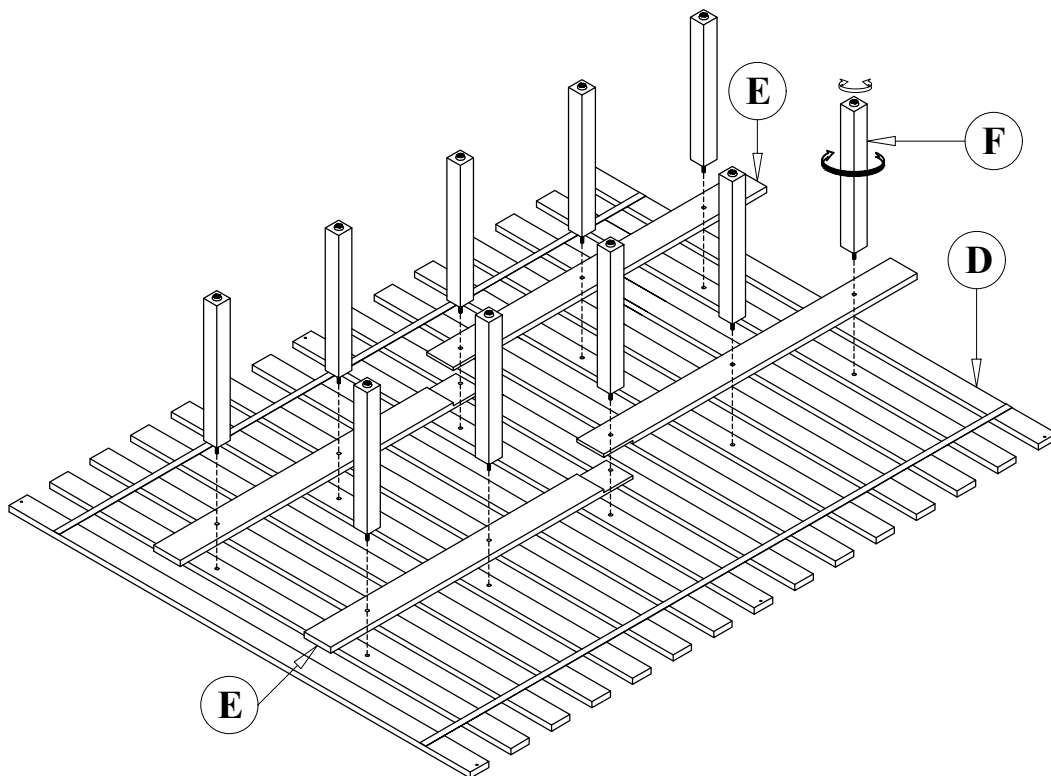


**STEP 3**

**1=8pcs**  
**2=8pcs**  
**3=8pcs**

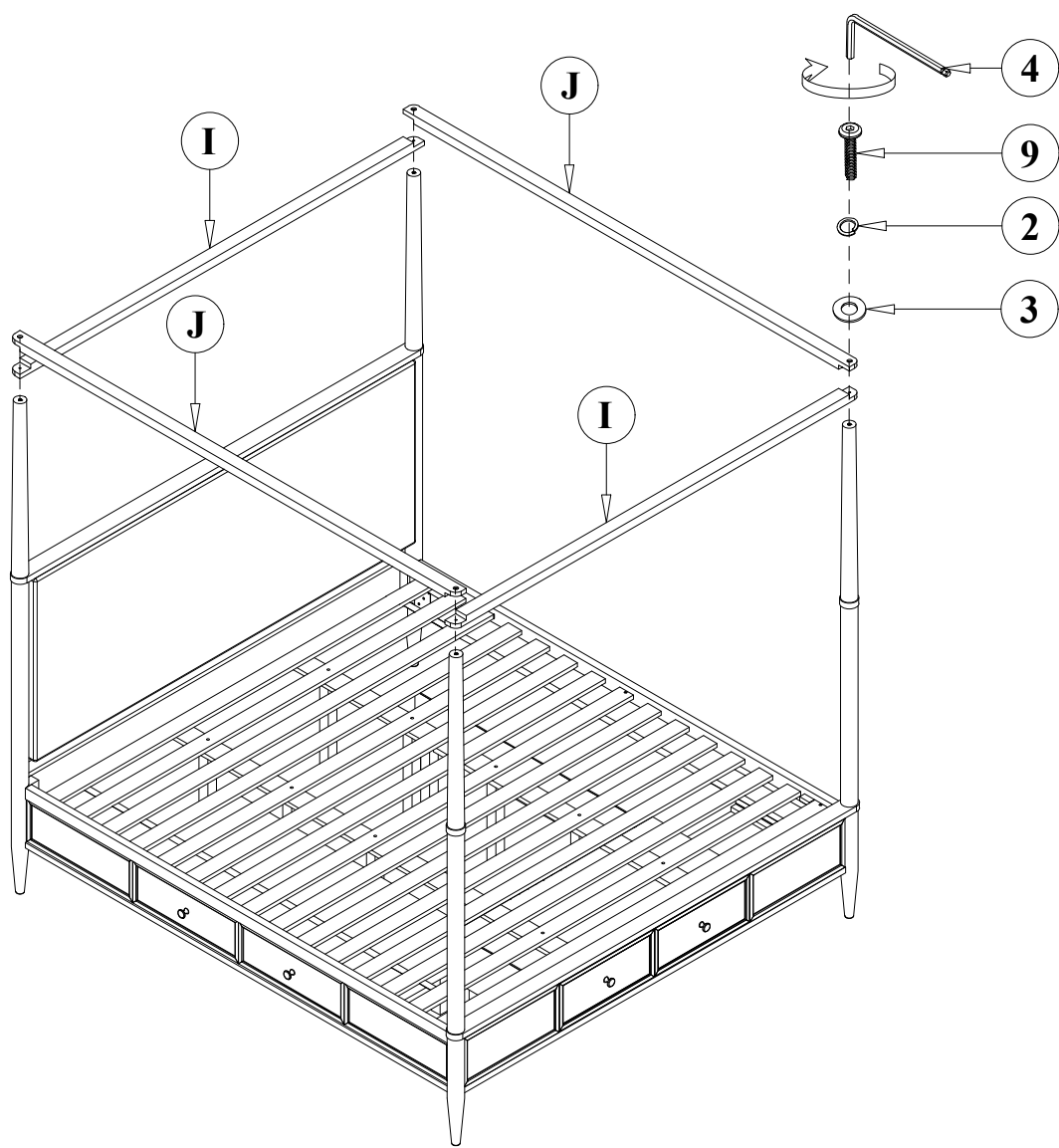


**STEP 4**

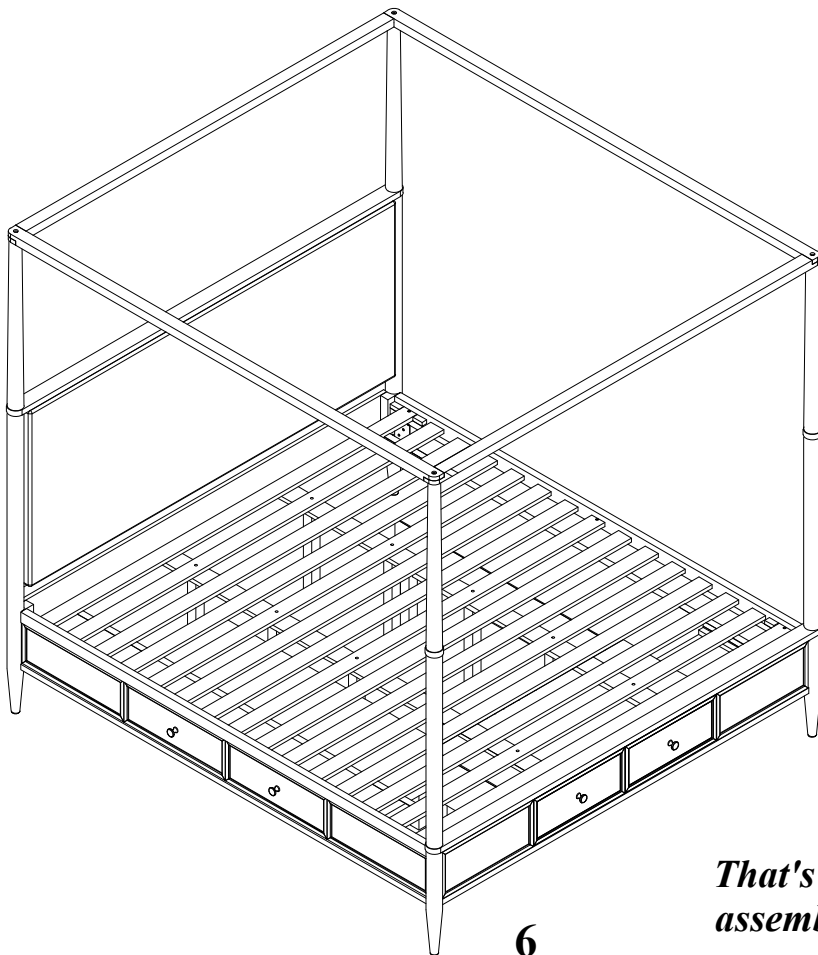




STEP 7



9=4pcs  
2=4pcs  
3=4pcs



*That's it ! You've finished assembling your item. Thank you!*