



LIVING SPACES

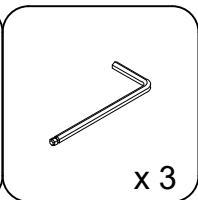
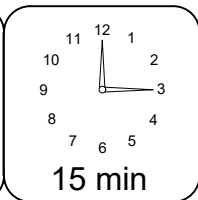
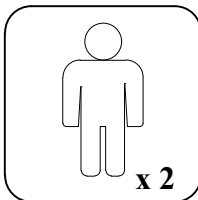
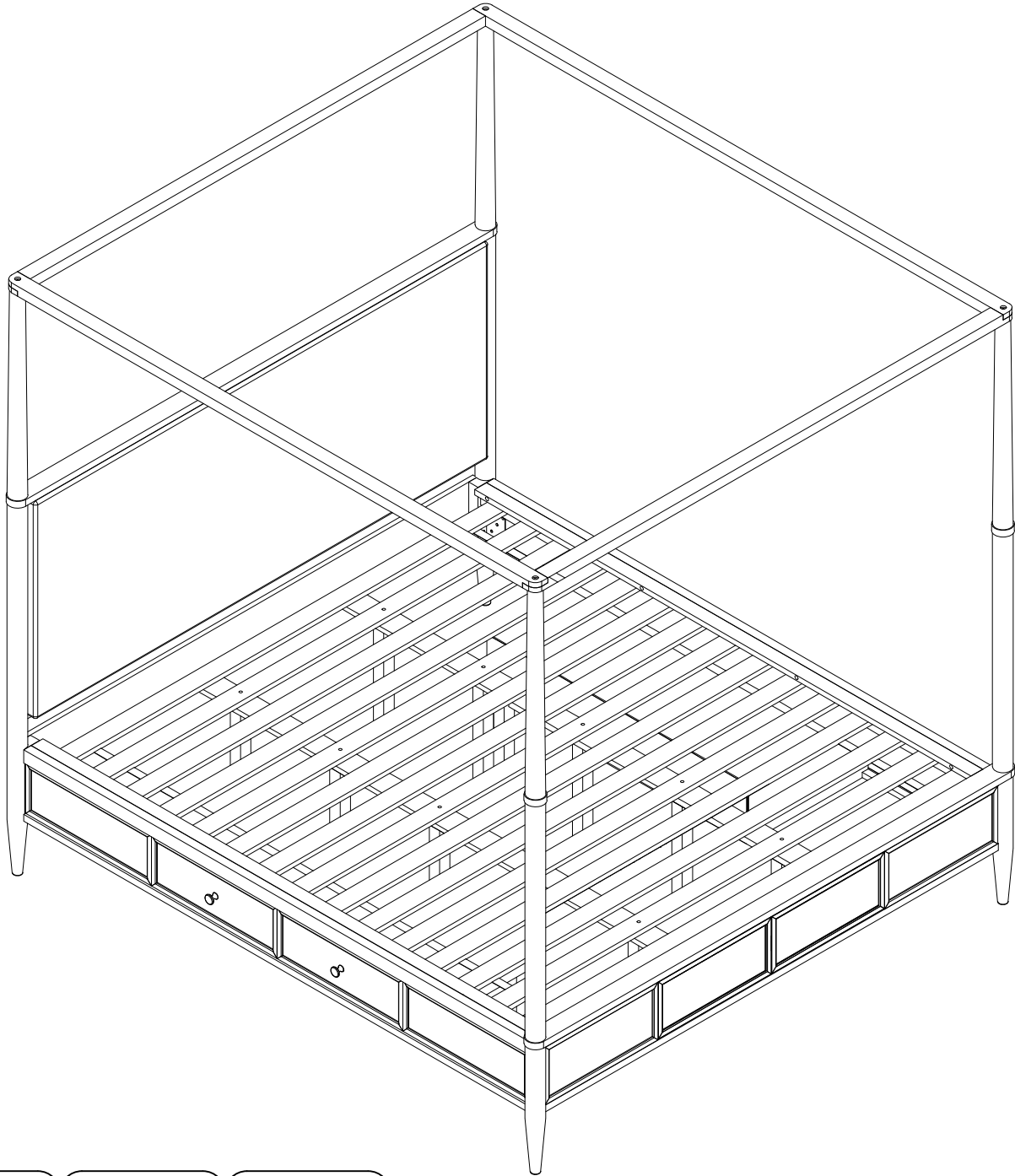
ASSEMBLY INSTRUCTIONS

**AUSTEN CALIFORNIA KING CANOPY UPH
BED W/ SIDE STORAGE**



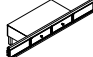
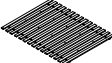
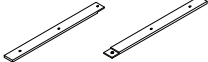


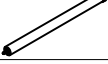

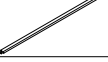
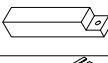

SKU:318051/318052/318059/318055

**AUSTEN CALIFORNIA KING CANOPY PANEL BED
W/ SIDE STORAGE**

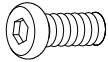
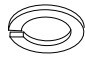
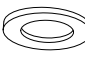


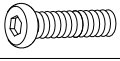


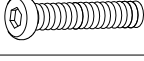

SKU:337959/318052/318059/318055



1

PART	SKU#	IMAGE	DESCRIPTION	QTY
(A)	318051/337959		Head Board	1
(B)	318052		Storage Foot Board	1
(C)	318059		Storage Side Rail	2
(D)	318052		Slat	1 set
(E)	318052		Middle Support Bar	4
(F)	318052		Support With Leveler	10
(G)	318051/318052		Head Board/Foot Board Posts canopy	4
(H)	318052		Foot Board Posts canopy	2
(I)	318055		Head Board/Foot Board canopy	2
(J)	318055		Lift/Right canopy rail	2
(K)	318059		Side Rail back leg	4
(L)	318059		Cap Rail	2

Hardware List

PART	SKU#	IMAGE	DESCRIPTION	QTY
(1)	318059		Bolts 5/16" *25mm	8
(2)	318059/318055		Spring Washer 5/16" Dia	12
(3)	318059/318055		Flat Washer 5/16" * Dia	12
(4)	318059/318055		Allen key	3
(5)	318053		Screw #8* 30mm	6
(6)	318059		Bolts 1/4" *38mm	4
(7)	318059		Spring Washer 1/4"*11mm	4
(8)	318059		Flat Washer 1/4" *19mm	4
(9)	318055		Bolts 5/16" *60mm	4
(10)	318059		Bolts 1/4" *45mm	8

THE HARDWARE IS LOCATED IN THE PACKING ITEM

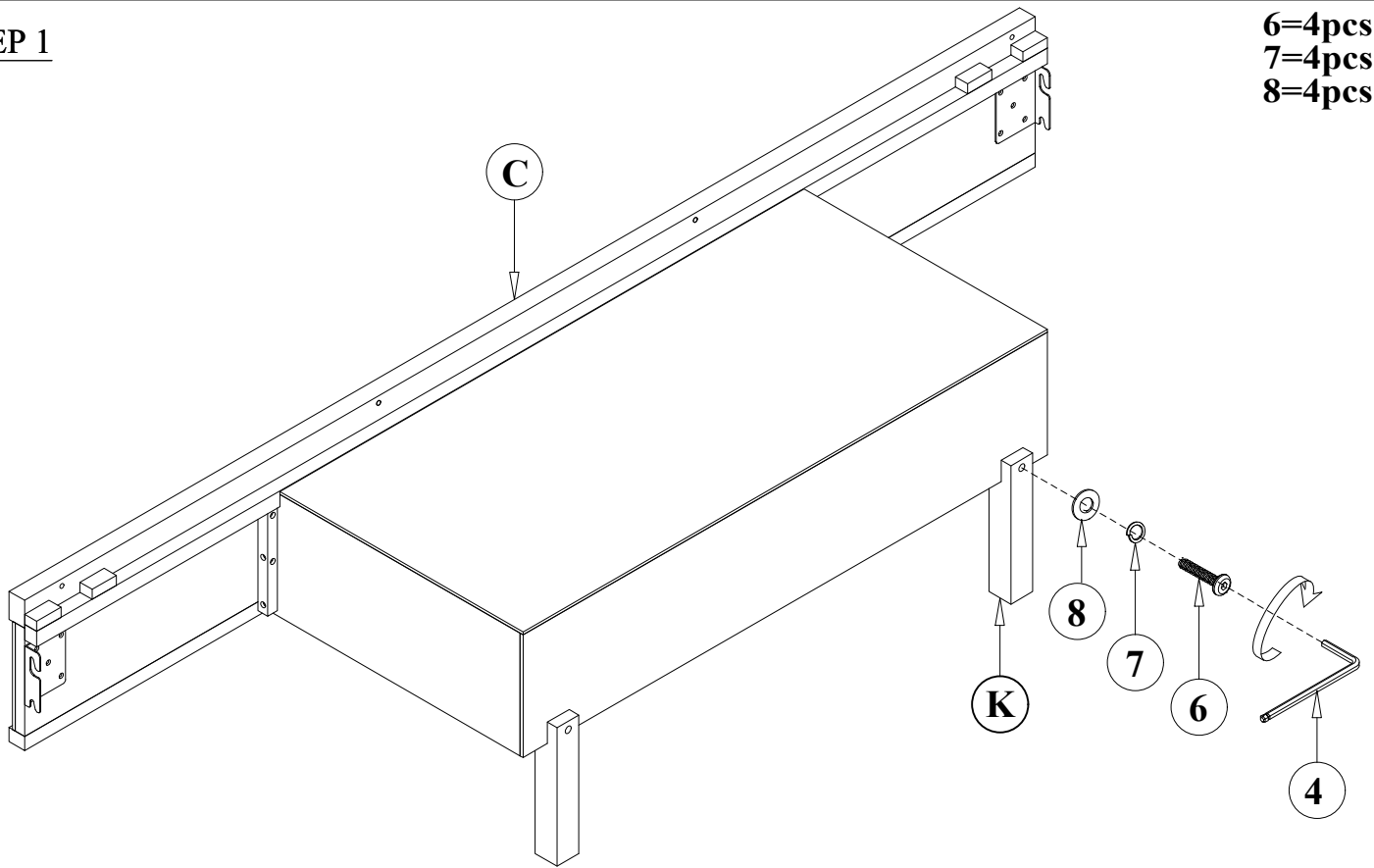
MUST: TIGHTEN SCREWS PERIODIACLLY. WITH USE SCREW MAY ENCOME LOOSE CHECK TIGHTNESS OF ALL SCREWS EVERY 6-8 WEEKS.

CLEANING INSTRUCTIONS:

After assembly, clean and polish the completed parts if necessary with soft cloth and industrial recognized furniture polish.

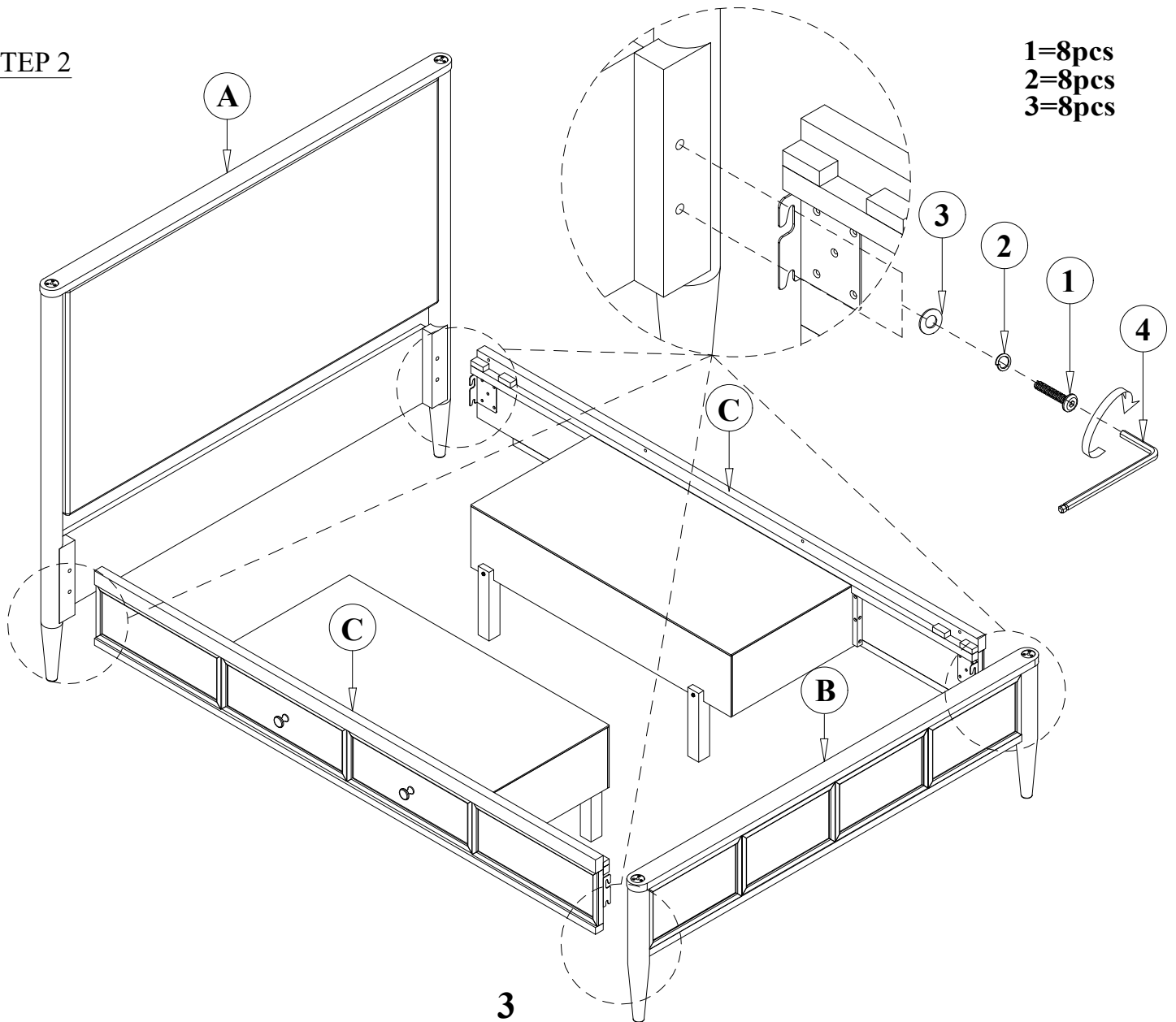
STEP 1

6=4pcs
7=4pcs
8=4pcs

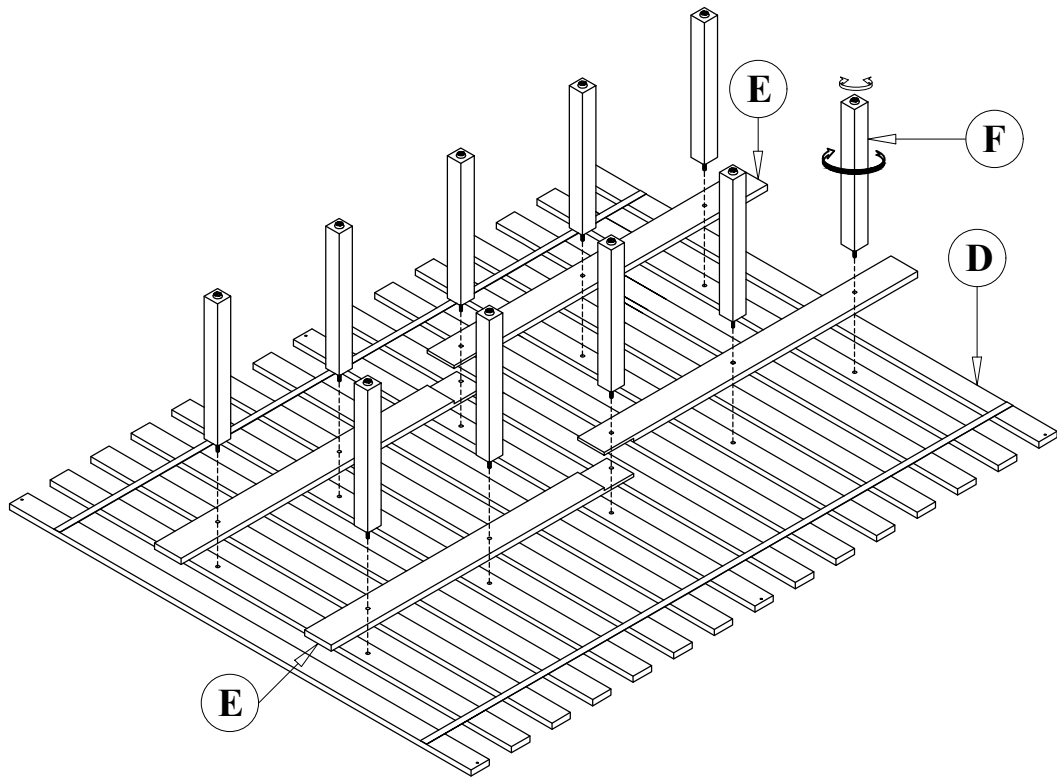


STEP 2

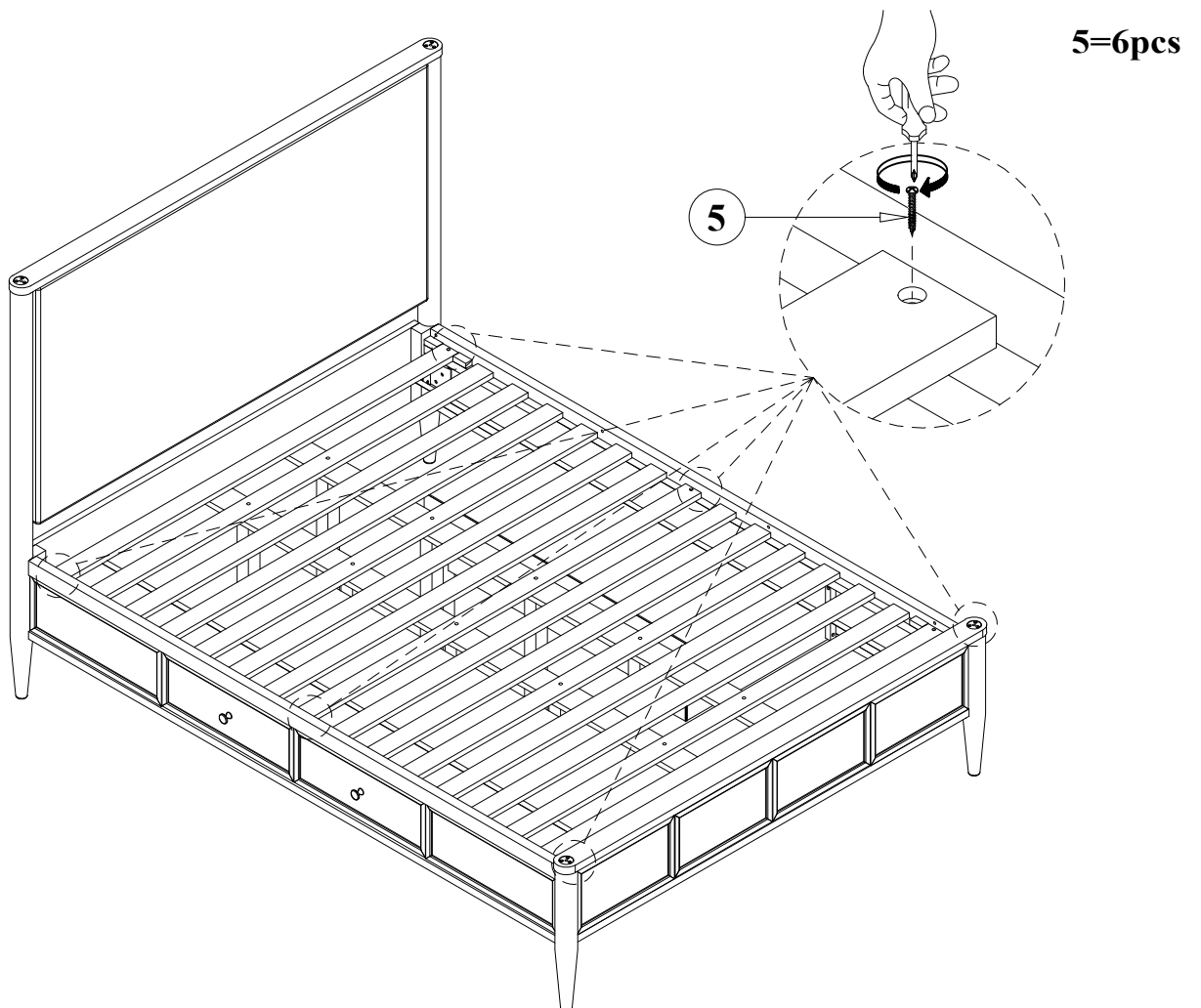
1=8pcs
2=8pcs
3=8pcs



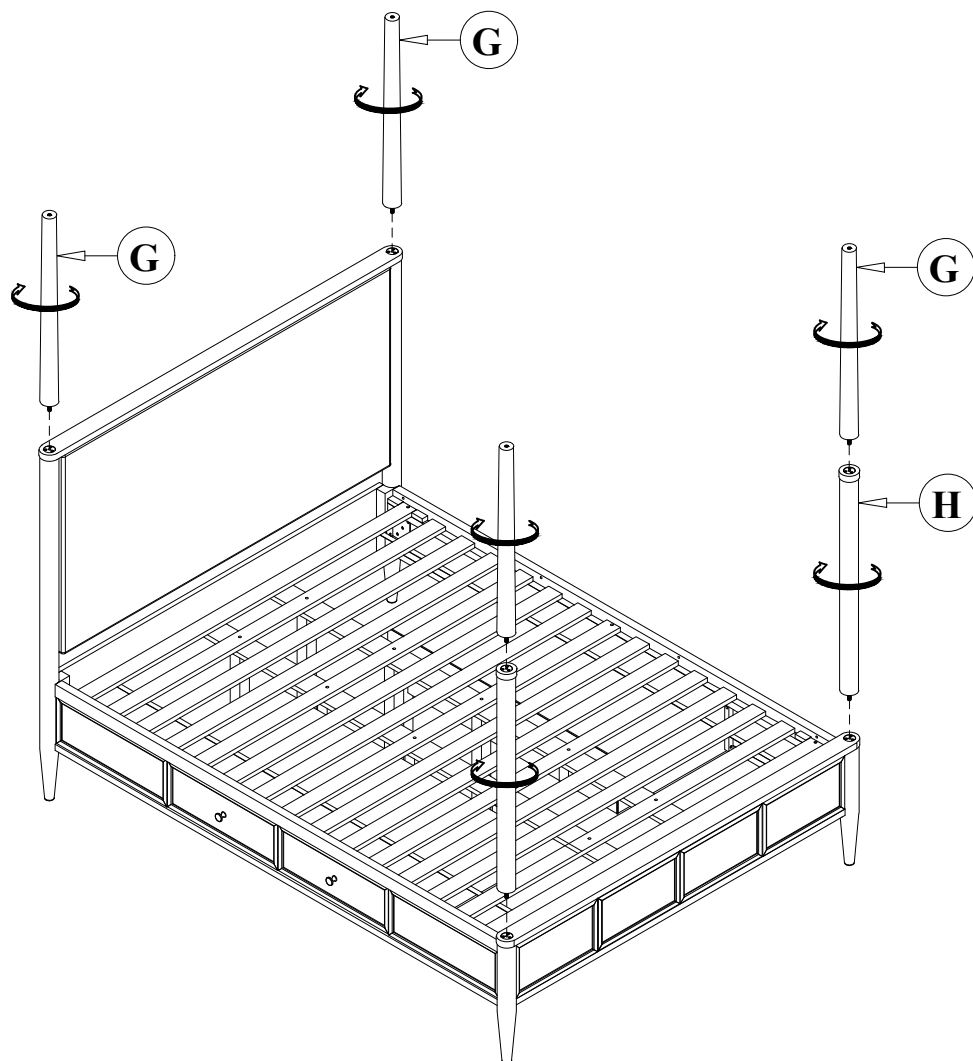
STEP 3



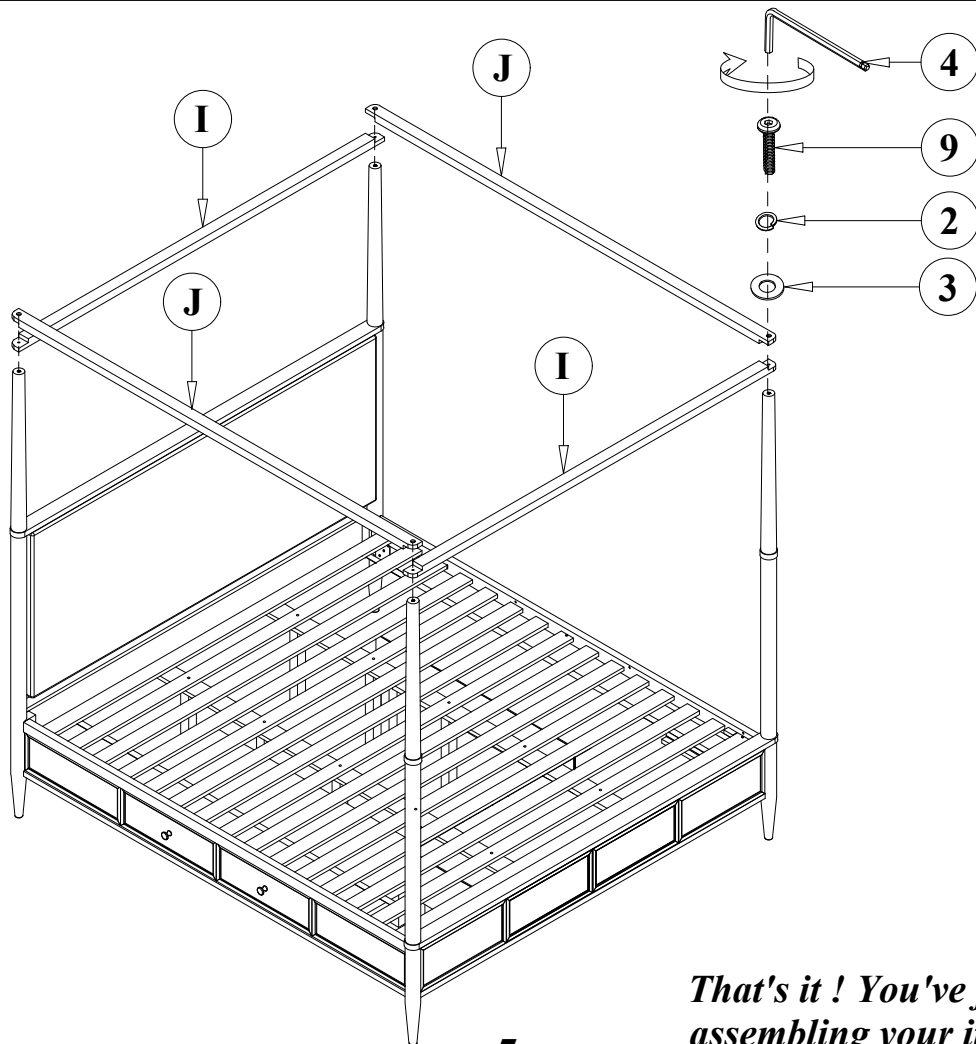
STEP 4



STEP 5

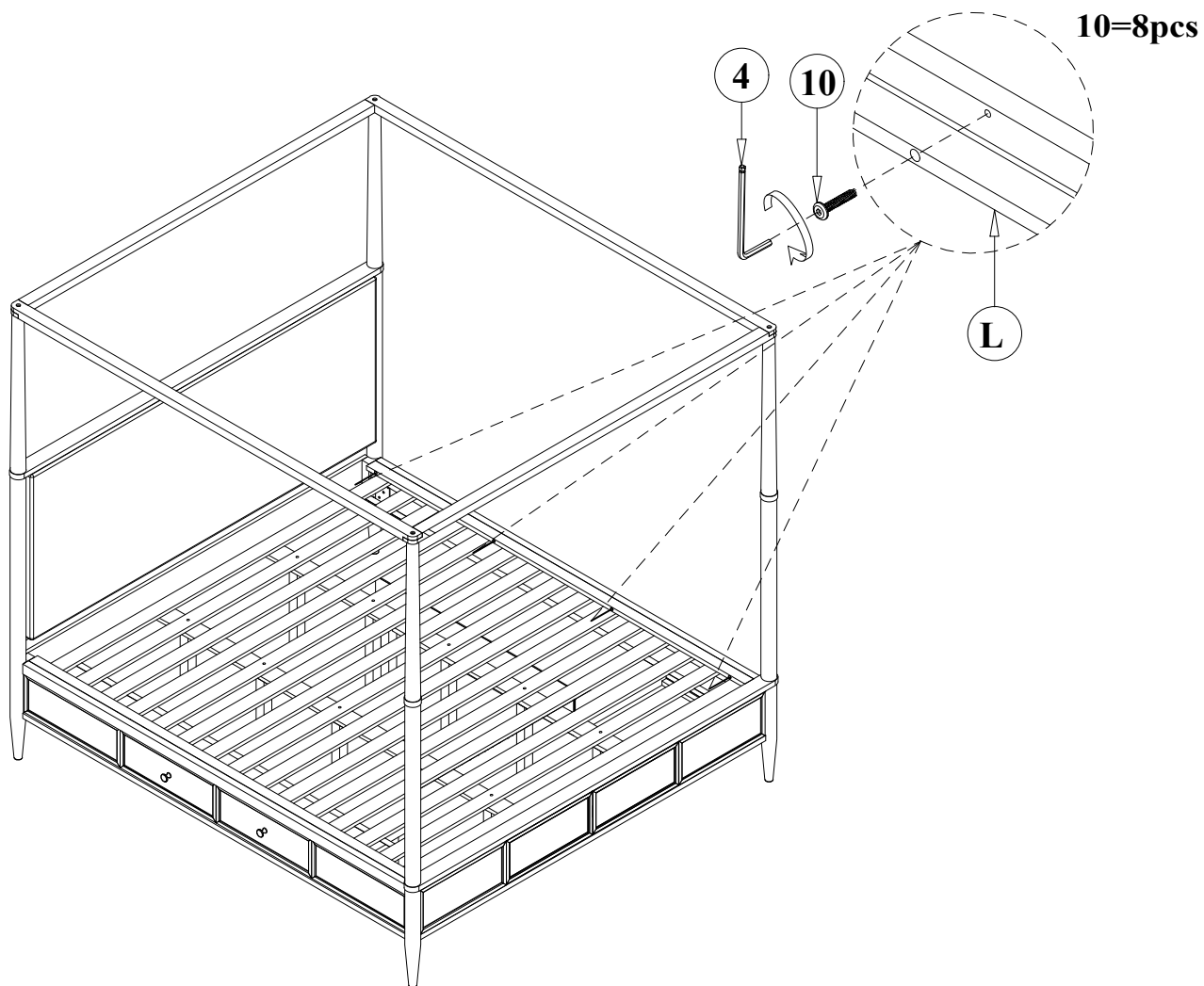


STEP 6

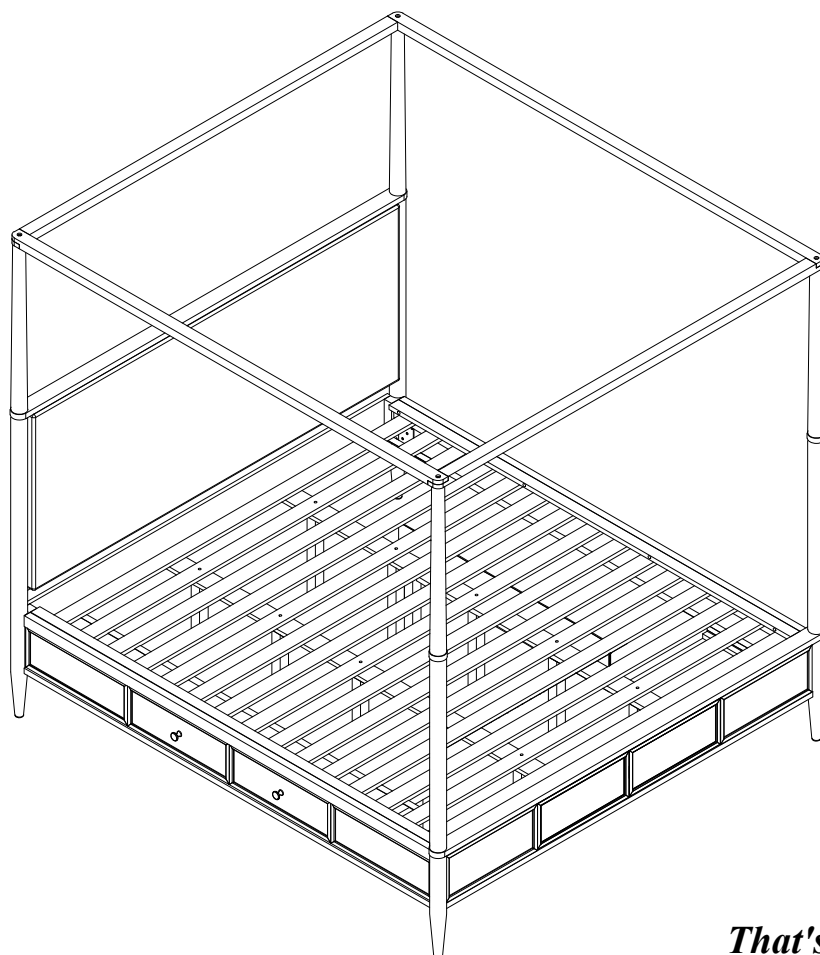


That's it ! You've finished assembling your item. Thank you!

STEP 7



STEP 8



*That's it ! You've finished
assembling your item. Thank you!*