



LIVING SPACES

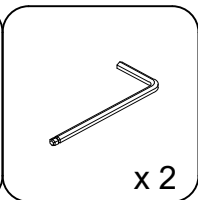
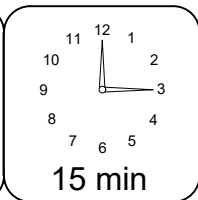
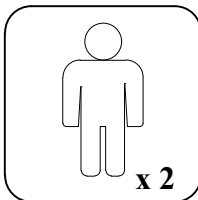
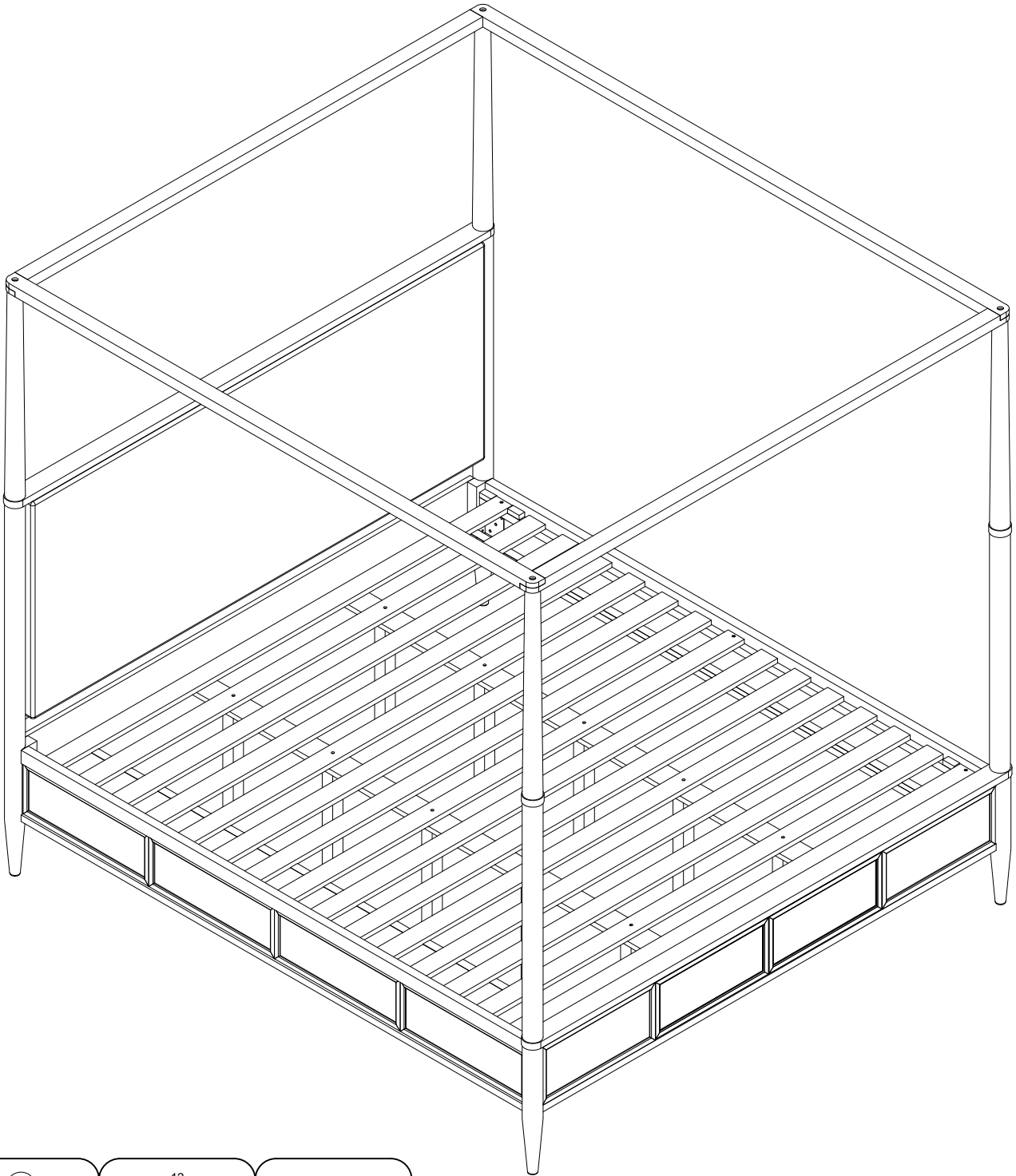
ASSEMBLY INSTRUCTIONS

AUSTEN KING CANOPY UPH BED


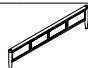

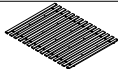
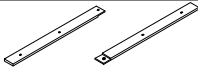
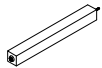
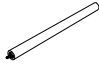



SKU:318051/318052/318057/318054

AUSTEN KING CANOPY PANEL BED

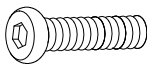
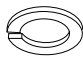

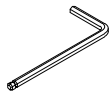

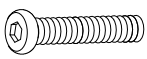
SKU:337959/318052/318057/318054



1

PART	SKU#	IMAGE	DESCRIPTION	QTY
(A)	318051/337959		Head Board	1
(B)	318052		Foot Board	1
(C)	318057		Side Rail	2
(D)	318052		Slat	1 set
(E)	318052		Middle Support Bar	4
(F)	318052		Support With Leveler	10
(G)	318051/318052		Head Board/Foot Board Posts canopy	4
(H)	318052		Foot Board Posts canopy	2
(I)	318054		Head Board/Foot Board canopy	2
(J)	318054		Lift/Right canopy rail	2

Hardware List

PART	SKU#	IMAGE	DESCRIPTION	QTY
(1)	318057		Bolts 5/16" *25mm	8
(2)	318057/318054		Spring Washer 5/16" Dia	12
(3)	318057/318054		Flat Washer 5/16" * Dia	12
(4)	318057/318054		Allen key	2
(5)	318052		Screw #8* 30mm	6
(6)	318054		Bolts 5/16" *60mm	4

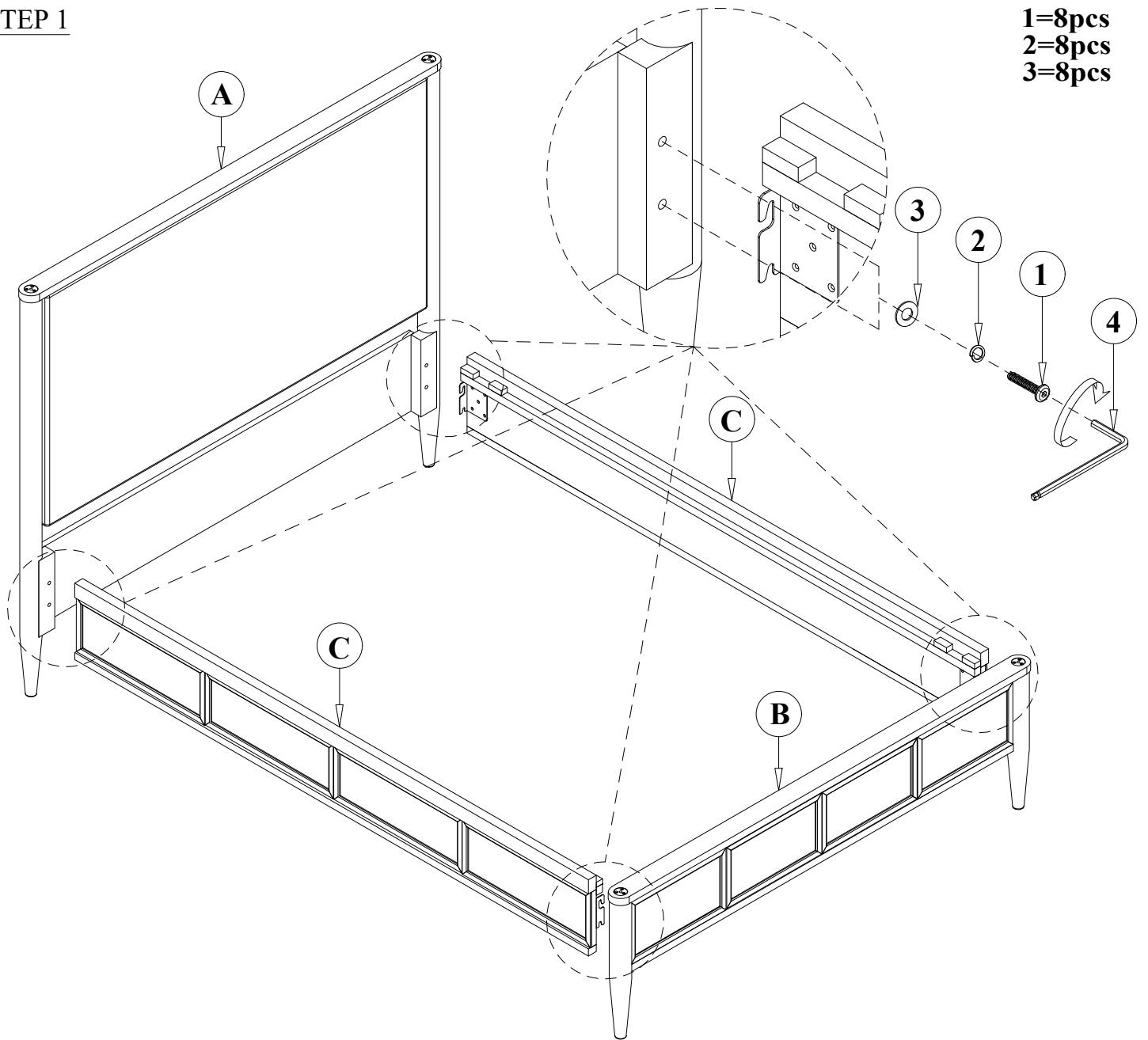
THE HARDWARE IS LOCATED IN THE PACKING ITEM

MUST: TIGHTEN SCREWS PERIODIACLLY. WITH USE SCREW MAY ENCOME LOOSE CHECK TIGHTNESS OF ALL SCREWS EVERY 6-8 WEEKS.

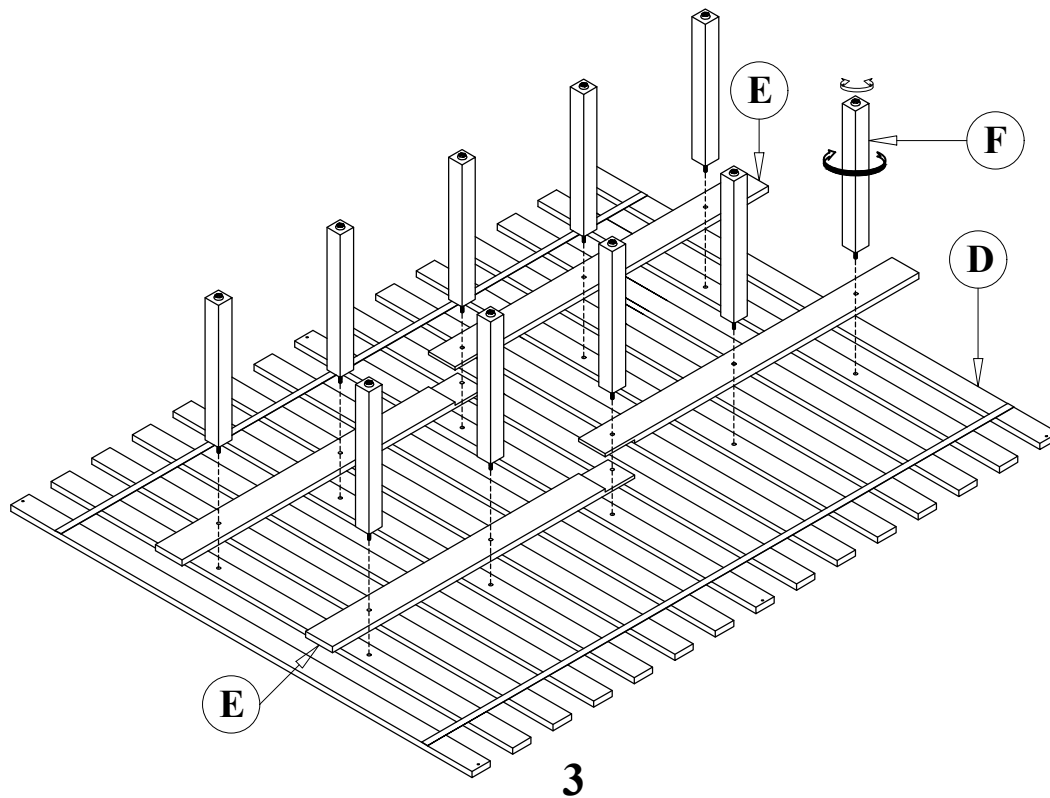
CLEANING INSTRUCTIONS:

After assembly, clean and polish the completed parts if necessary with soft cloth and industrial recognized furniture polish.

STEP 1

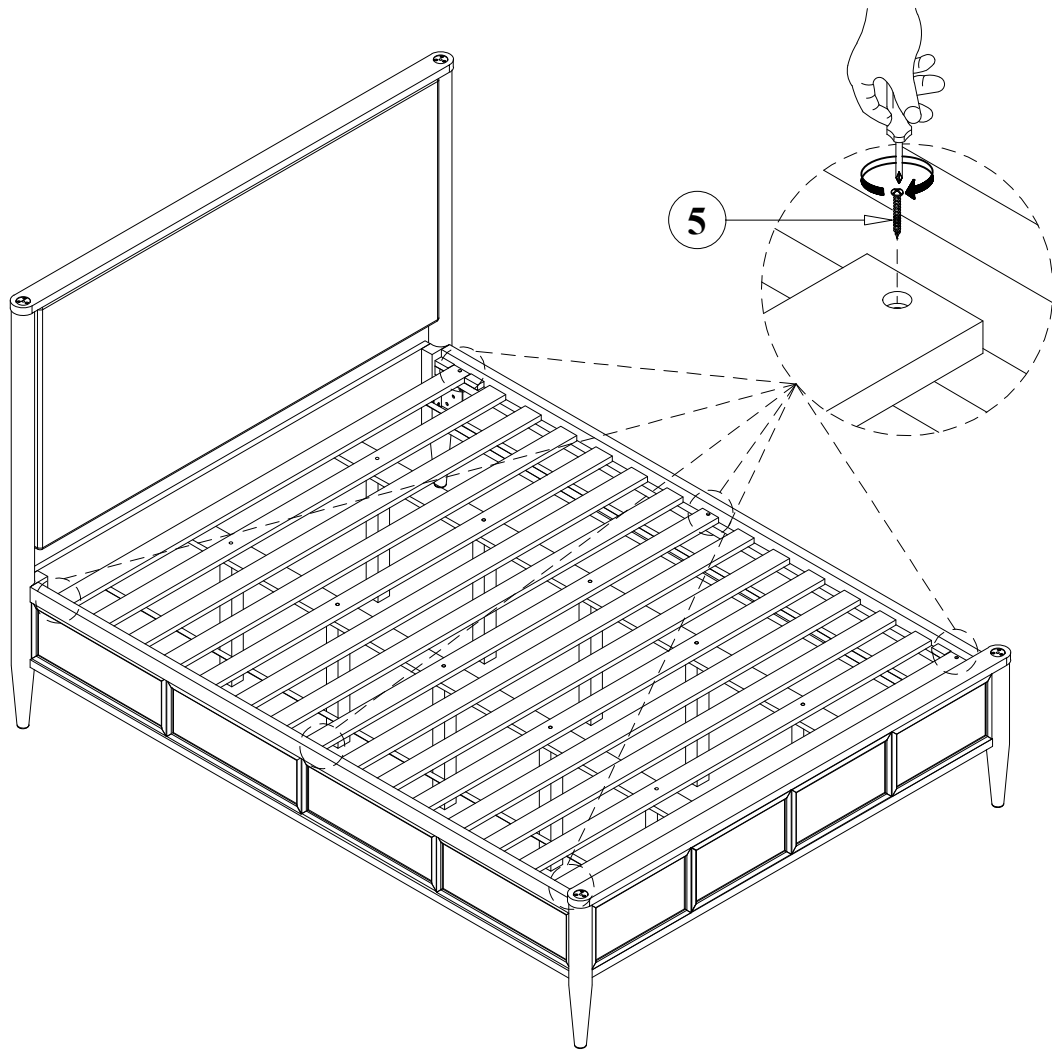


STEP 2

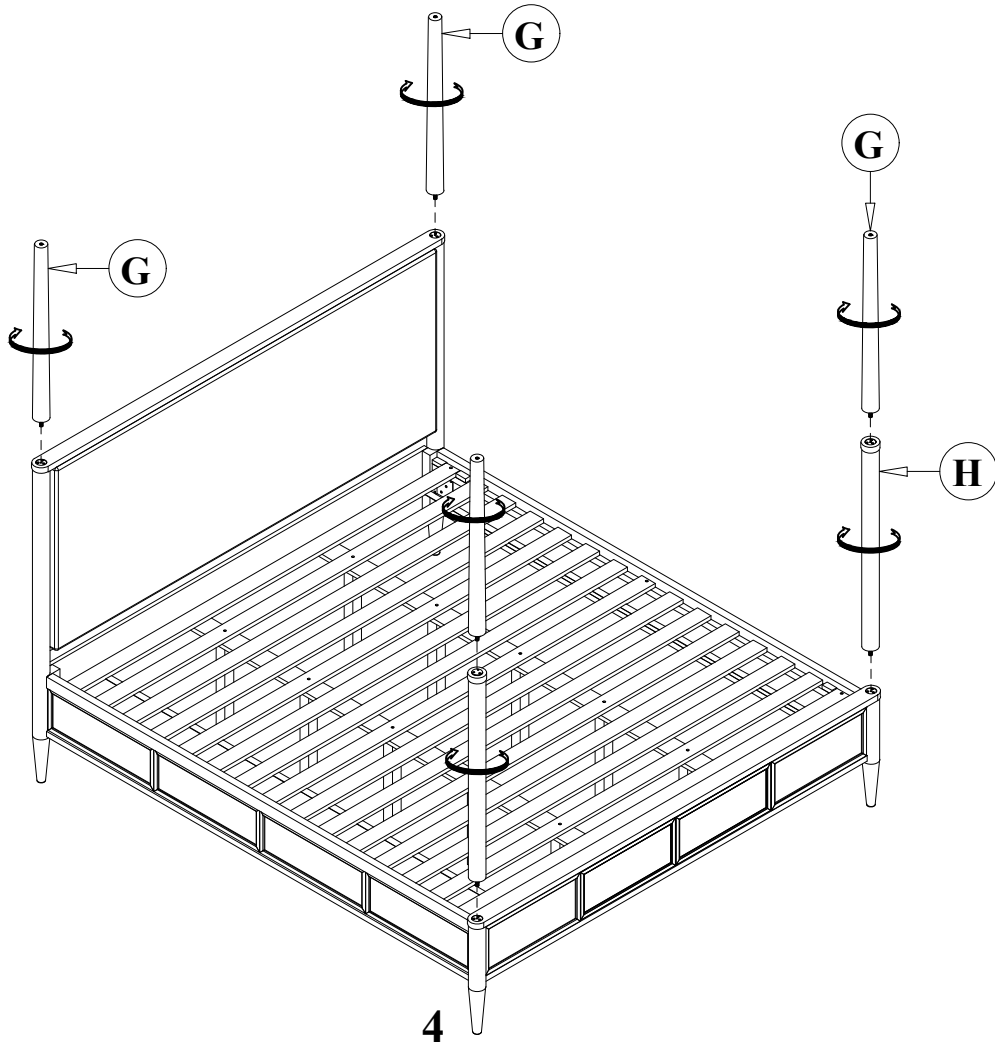


STEP 3

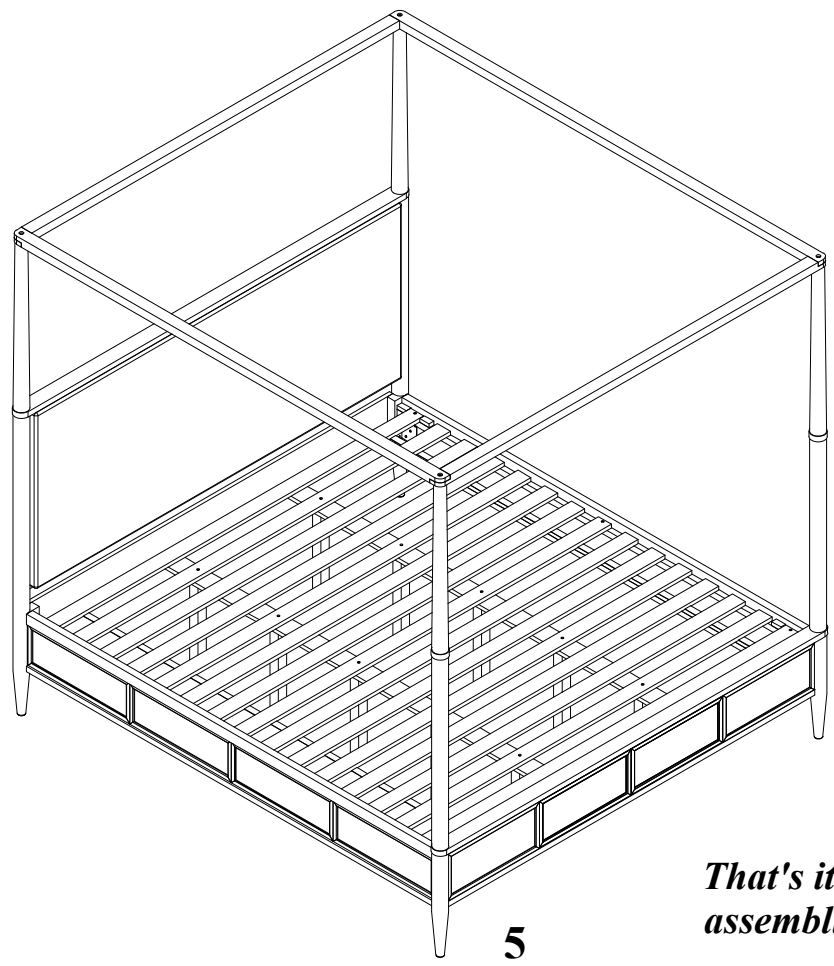
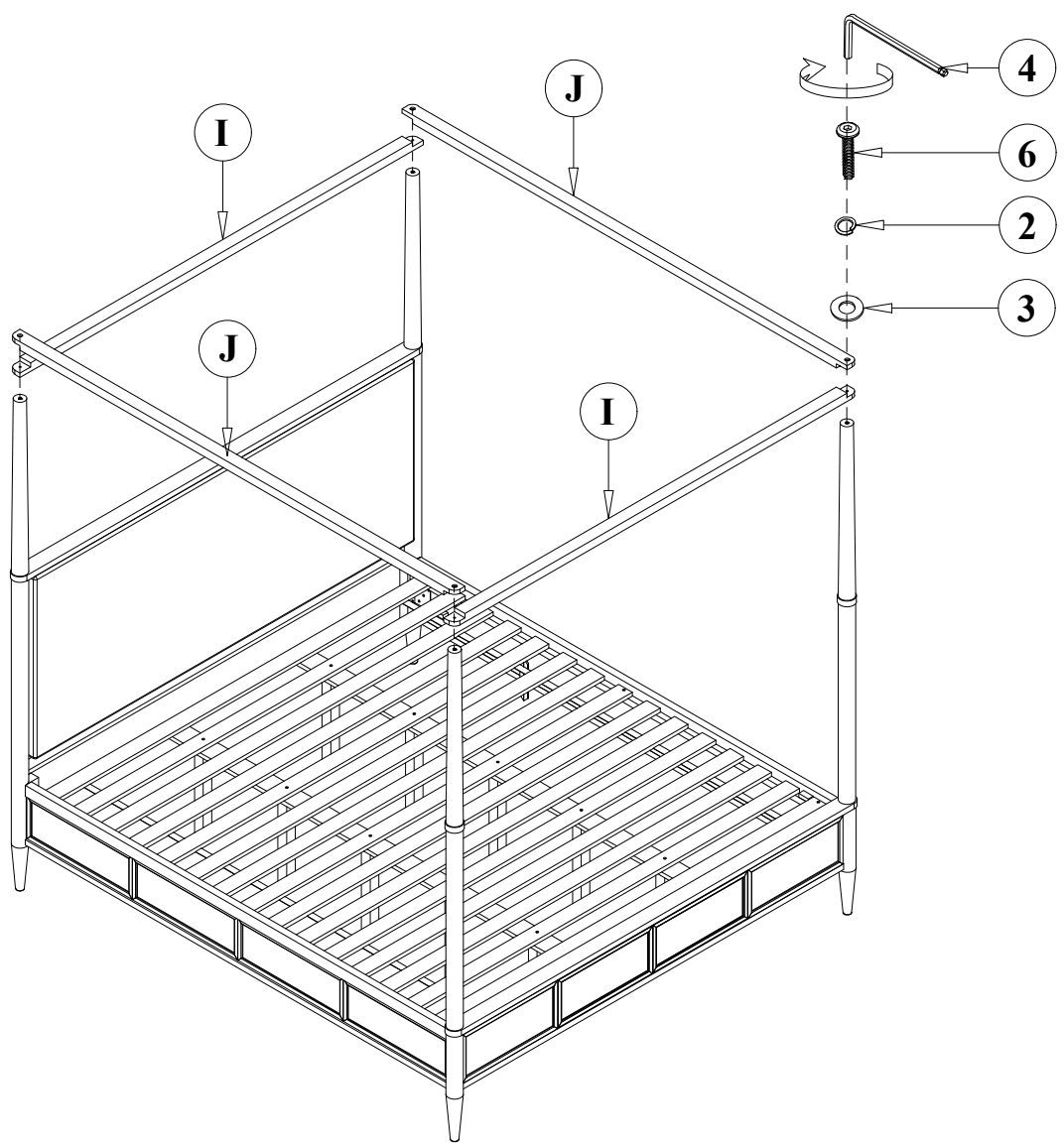
5=6pcs



STEP 4



STEP 5



That's it ! You've finished assembling your item. Thank you!