

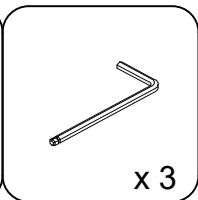
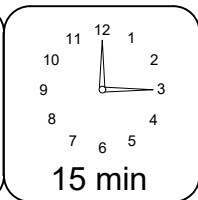
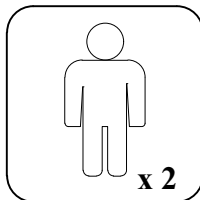
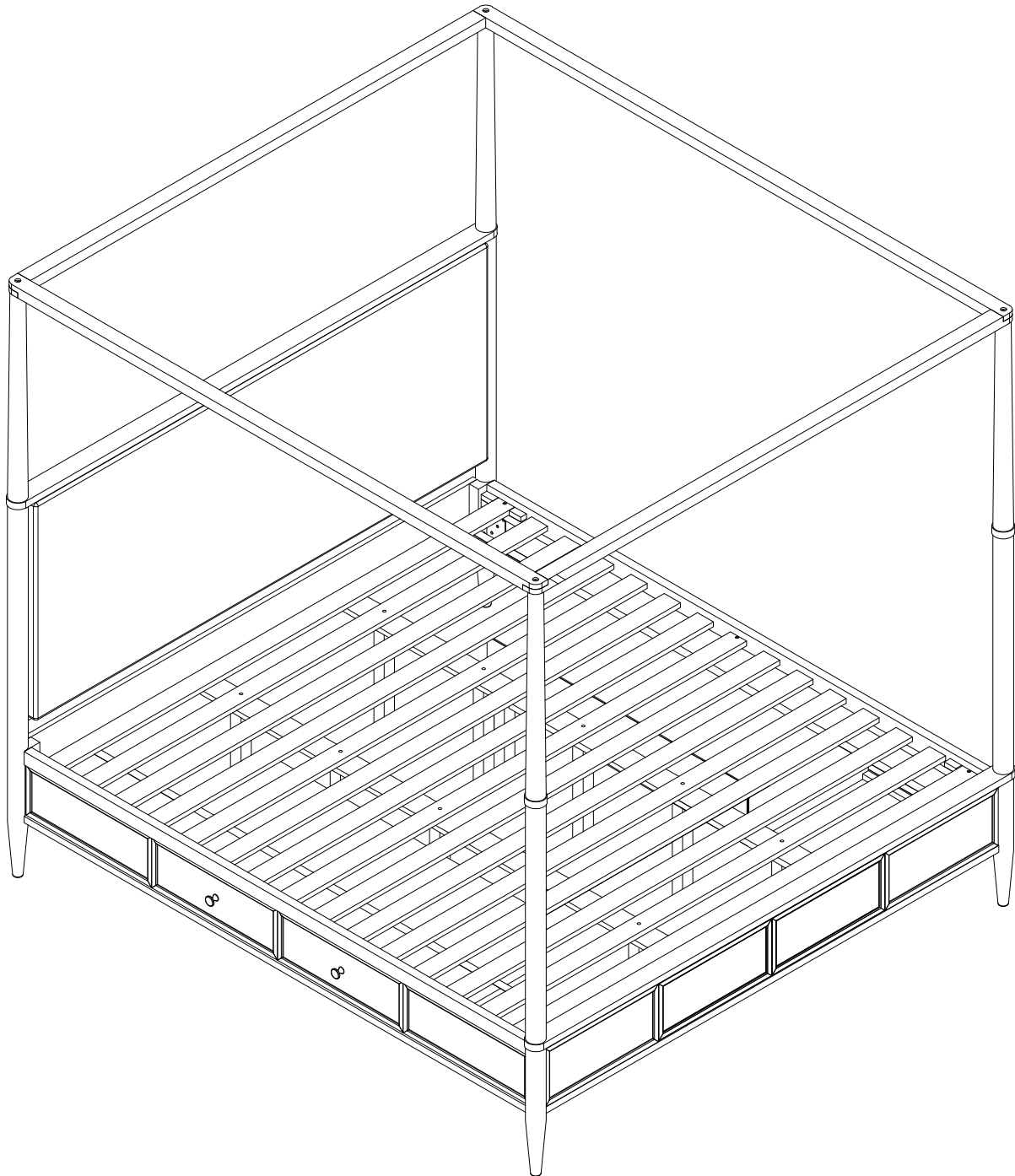


LIVING SPACES


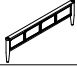

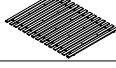
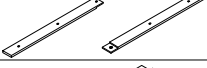
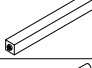

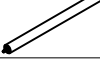
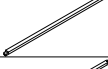

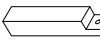
ASSEMBLY INSTRUCTIONS

AUSTEN KING CANOPY UPH BED W/ SIDE STORAGE SKU:318051/318052/318056/318054

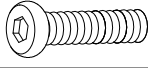
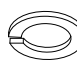
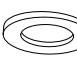


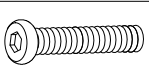
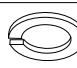
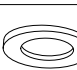
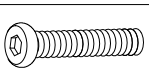
AUSTEN KING CANOPY PANEL BED W/ SIDE STORAGE SKU:337959/318052/318056/318054



1

PART	SKU#	IMAGE	DESCRIPTION	QTY
(A)	318051/337959		Head Board	1
(B)	318052		Foot Board	1
(C)	318056		Storage Side Rail	2
(D)	318052		Slat	1 set
(E)	318052		Middle Support Bar	4
(F)	318052		Support With Leveler	10
(G)	318051/318052		Head Board/Foot Board Posts canopy	4
(H)	318052		Foot Board Posts canopy	2
(I)	318054		Head Board/Foot Board canopy	2
(J)	318054		Lift/Right canopy rail	2
(K)	318056		Foot Board, Side Rail back leg	6

Hardware List

PART	SKU#	IMAGE	DESCRIPTION	QTY
(1)	318056		Bolts 5/16" *25mm	8
(2)	318056/318054		Spring Washer 5/16" Dia	12
(3)	318056/318054		Flat Washer 5/16" * Dia	12
(4)	318056/318054		Allen key	3
(5)	318053		Screw #8* 30mm	6
(6)	318056		Bolts 1/4" *38mm	4
(7)	318056		Spring Washer 1/4"*11mm	4
(8)	318056		Flat Washer 1/4" *19mm	4
(9)	318054		Bolts 5/16" *60mm	4

THE HARDWARE IS LOCATED IN THE PACKING ITEM

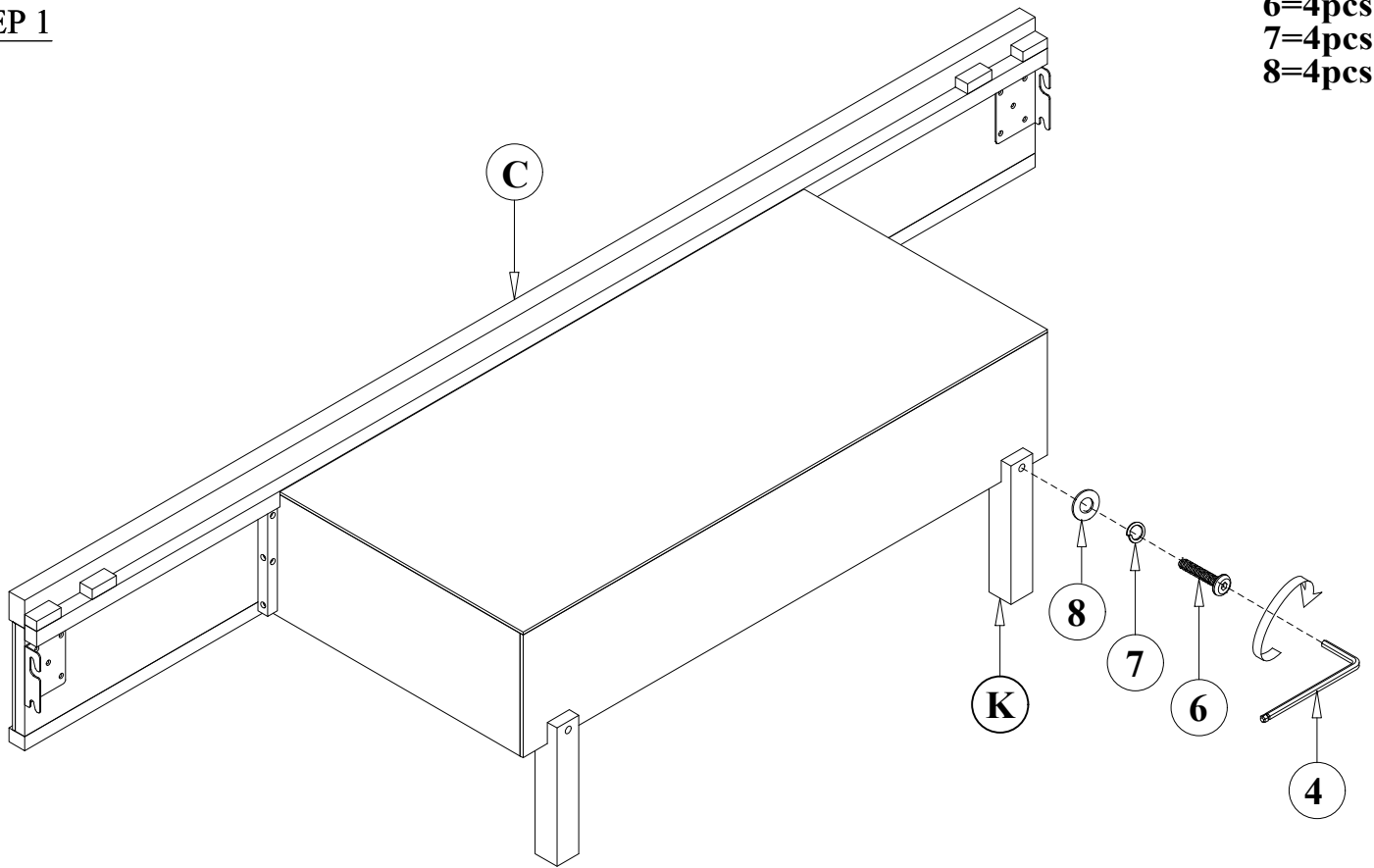
MUST: TIGHTEN SCREWS PERIODICALLY. WITH USE SCREW MAY ENCOME LOOSE CHECK TIGHTNESS OF ALL SCREWS EVERY 6-8 WEEKS.

CLEANING INSTRUCTIONS:

After assembly, clean and polish the completed parts if necessary with soft cloth and industrial recognized furniture polish.

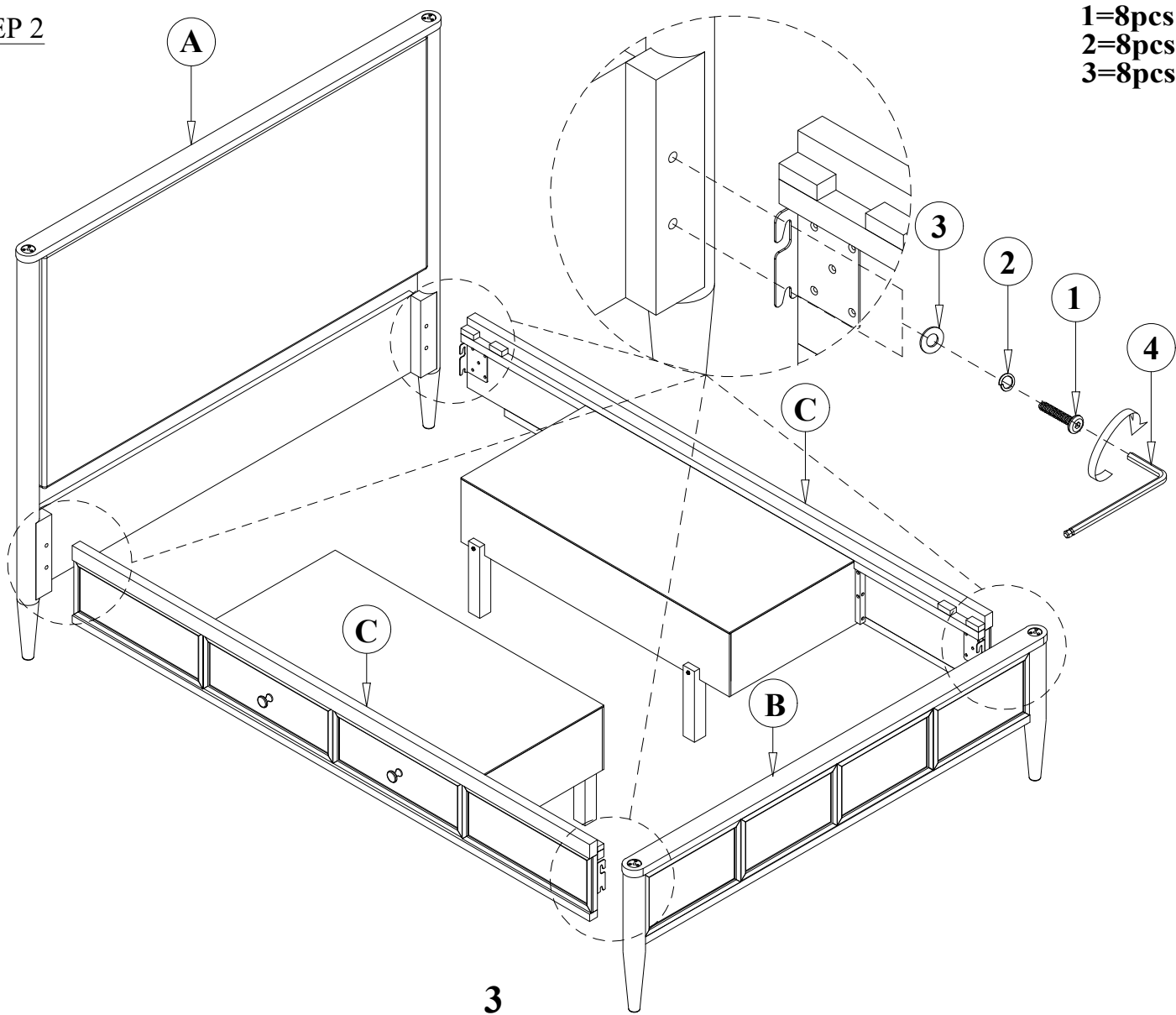
STEP 1

6=4pcs
7=4pcs
8=4pcs

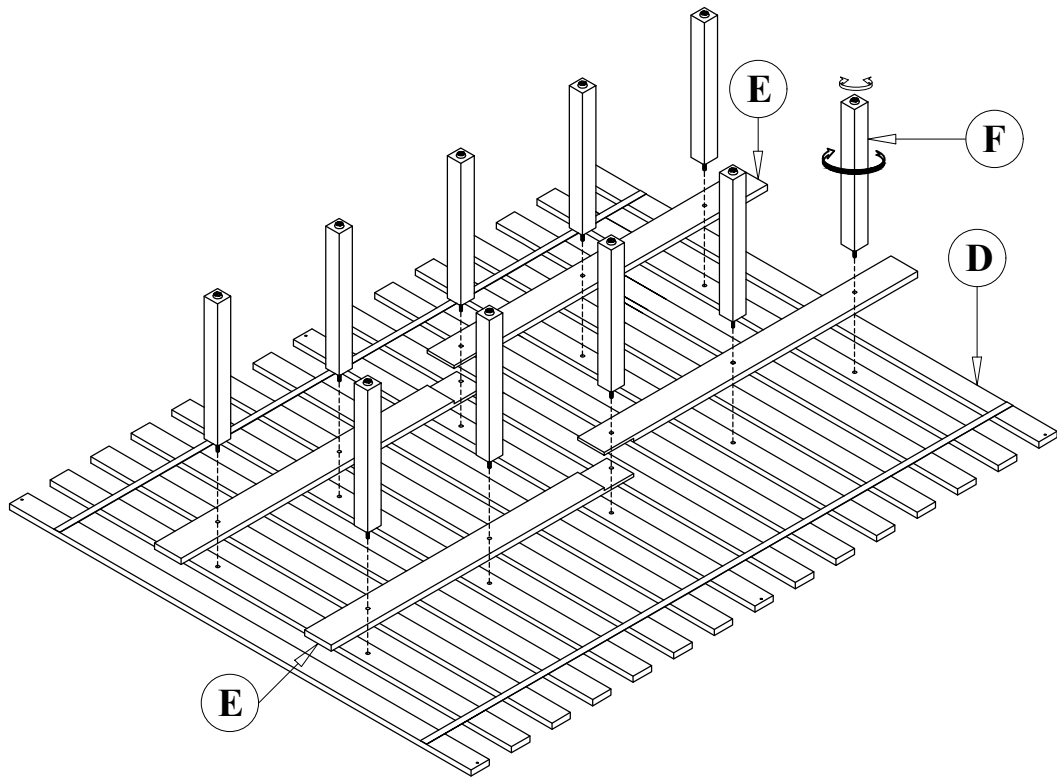


STEP 2

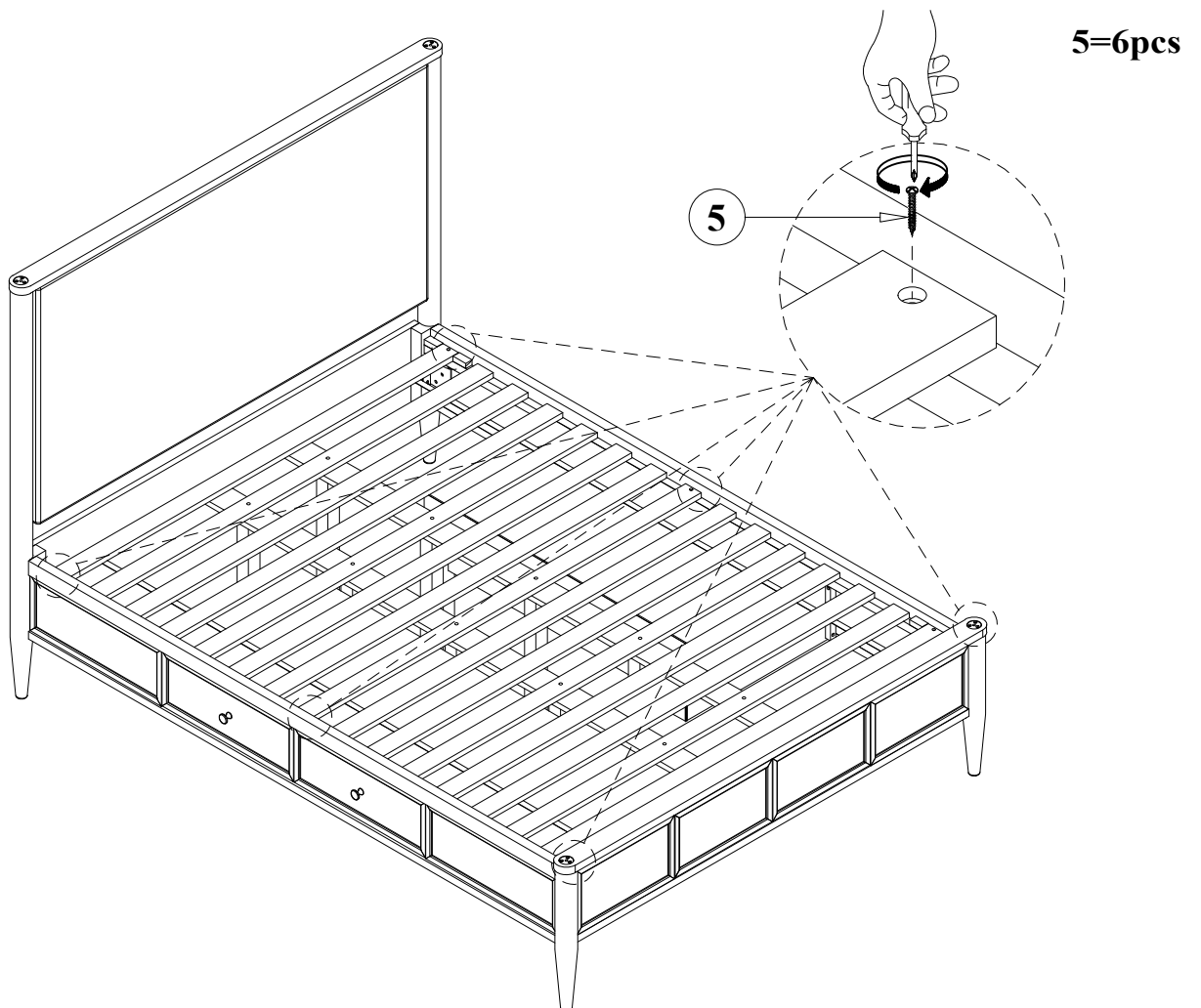
1=8pcs
2=8pcs
3=8pcs



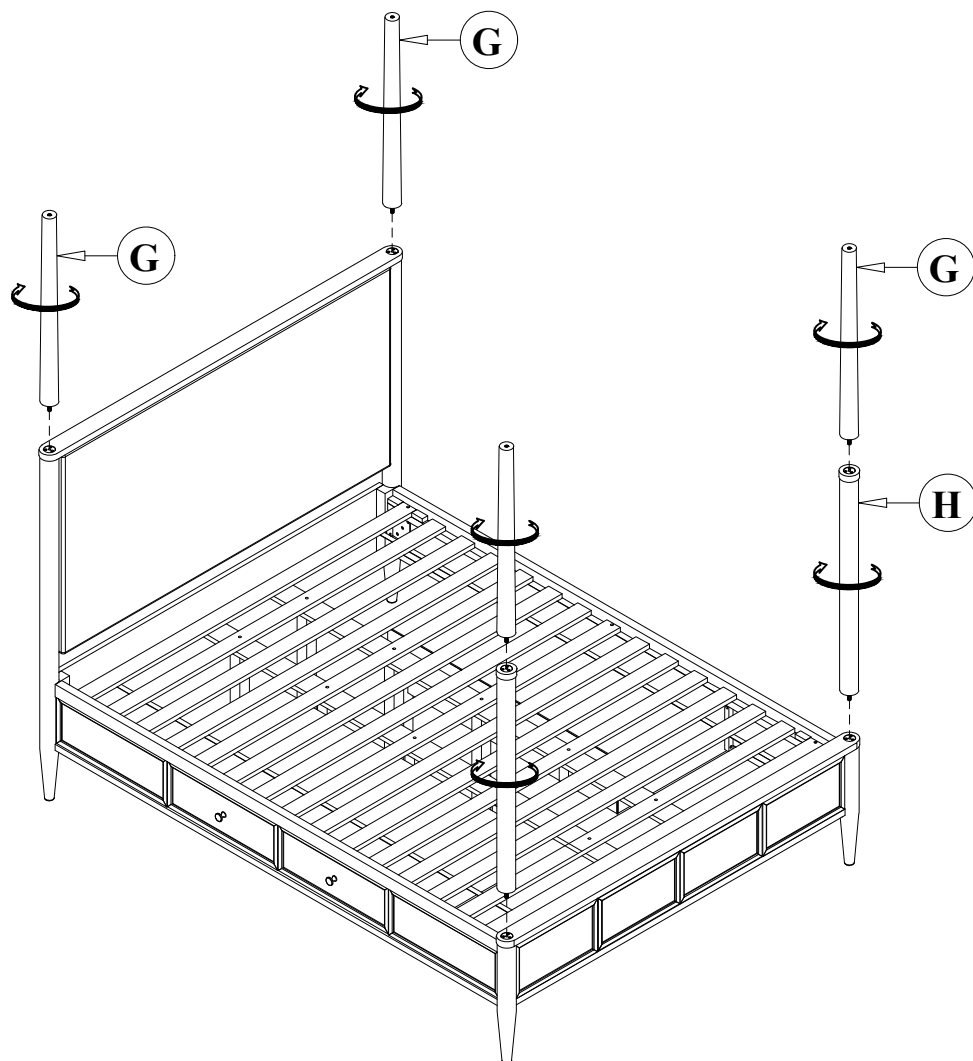
STEP 3



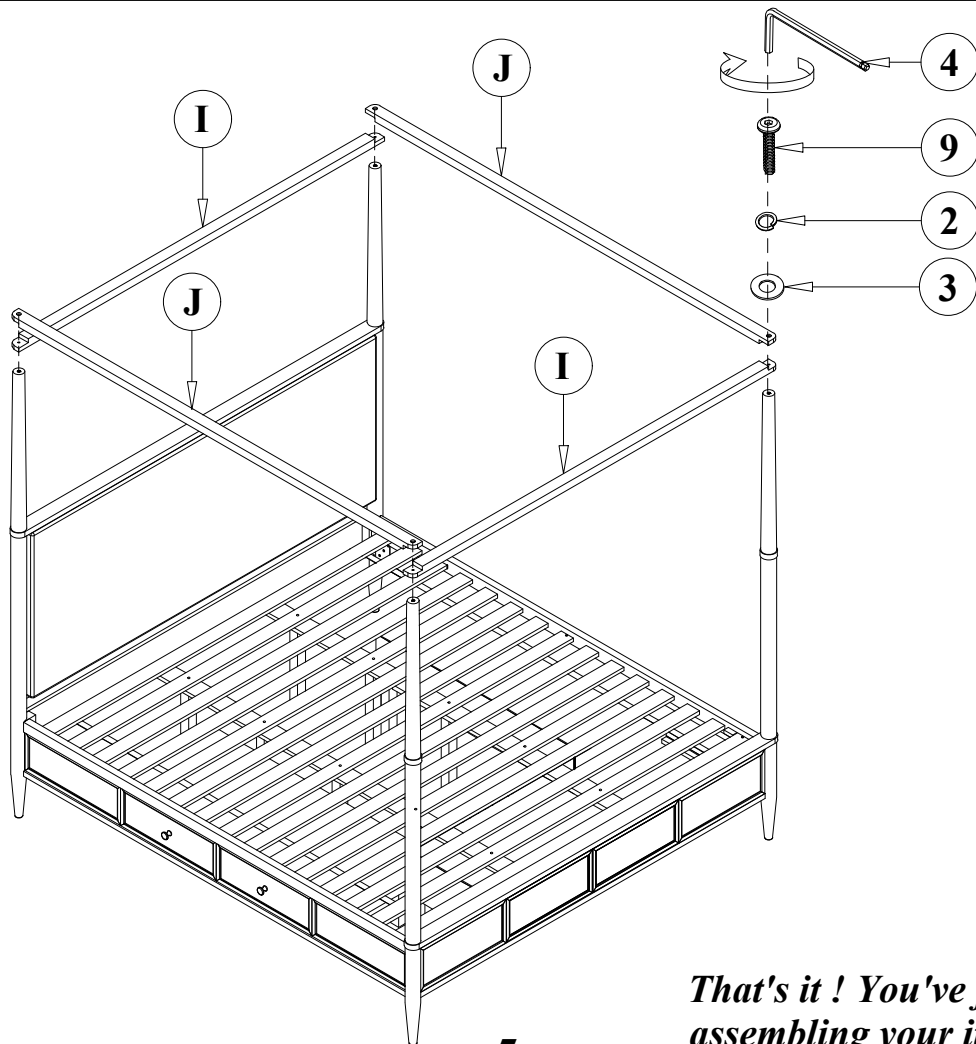
STEP 4



STEP 5



STEP 6



9=4pcs
2=4pcs
3=4pcs

That's it ! You've finished assembling your item. Thank you!