



LIVING SPACES

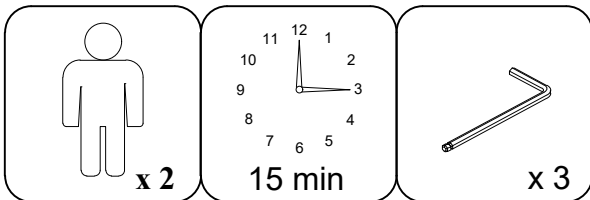
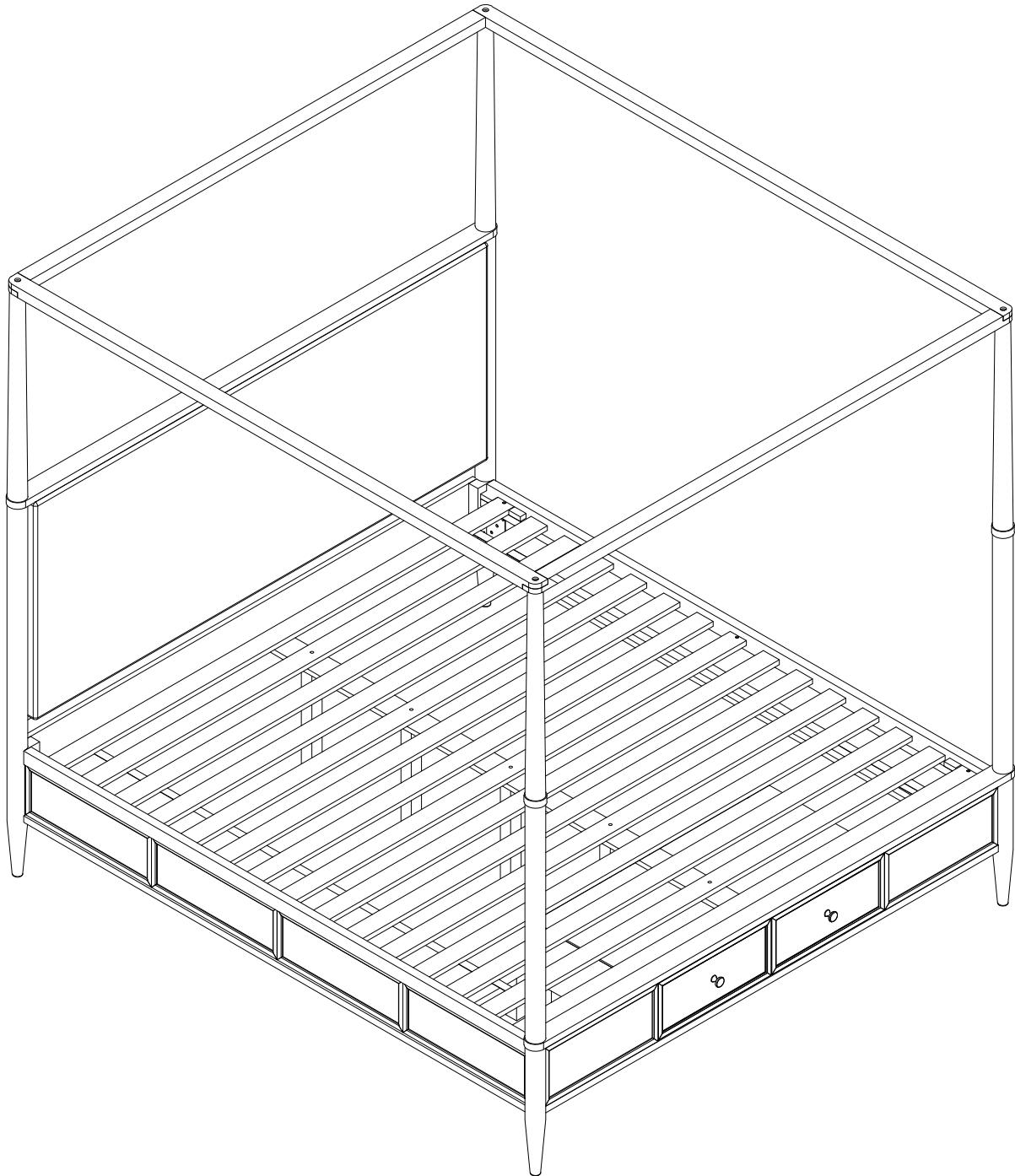
# ASSEMBLY INSTRUCTIONS


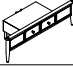

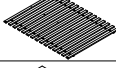

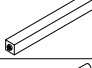
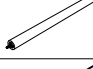
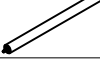
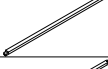

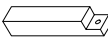
**AUSTEN QUEEN CANOPY UPH BED W/  
FOOTBOARD STORAGE**

SKU:318039/318041/318057/318042

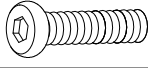
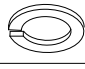


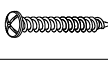
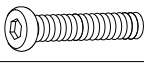
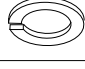
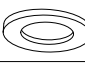
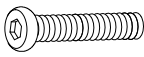
**AUSTEN QUEEN CANOPY PANEL BED W/  
FOOTBOARD STORAGE**

SKU:337950/318041/318057/318042



PART	SKU#	IMAGE	DESCRIPTION	QTY
(A)	318039/337950		Head Board	1
(B)	318041		Storage Foot Board	1
(C)	318057		Side Rail	2
(D)	318041		Slat	1 set
(E)	318041		Middle Support Bar	2
(F)	318041		Support With Leveler	5
(G)	318039/318041		Head Board/Foot Board Posts canopy	4
(H)	318041		Foot Board Posts canopy	2
(I)	318042		Head Board/Foot Board canopy	2
(J)	318042		Lift/Right canopy rail	2
(K)	318041		Foot Board back leg	2

### Hardware List

PART	SKU#	IMAGE	DESCRIPTION	QTY
(1)	318057		Bolts 5/16" *25mm	8
(2)	318057/318042		Spring Washer 5/16" Dia	12
(3)	318057/318042		Flat Washer 5/16" * Dia	12
(4)	318041/318057/318042		Allen key	3
(5)	318041		Screw #8* 30mm	6
(6)	318041		Bolts 1/4" *38mm	2
(7)	318041		Spring Washer 1/4"*11mm	2
(8)	318041		Flat Washer 1/4" *19mm	2
(9)	318042		Bolts 5/16" *60mm	4

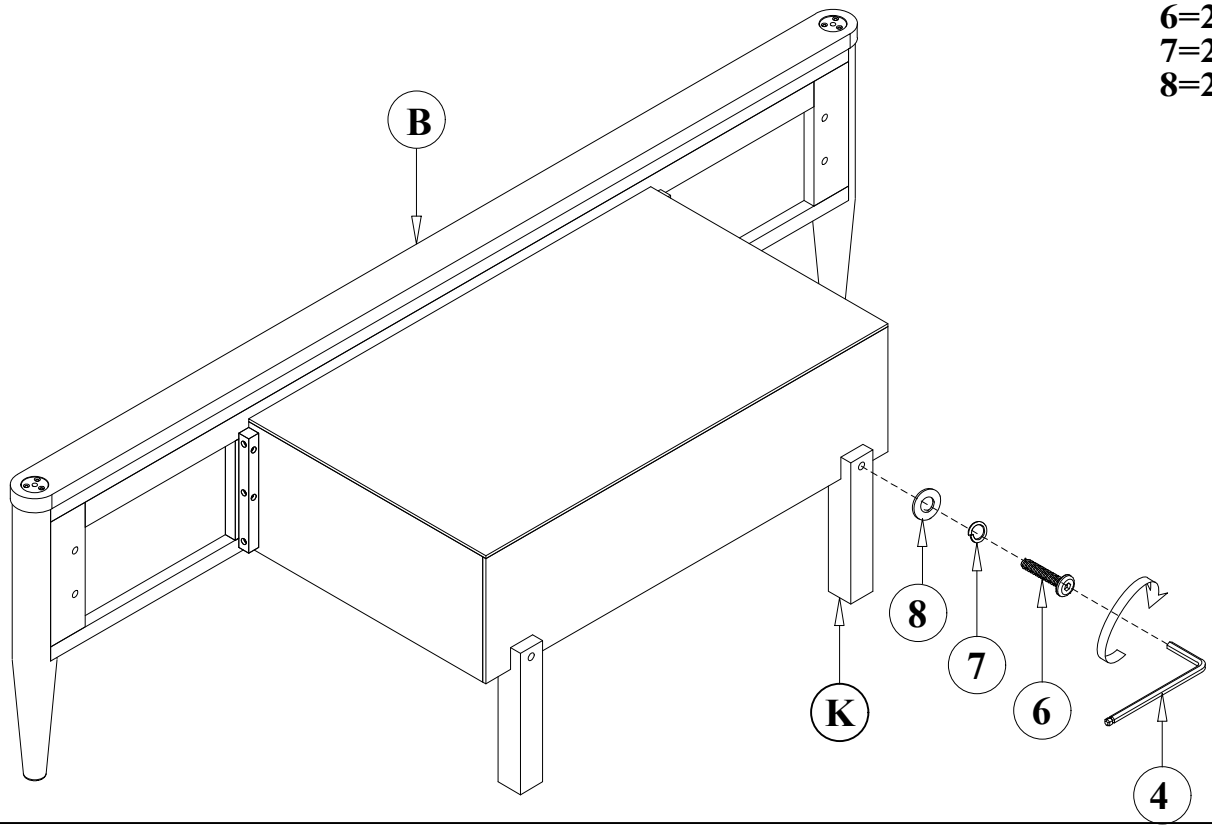
**THE HARDWARE IS LOCATED IN THE PACKING ITEM**

**MUST: TIGHTEN SCREWS PERIODIACLLY. WITH USE SCREW MAY ENCOME LOOSE CHECK TIGHTNESS OF ALL SCREWS EVERY 6-8 WEEKS.**

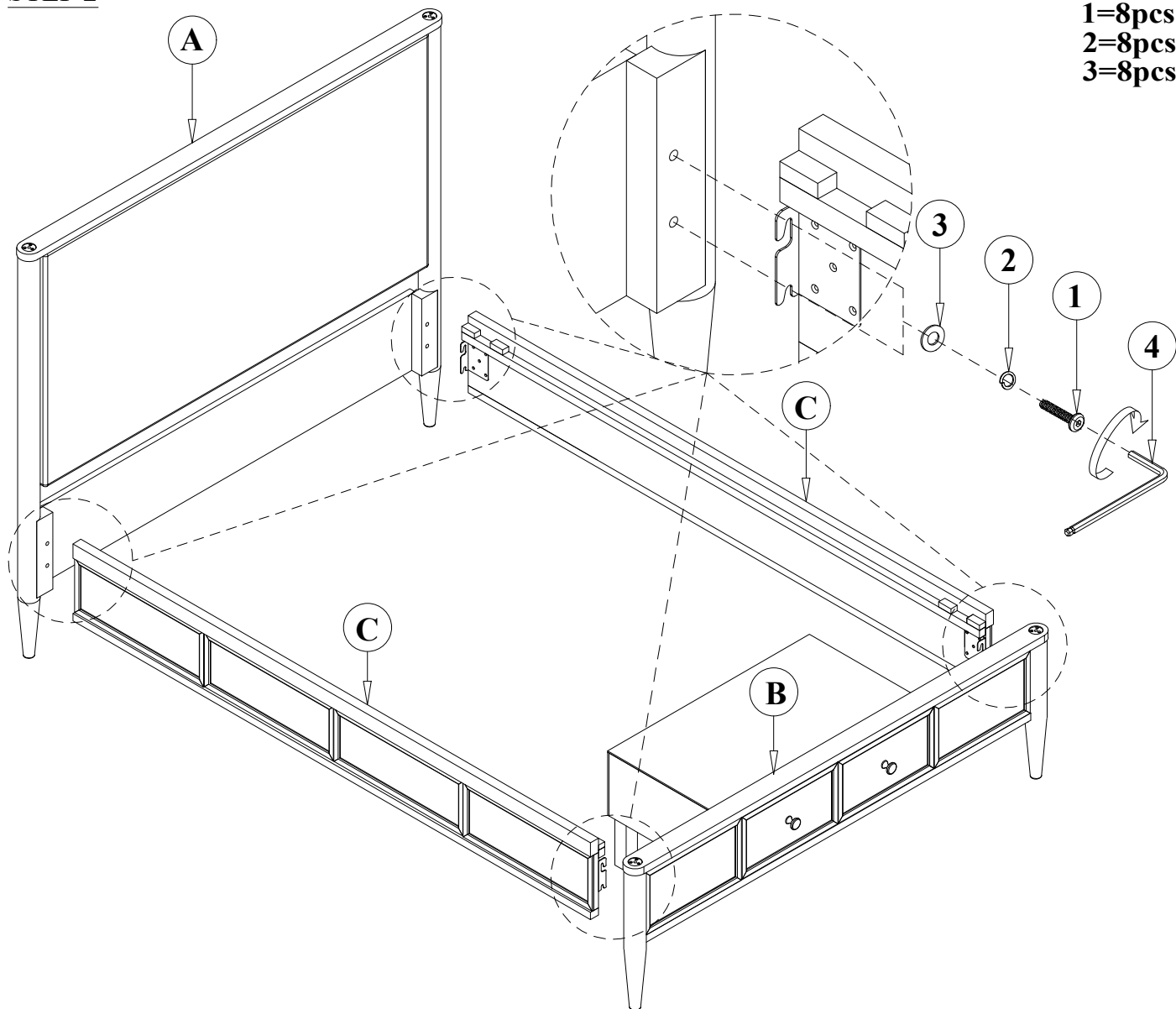
### CLEANING INSTRUCTIONS:

After assembly, clean and polish the completed parts if necessary with soft cloth and industrial recognized furniture polish.

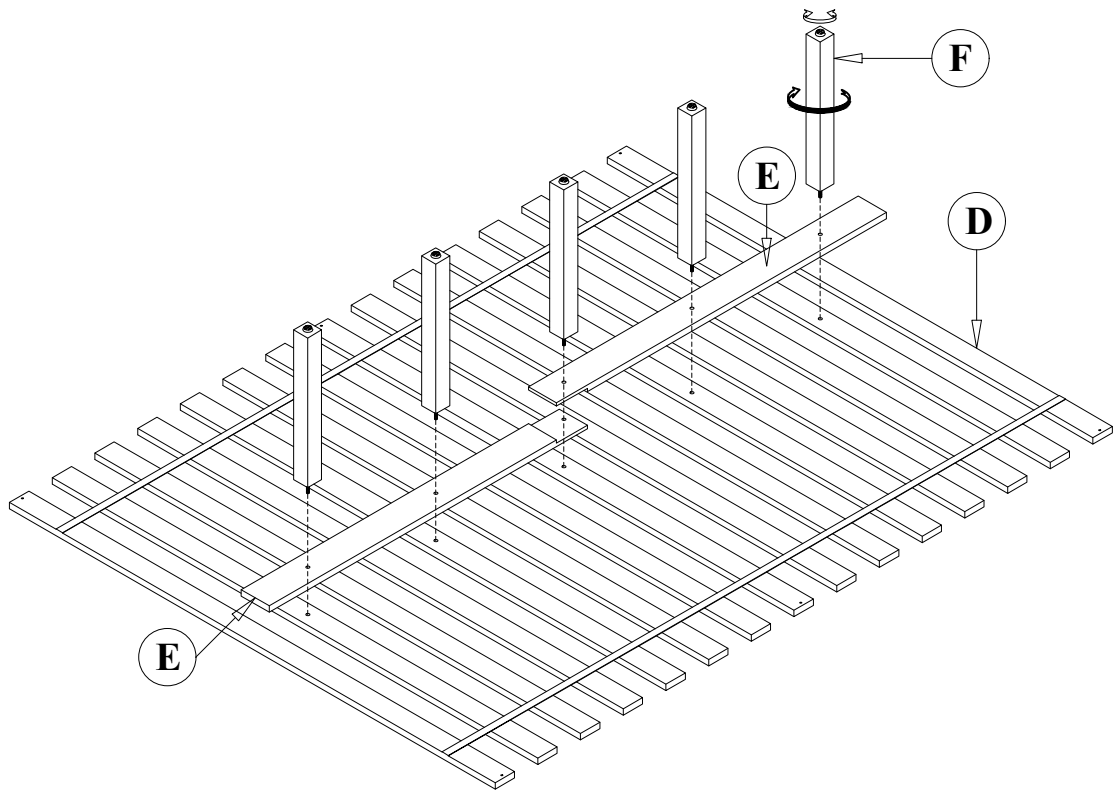
**STEP 1**



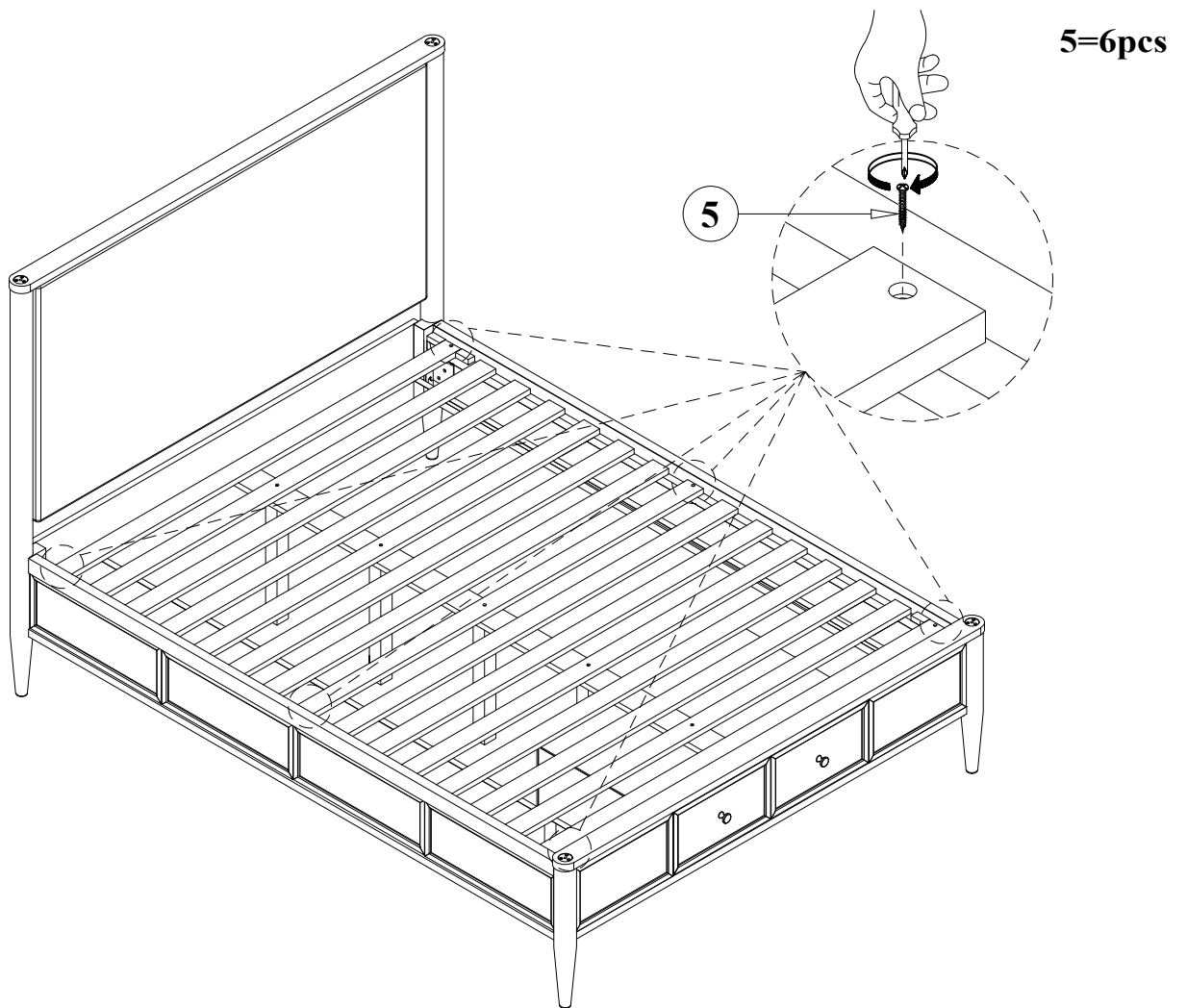
**STEP 2**



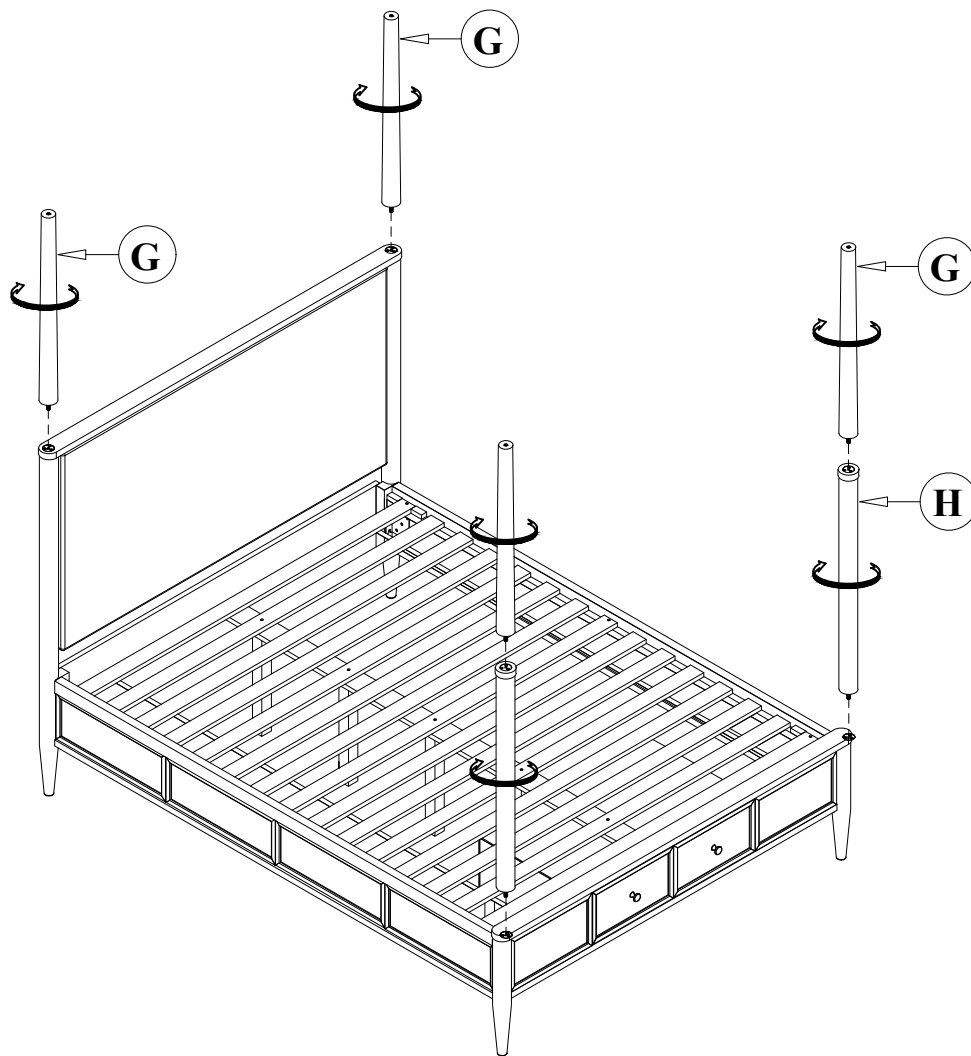
STEP 3



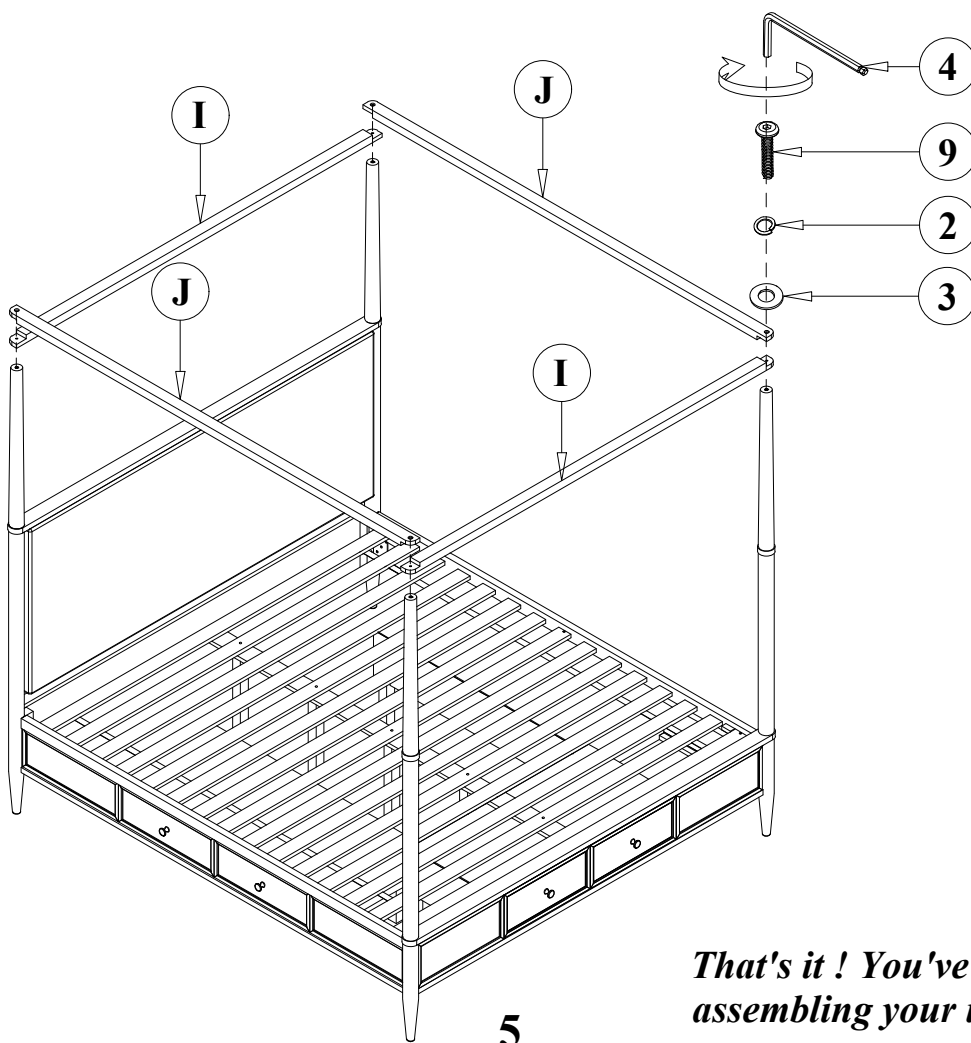
STEP 4



STEP 5



STEP 6



*That's it ! You've finished assembling your item. Thank you!*