



LIVING SPACES

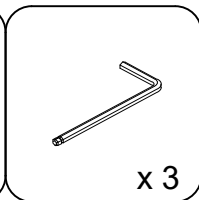
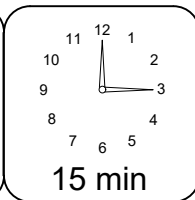
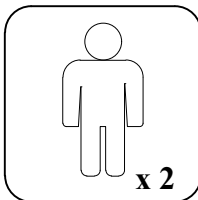
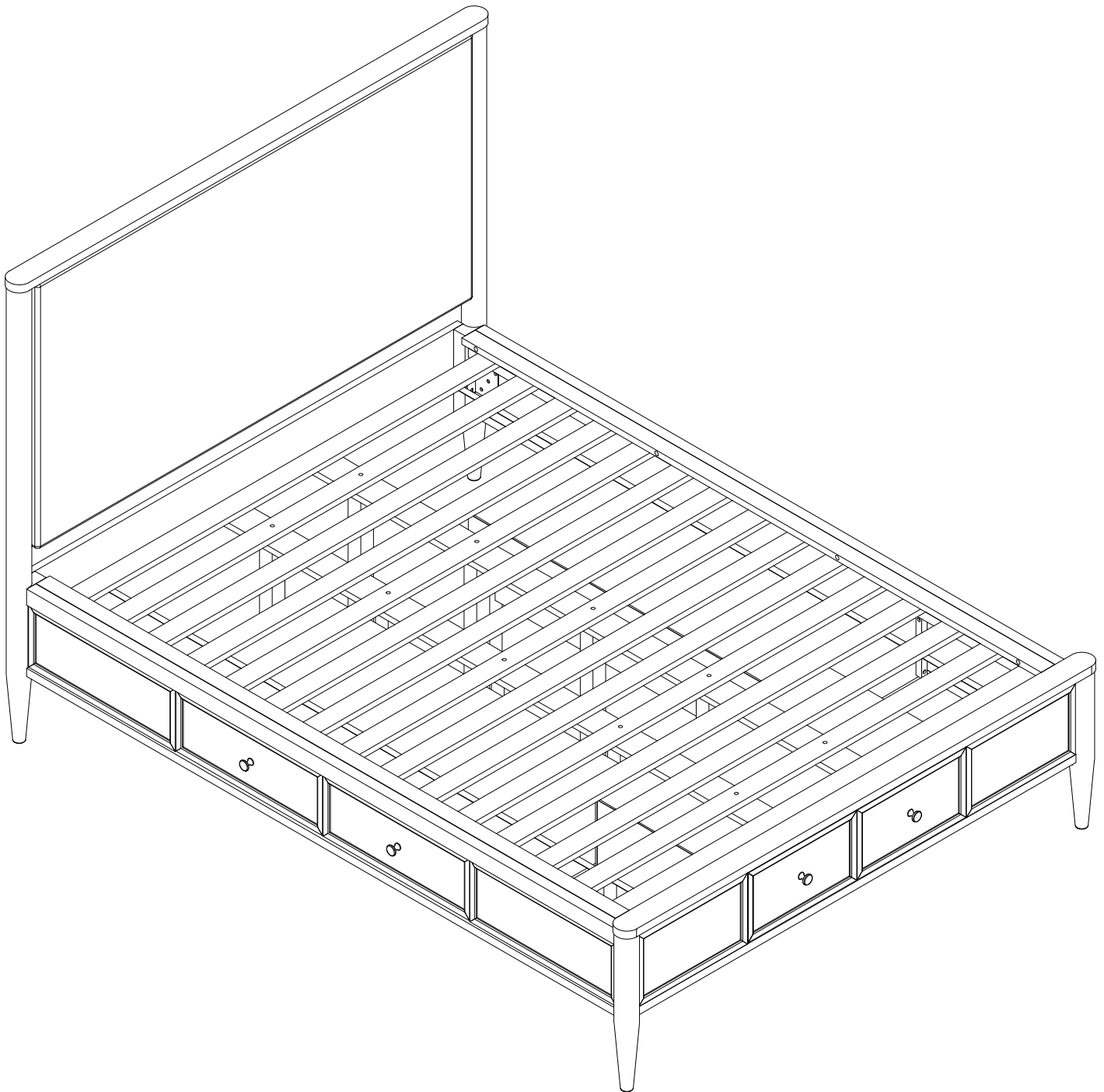
# ASSEMBLY INSTRUCTIONS

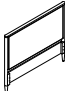
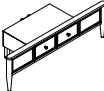
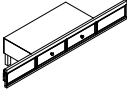
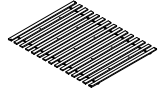
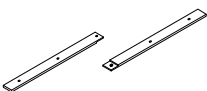
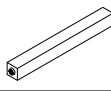
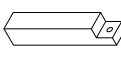

**AUSTEN CALIFORNIA KING UPH BED W/  
SIDE & FOOTBOARD STORAGE**

**SKU:318034/318025/318059**

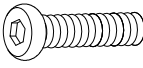


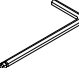
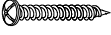
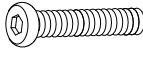
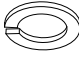
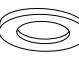
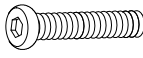
**AUSTEN CALIFORNIA KING PANEL BED W/  
SIDE & FOOTBOARD STORAGE**

**SKU:337945/318025/318059**



PART	SKU#	IMAGE	DESCRIPTION	QTY
(A)	318034/337945		Head Board	1
(B)	318025		Storage Foot Board	1
(C)	318059		Storage Side Rail	2
(D)	318025		Slat	1 set
(E)	318025		Middle Support Bar	4
(F)	318025		Support With Leveler	10
(G)	318025/318059		Foot Board, Side Rail back leg	6
(H)	318059		Cap Rail	2

#### Hardware List

PART	SKU#	IMAGE	DESCRIPTION	QTY
(1)	318059		Bolts 5/16" *25mm	8
(2)	318059		Spring Washer 5/16" Dia	8
(3)	318059		Flat Washer 5/16" * Dia	8
(4)	318025/318059		Allen key	3
(5)	318025		Screw #8* 30mm	6
(6)	318025/318059		Bolts 1/4" *38mm	6
(7)	318025/318059		Spring Washer 1/4"*11mm	6
(8)	318025/318059		Flat Washer 1/4" *19mm	6
(9)	318059		Bolts 1/4" *45mm	8

**THE HARDWARE IS LOCATED IN THE PACKING ITEM**

**MUST: TIGHTEN SCREWS PERIODICALLY. WITH USE SCREW MAY ENCOME LOOSE CHECK TIGHTNESS OF ALL SCREWS EVERY 6-8 WEEKS.**

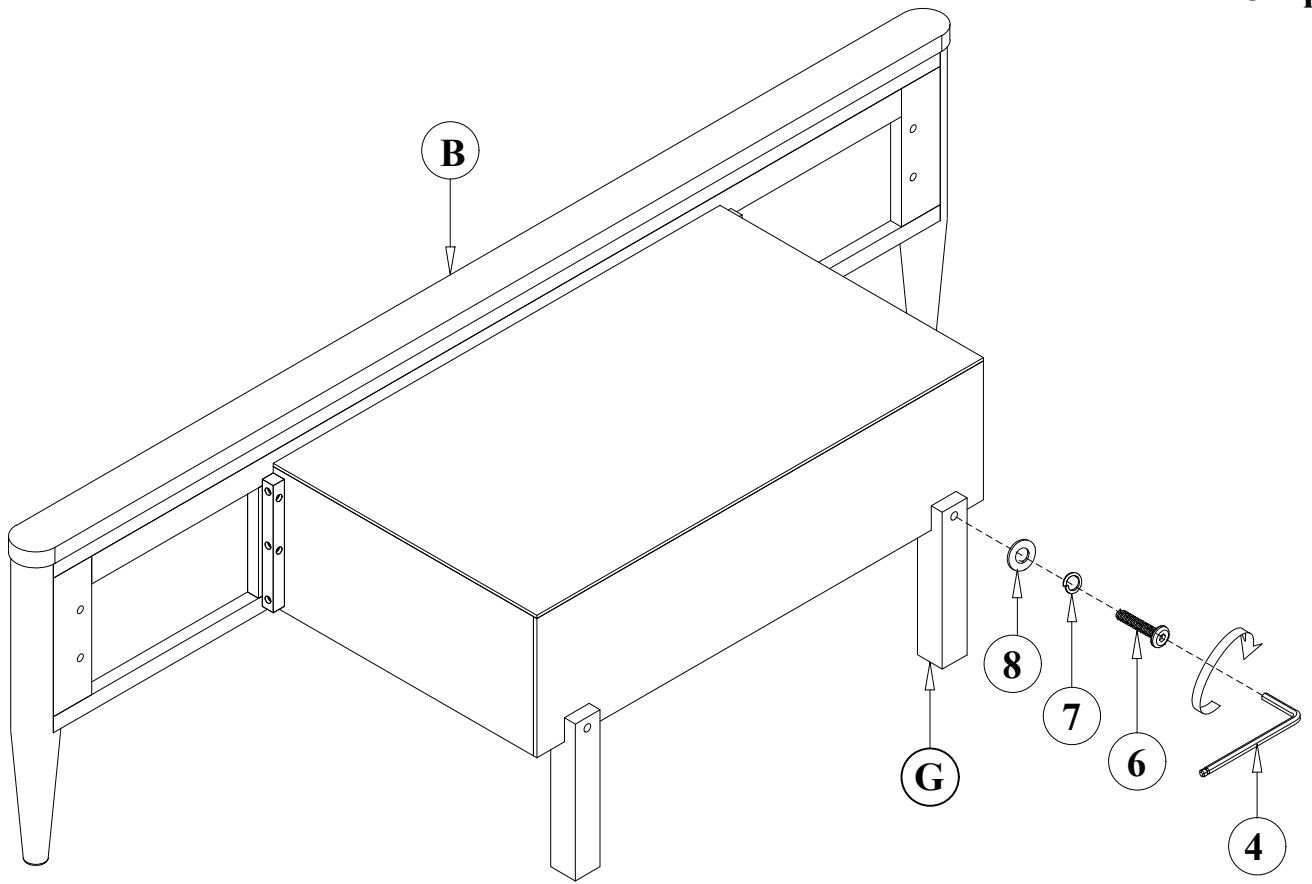
#### CLEANING INSTRUCTIONS:

**After assembly, clean and polish the completed parts if necessary with soft cloth and industrial recognized furniture polish.**

STEP 1

**B**

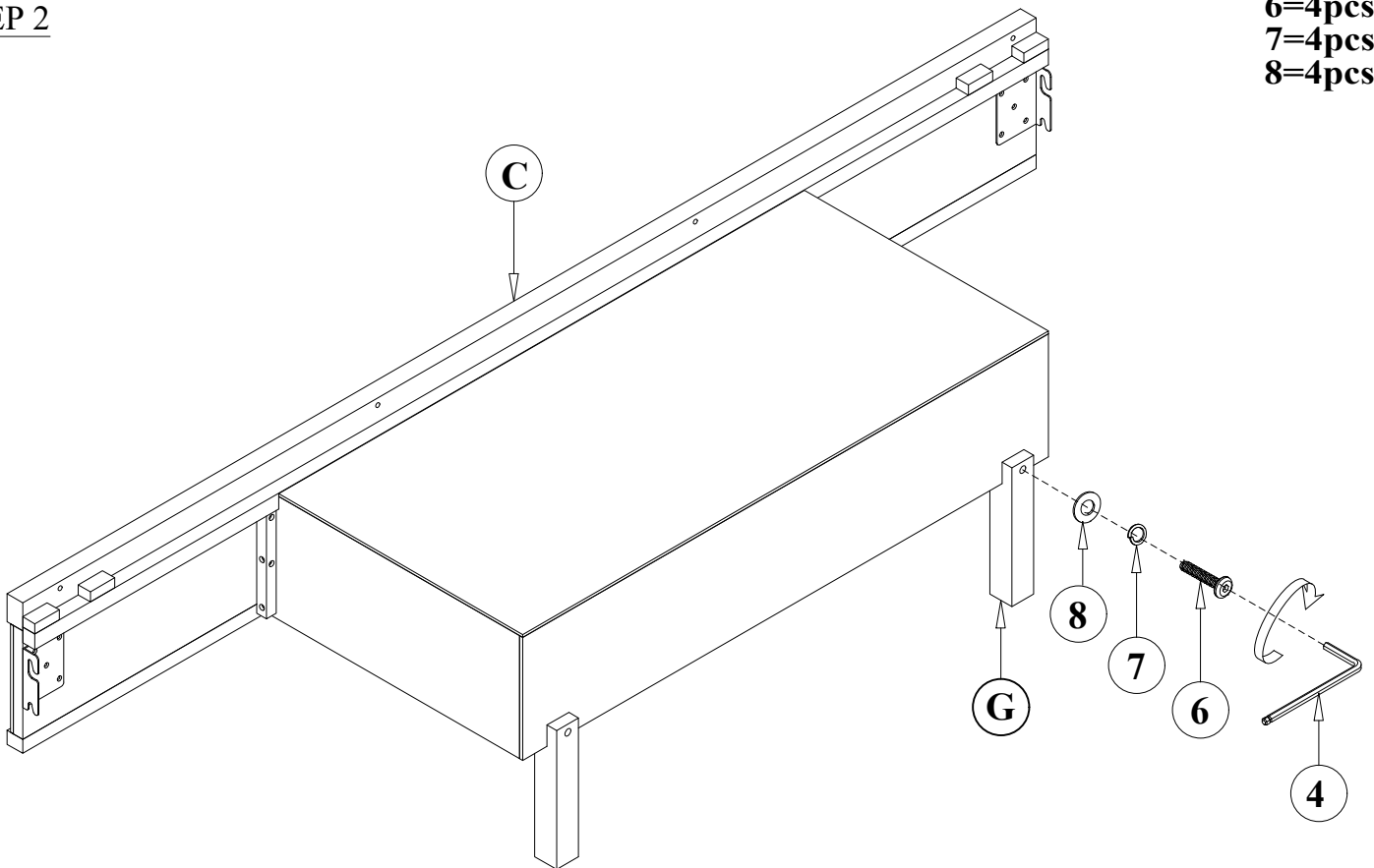
**6=2pcs**  
**7=2pcs**  
**8=2pcs**



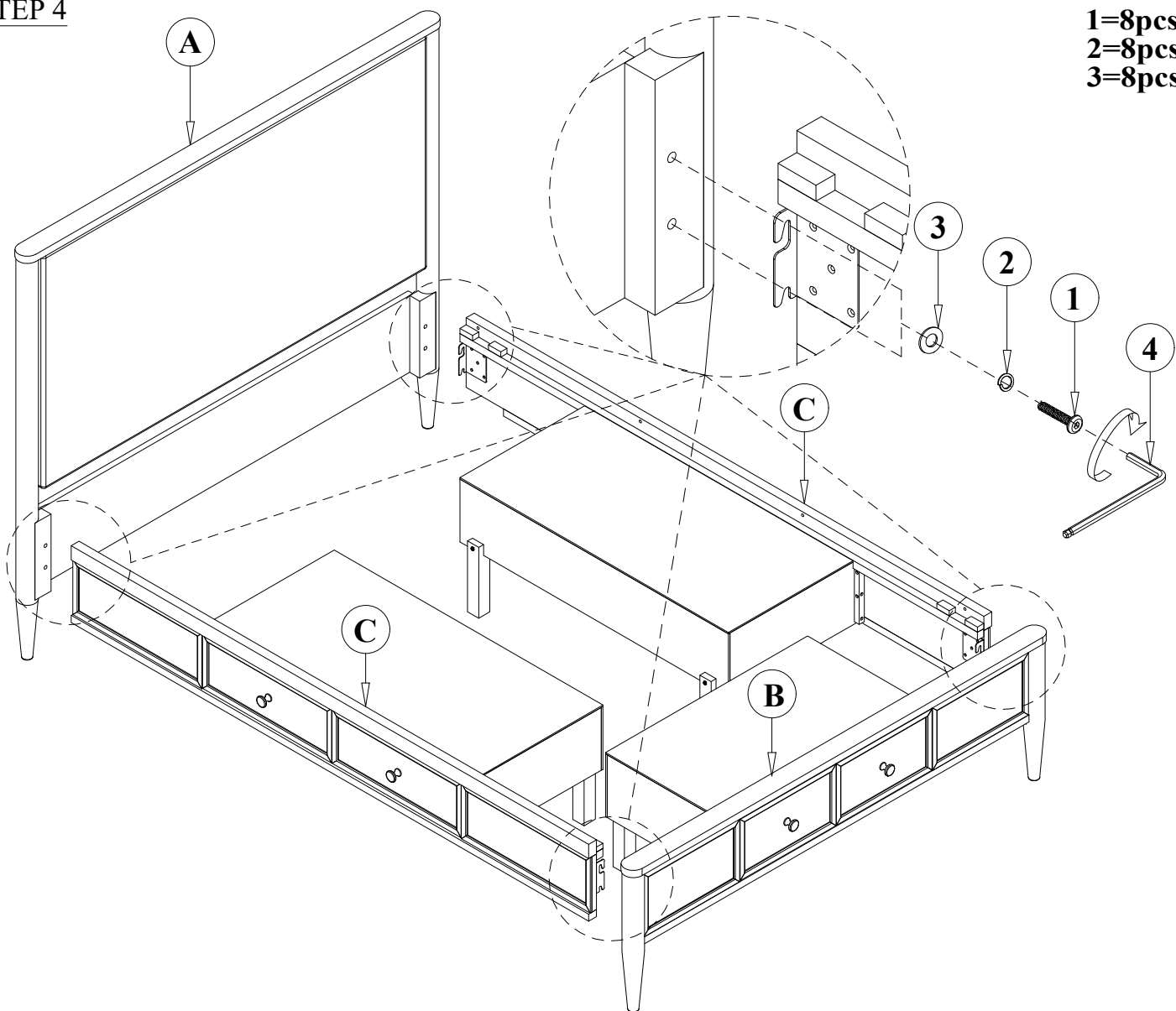
STEP 2

**C**

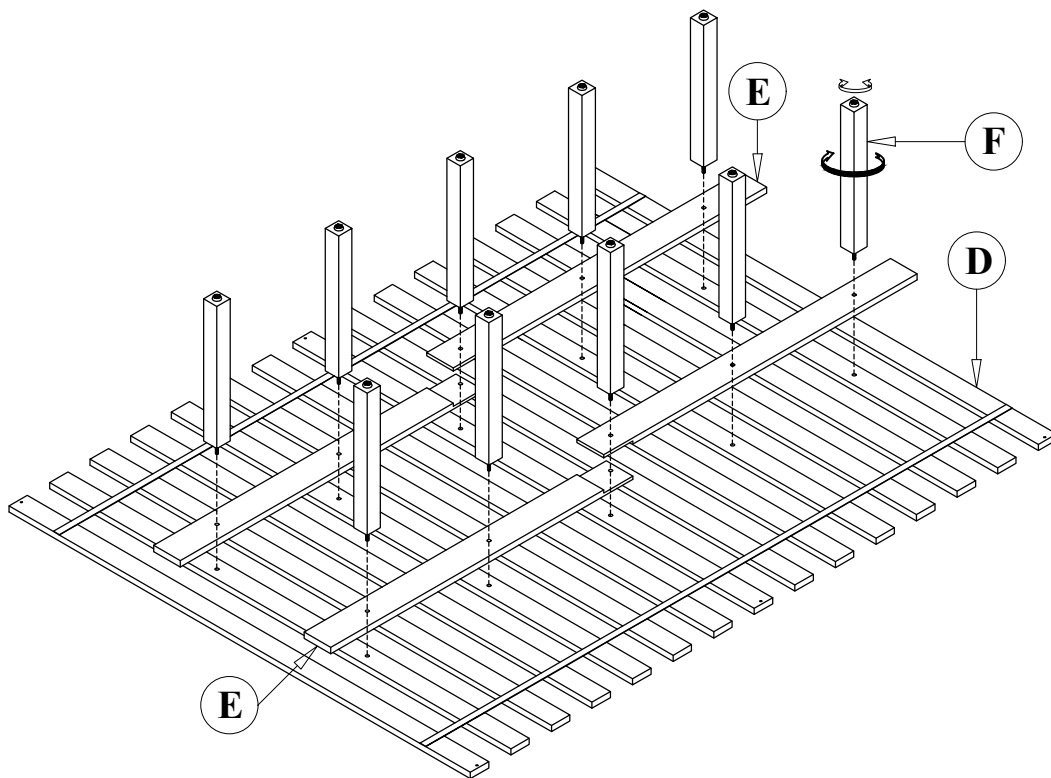
**6=4pcs**  
**7=4pcs**  
**8=4pcs**



**STEP 4**

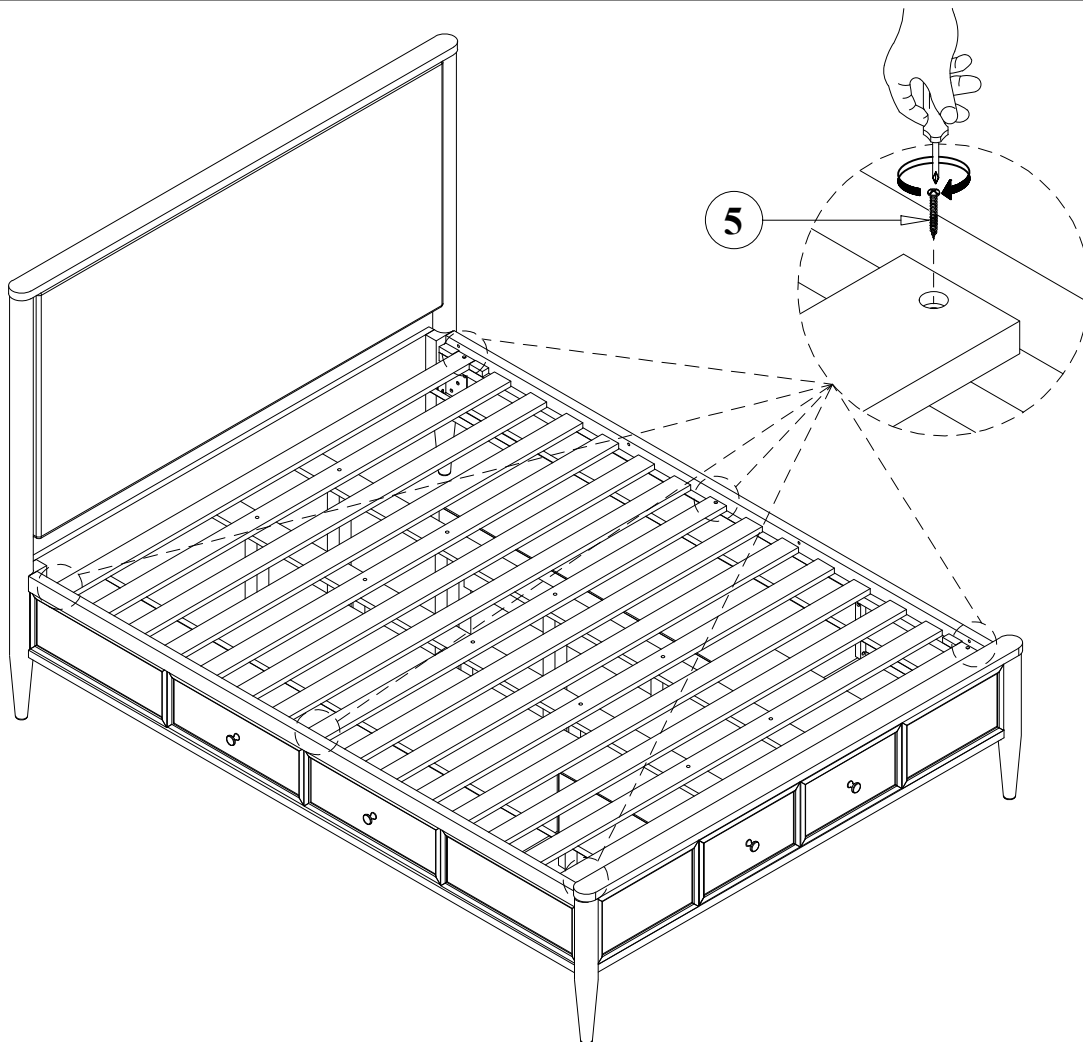


**STEP 5**



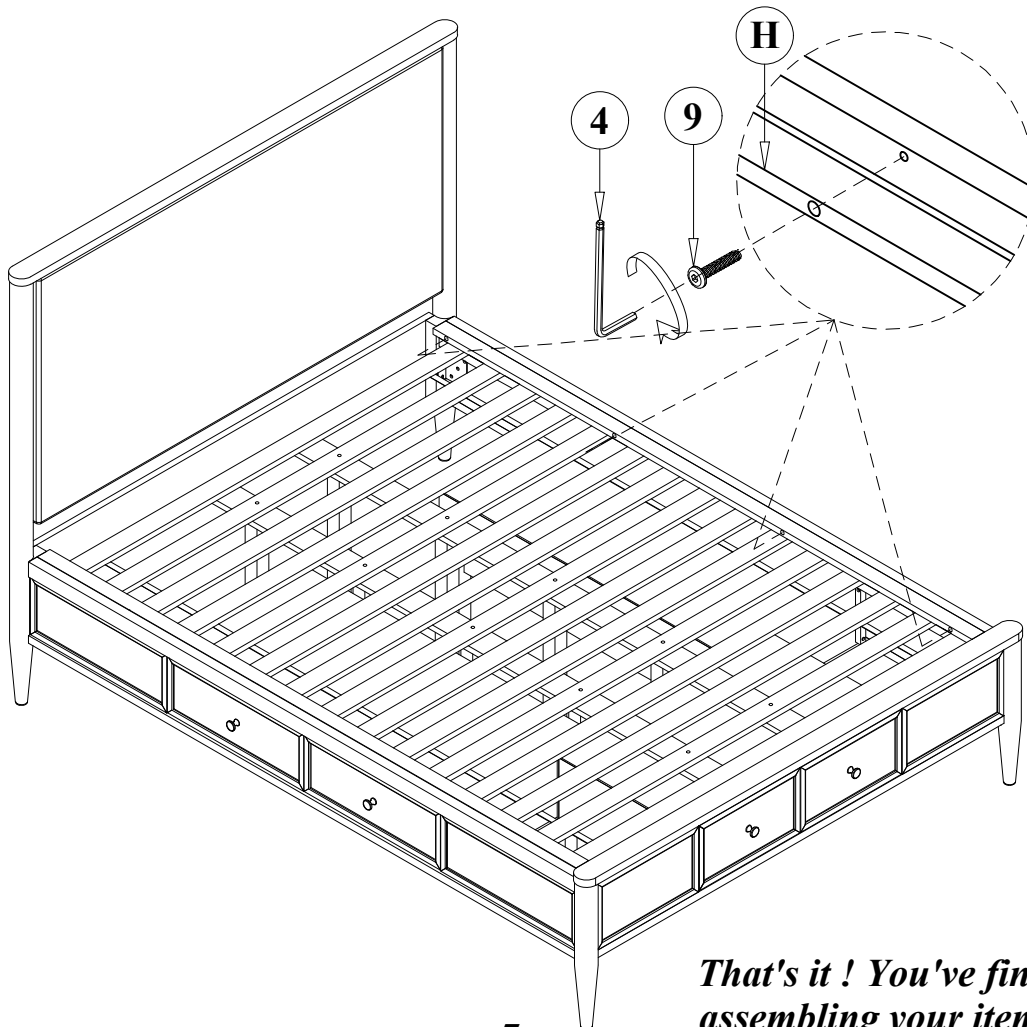
STEP 6

5=6pcs



STEP 7

9=8pcs



5

*That's it ! You've finished assembling your item. Thank you!*