



LIVING SPACES

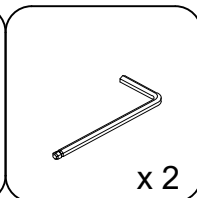
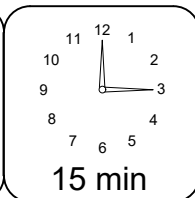
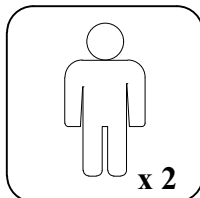
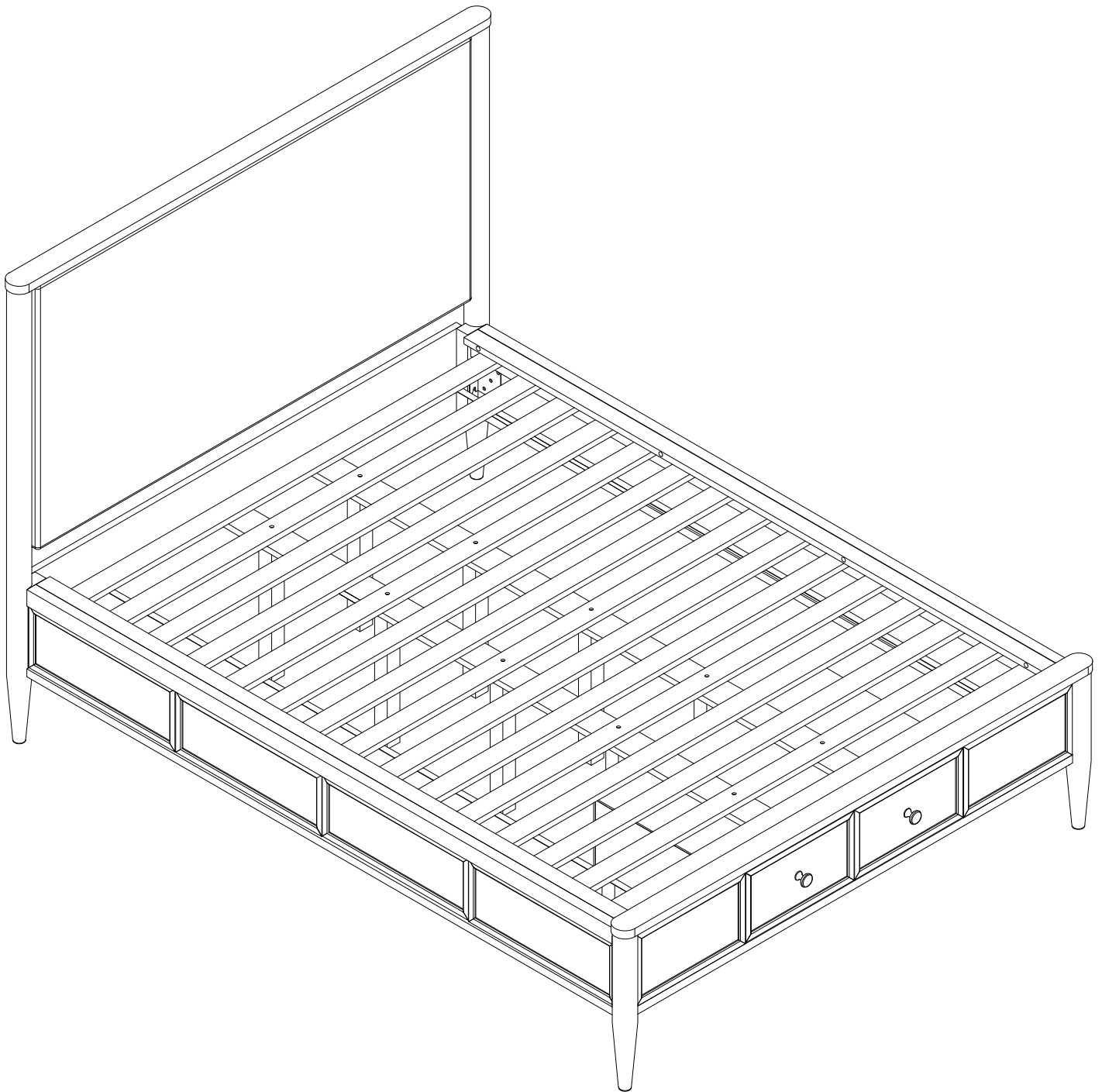
ASSEMBLY INSTRUCTIONS

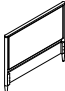
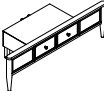
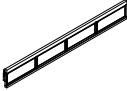
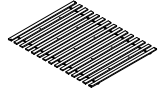
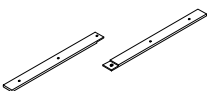
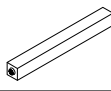
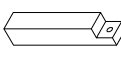

**AUSTEN CALIFORNIA KING UPH BED W/
FOOTBOARD STORAGE**

SKU:318034/318025/318058

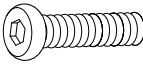




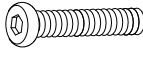
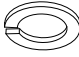
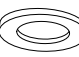
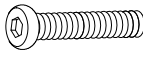
**AUSTEN CALIFORNIA KING PANEL BED W/
FOOTBOARD STORAGE**

SKU:337945/318025/318058



PART	SKU#	IMAGE	DESCRIPTION	QTY
(A)	318034/337945		Head Board	1
(B)	318025		Storage Foot Board	1
(C)	318058		Side Rail	2
(D)	318025		Slat	1 set
(E)	318025		Middle Support Bar	4
(F)	318025		Support With Leveler	10
(G)	318025		Foot Board back leg	2
(H)	318058		Cap Rail	2

Hardware List

PART	SKU#	IMAGE	DESCRIPTION	QTY
(1)	318058		Bolts 5/16" *25mm	8
(2)	318058		Spring Washer 5/16" Dia	8
(3)	318058		Flat Washer 5/16" * Dia	8
(4)	318025/318058		Allen key	2
(5)	318025		Screw #8* 30mm	6
(6)	318025		Bolts 1/4" *38mm	2
(7)	318025		Spring Washer 1/4"*11mm	2
(8)	318025		Flat Washer 1/4" *19mm	2
(9)	318058		Bolts 1/4" *45mm	8

THE HARDWARE IS LOCATED IN THE PACKING ITEM

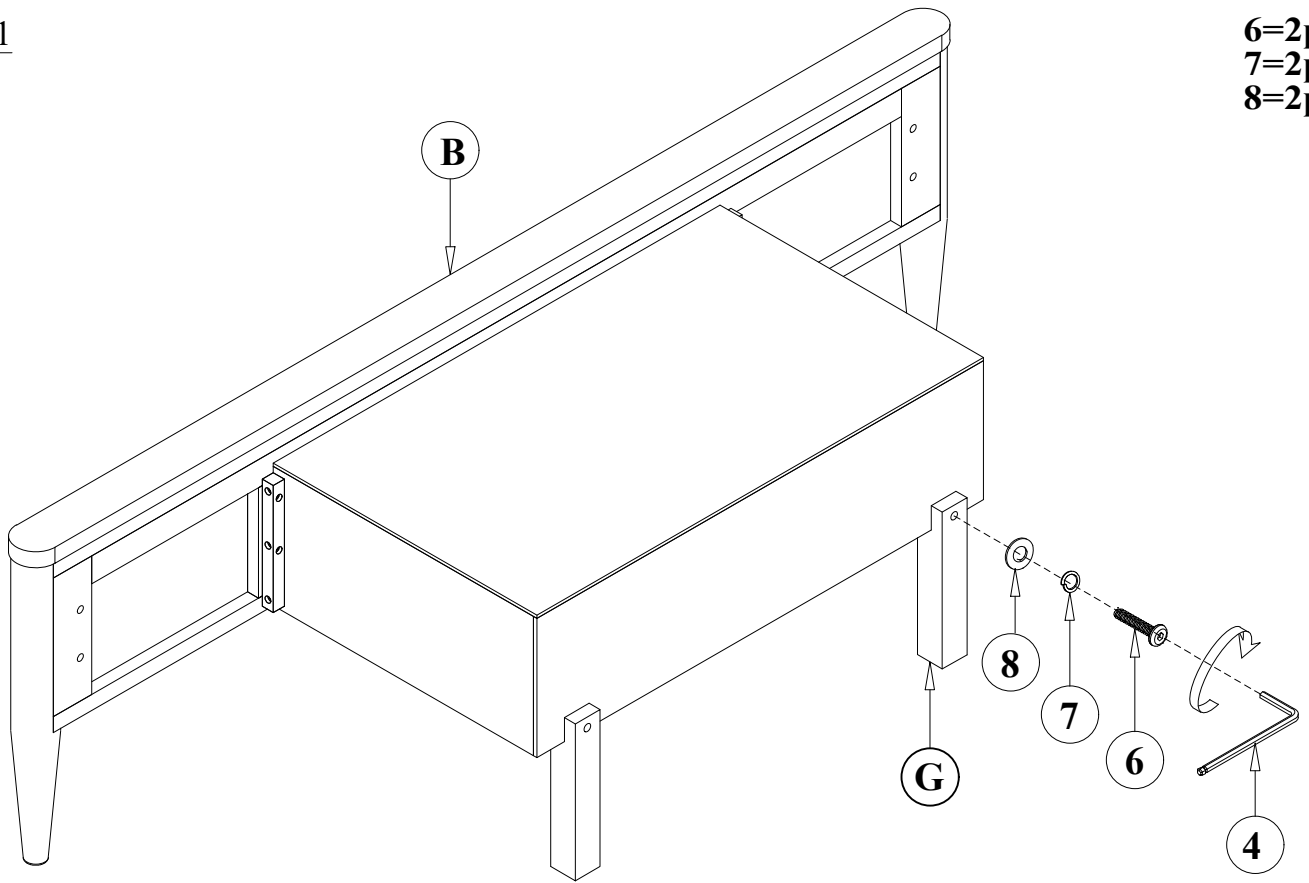
MUST: TIGHTEN SCREWS PERIODICALLY. WITH USE SCREW MAY ENCOME LOOSE CHECK TIGHTNESS OF ALL SCREWS EVERY 6-8 WEEKS.

CLEANING INSTRUCTIONS:

After assembly, clean and polish the completed parts if necessary with soft cloth and industrial recognized furniture polish.

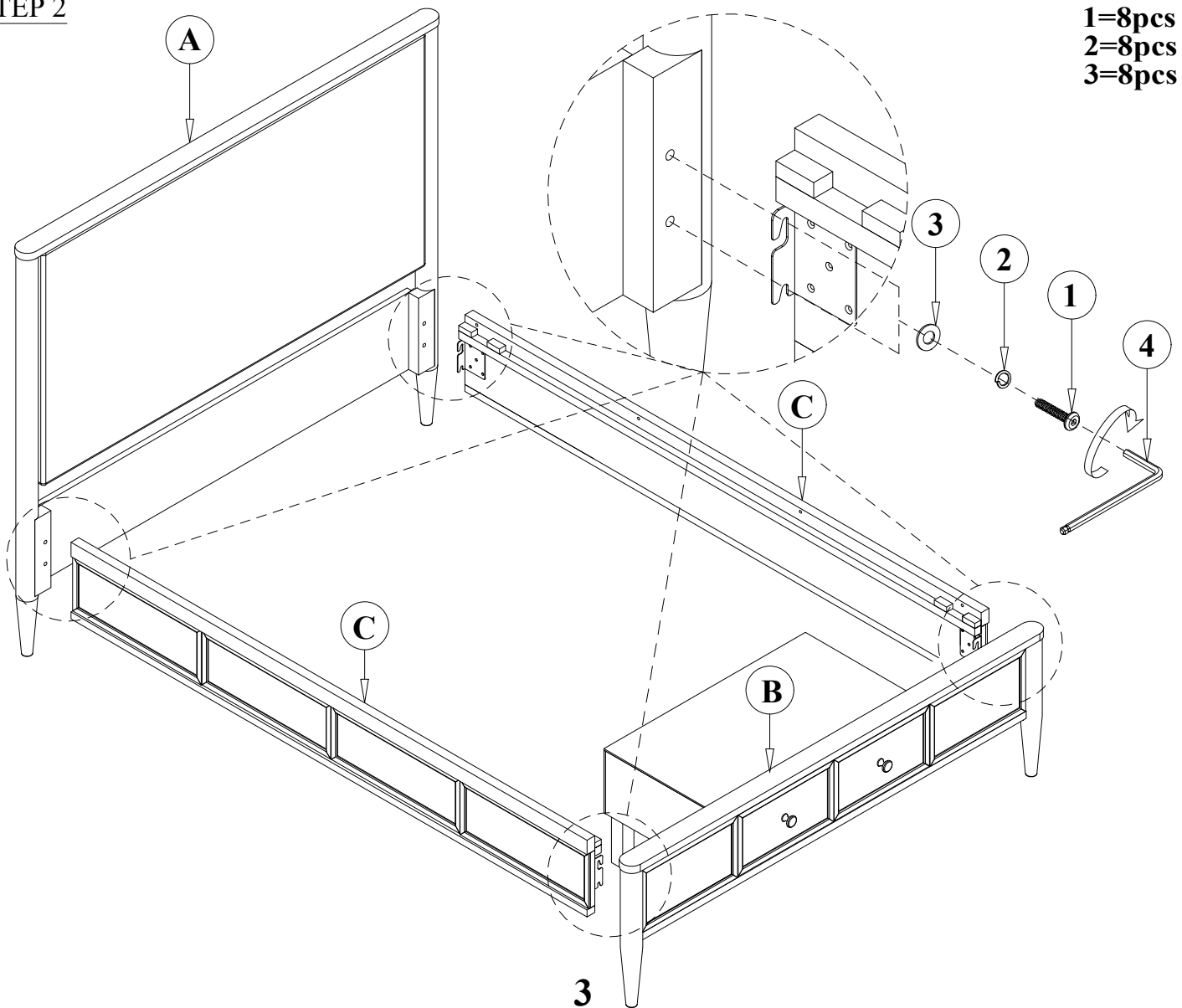
STEP 1

6=2pcs
7=2pcs
8=2pcs

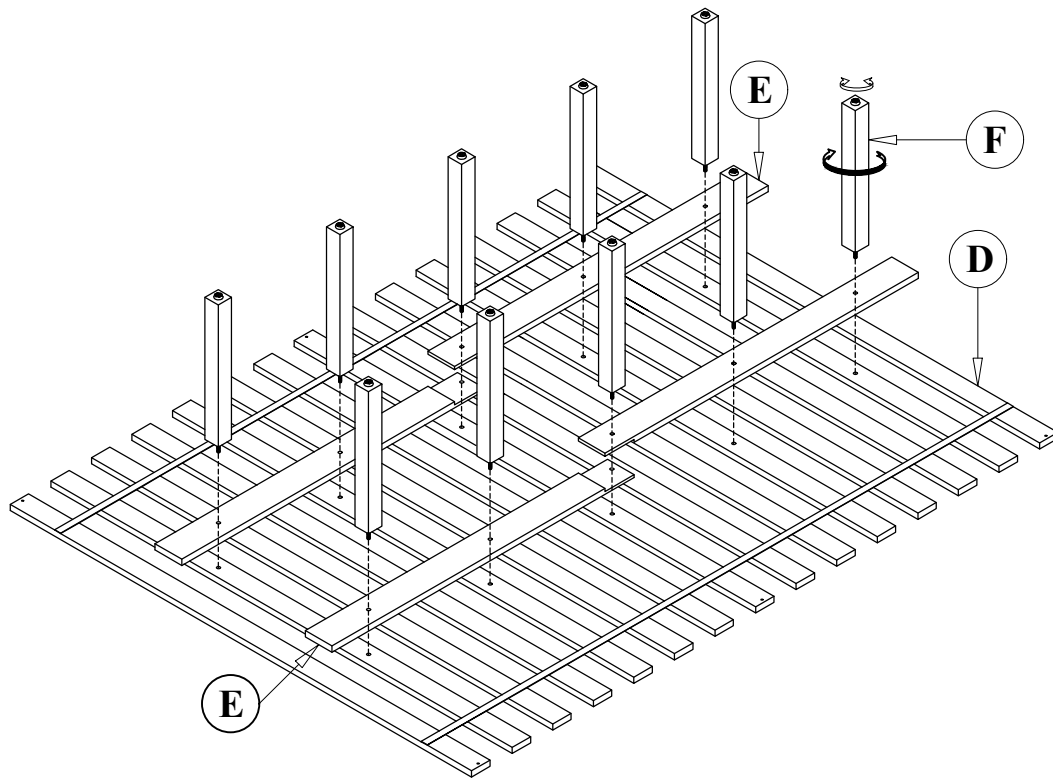


STEP 2

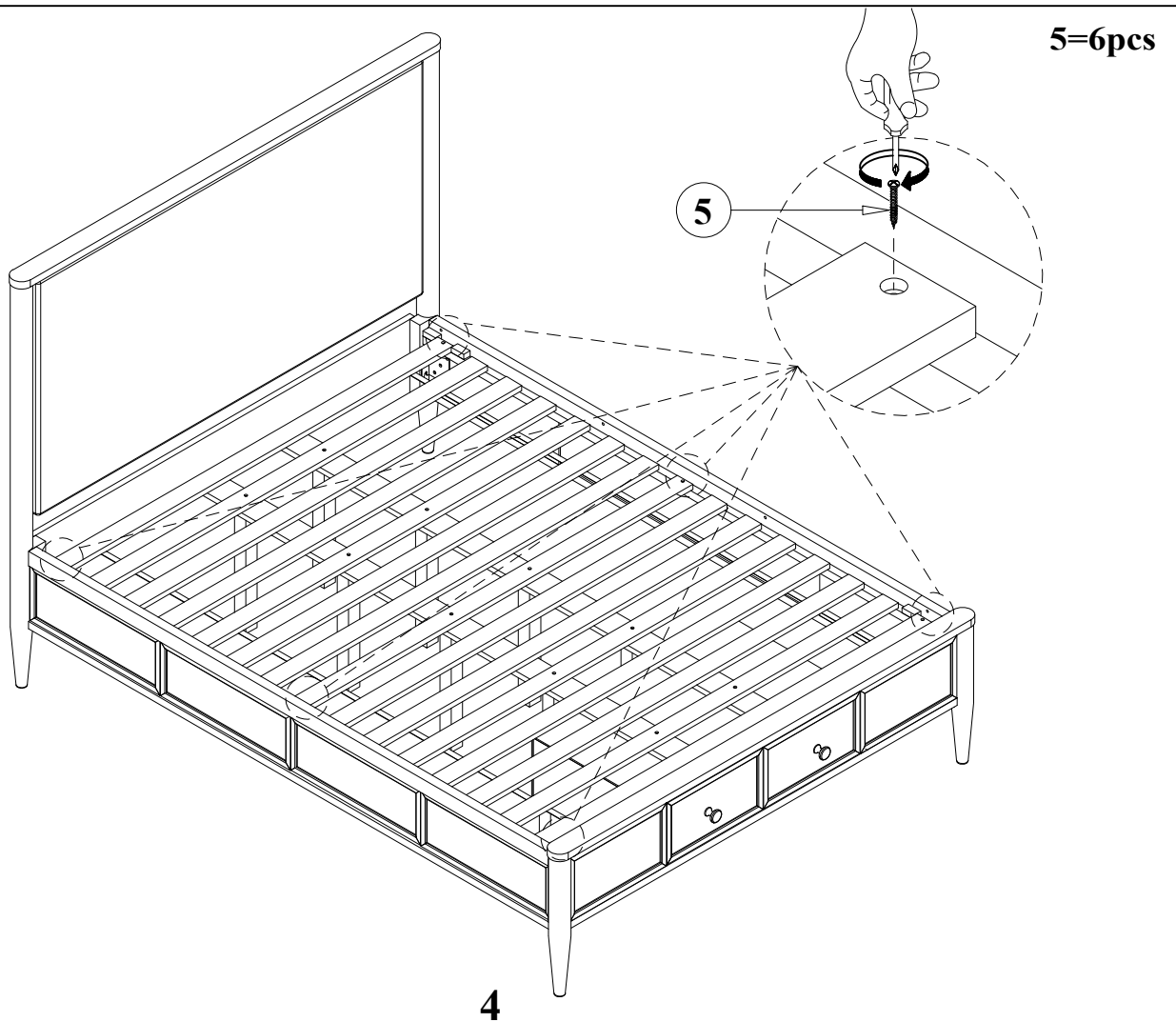
1=8pcs
2=8pcs
3=8pcs



STEP 3

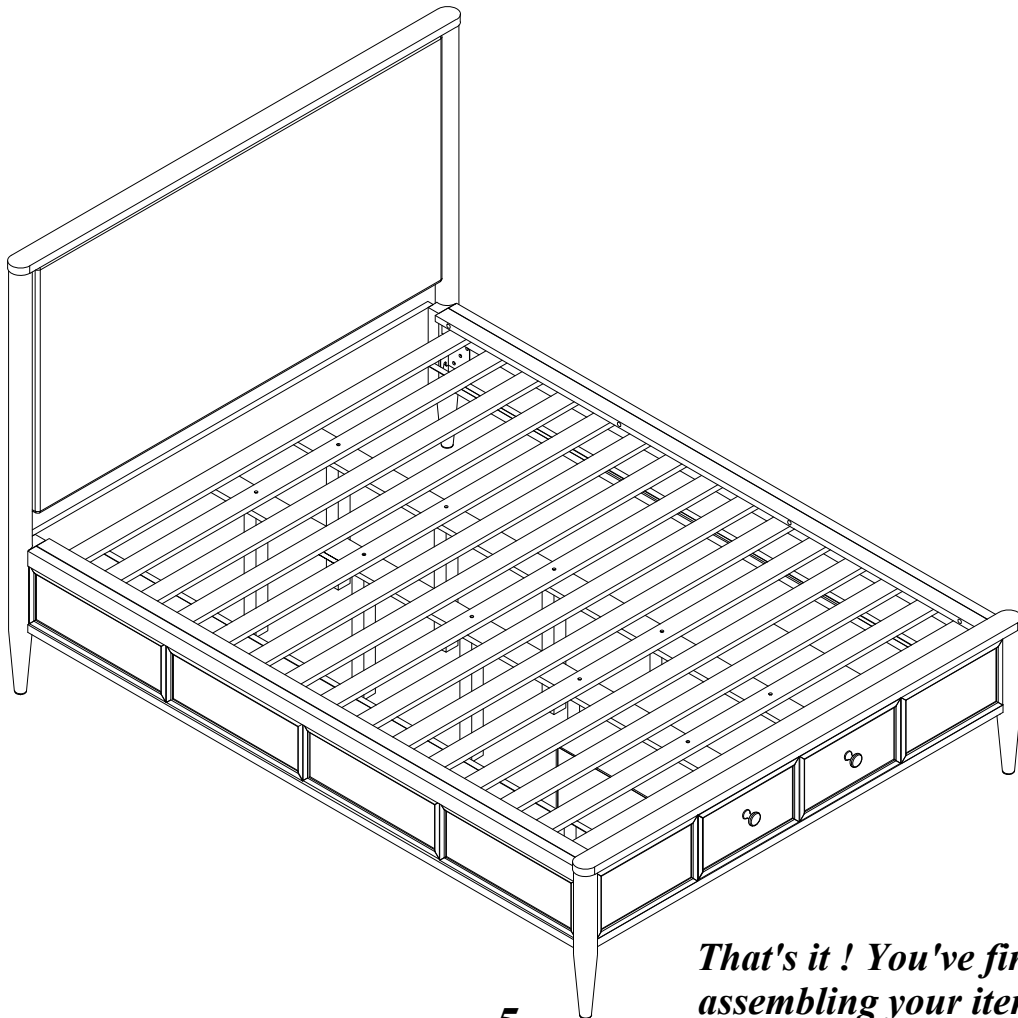
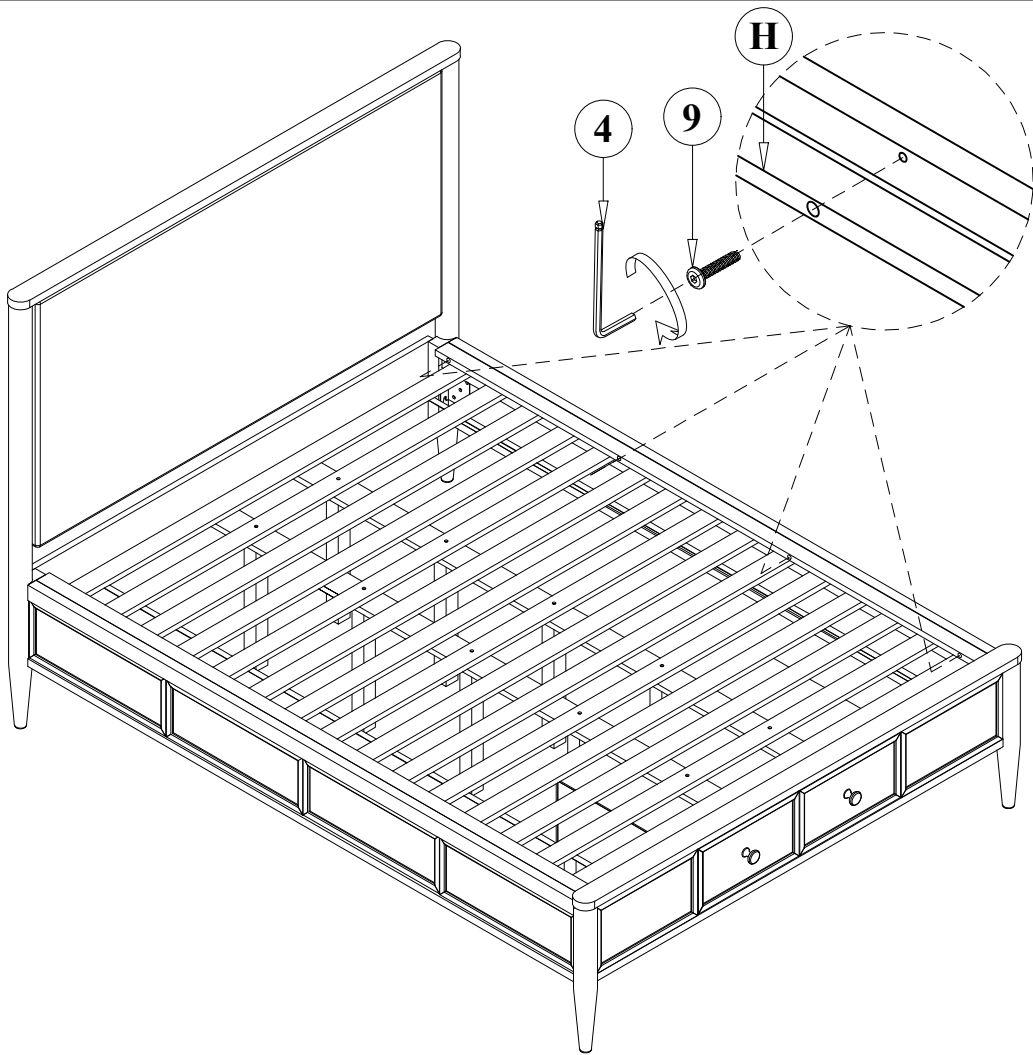


STEP 4



STEP 5

6=8pcs



*That's it ! You've finished
assembling your item. Thank you!*