



LIVING SPACES

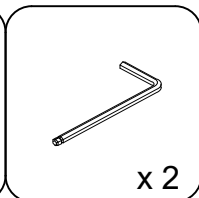
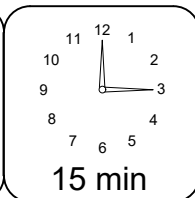
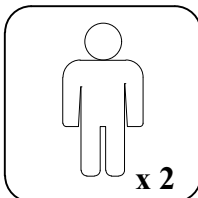
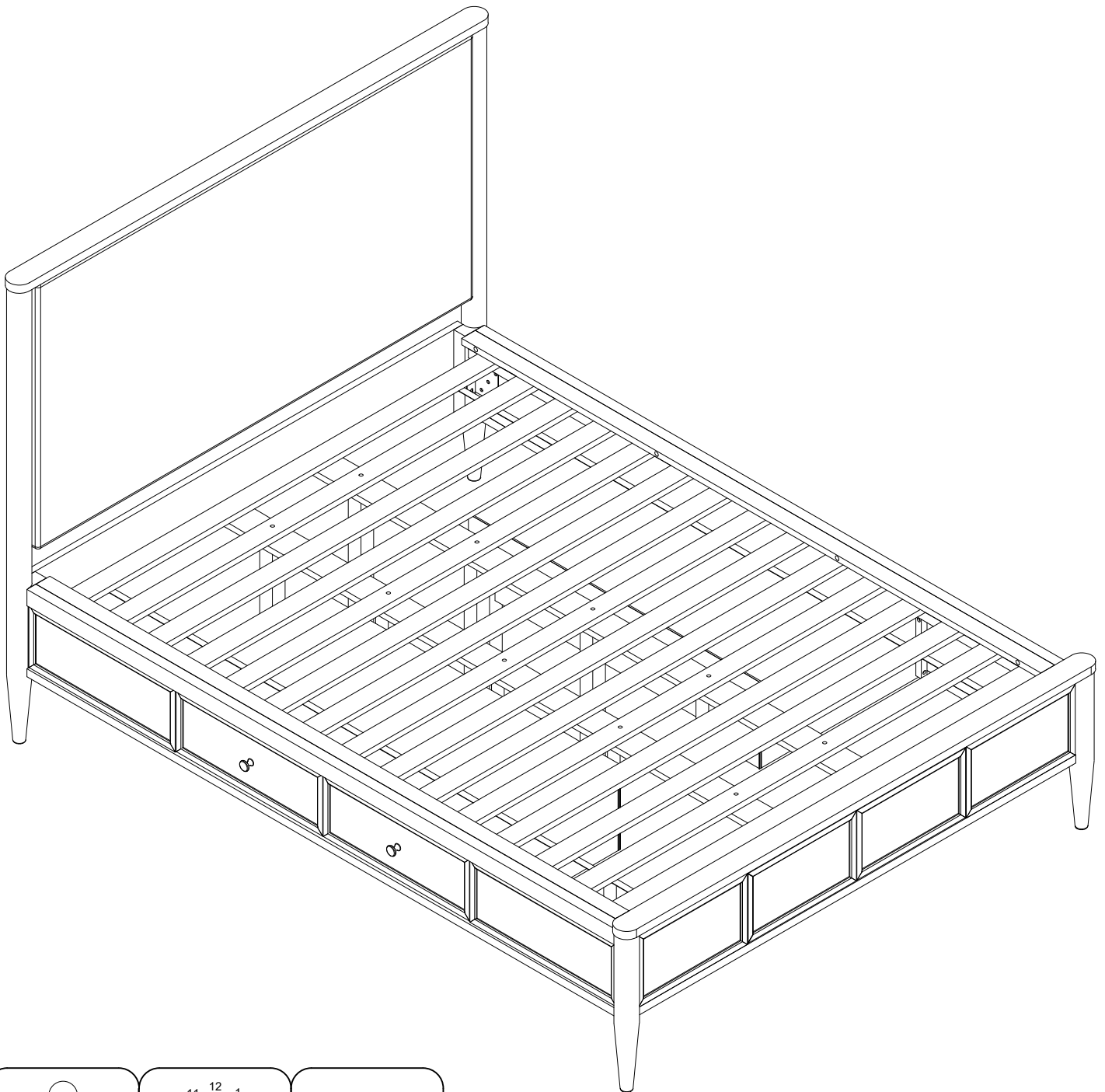
ASSEMBLY INSTRUCTIONS

**AUSTEN CALIFORNIA KING UPH BED W/
SIDE STORAGE**

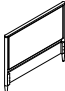
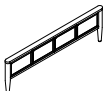
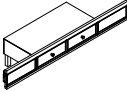
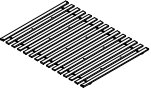
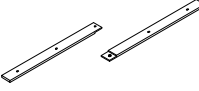
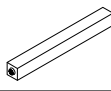
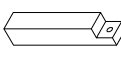

SKU:318034/318024/318059

**AUSTEN CALIFORNIA KING PANEL BED W/
SIDE STORAGE**

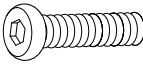



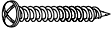
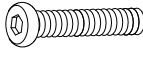
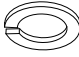
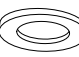
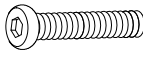
SKU:337945/318024/318059



1

PART	SKU#	IMAGE	DESCRIPTION	QTY
(A)	318034/337945		Head Board	1
(B)	318024		Foot Board	1
(C)	318059		Storage Side Rail	2
(D)	318024		Slat	1 set
(E)	318024		Middle Support Bar	4
(F)	318024		Support With Leveler	10
(G)	318059		Side Rail back leg	4
(H)	318059		Cap Rail	2

Hardware List

PART	SKU#	IMAGE	DESCRIPTION	QTY
(1)	318059		Bolts 5/16" *25mm	8
(2)	318059		Spring Washer 5/16" Dia	8
(3)	318059		Flat Washer 5/16" * Dia	8
(4)	318059		Allen key	2
(5)	318024		Screw #8* 30mm	6
(6)	318059		Bolts 1/4" *38mm	4
(7)	318059		Spring Washer 1/4"*11mm	4
(8)	318059		Flat Washer 1/4" *19mm	4
(9)	318059		Bolts 1/4" *45mm	8

THE HARDWARE IS LOCATED IN THE PACKING ITEM

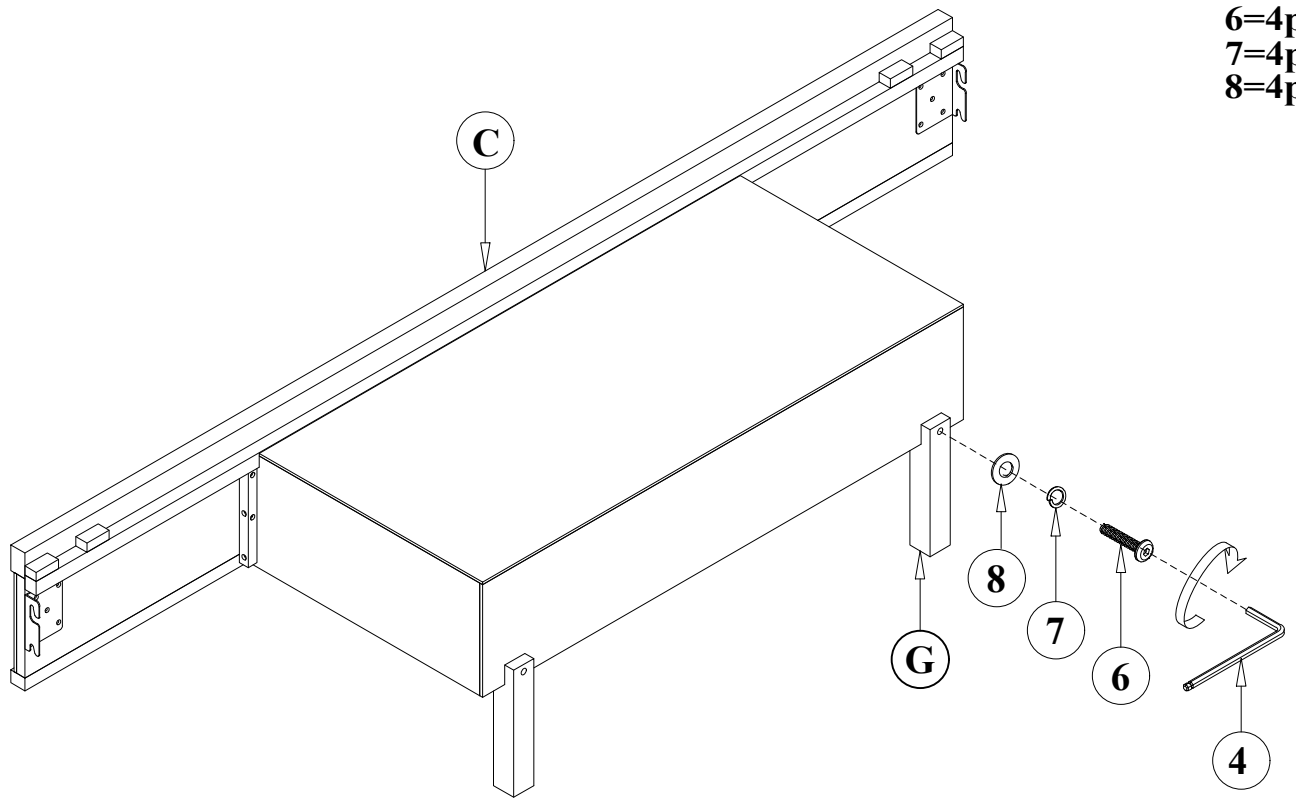
MUST: TIGHTEN SCREWS PERIODICALLY. WITH USE SCREW MAY ENCOME LOOSE CHECK TIGHTNESS OF ALL SCREWS EVERY 6-8 WEEKS.

CLEANING INSTRUCTIONS:

After assembly, clean and polish the completed parts if necessary with soft cloth and industrial recognized furniture polish.

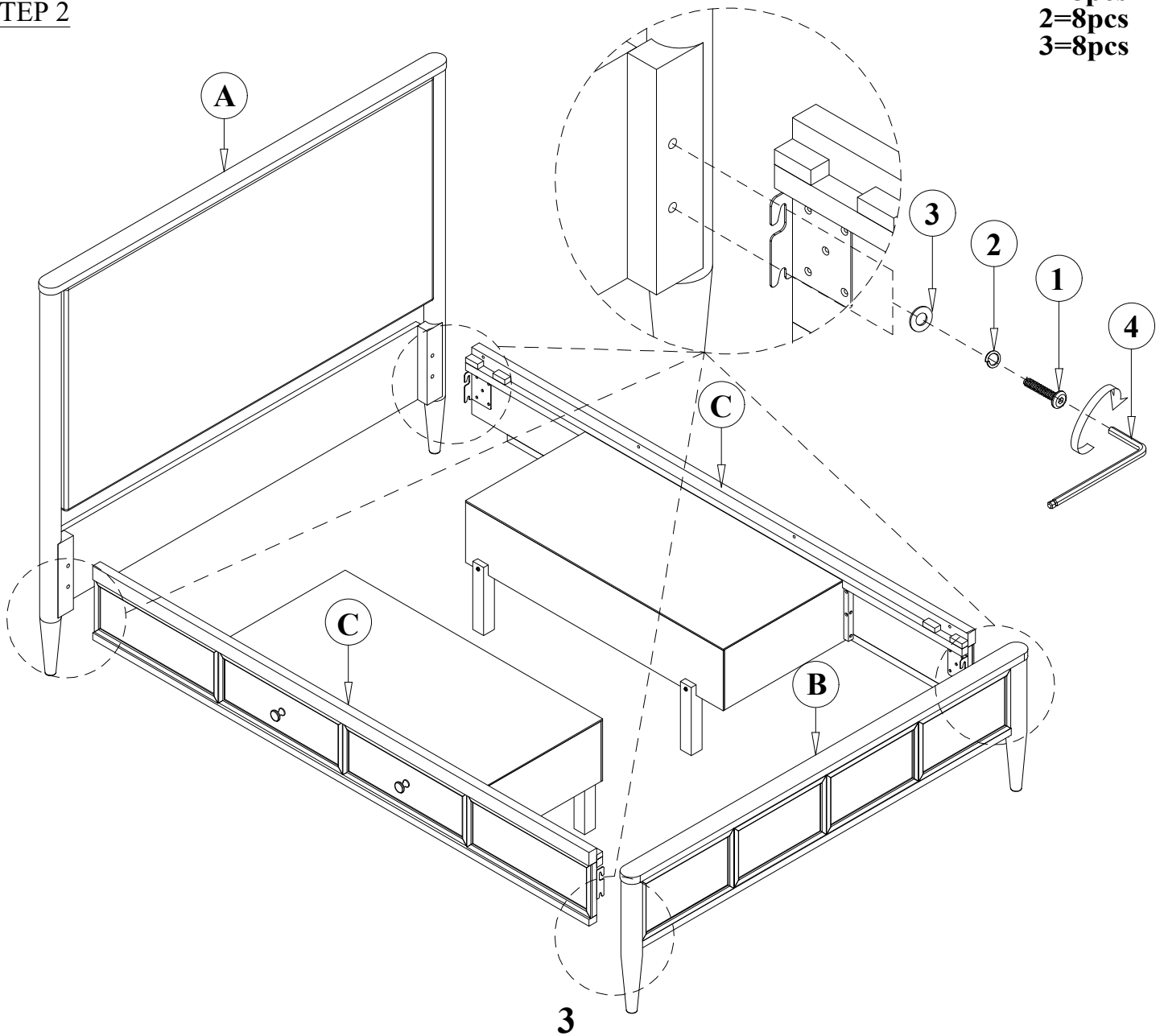
STEP 1

6=4pcs
7=4pcs
8=4pcs

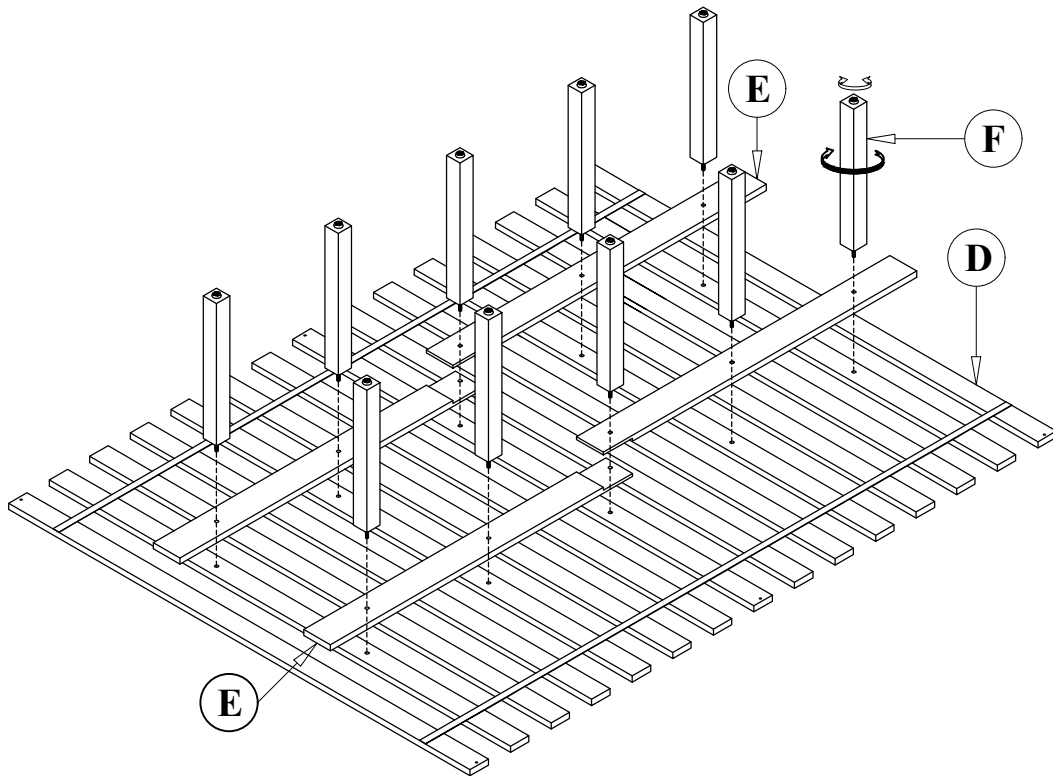


STEP 2

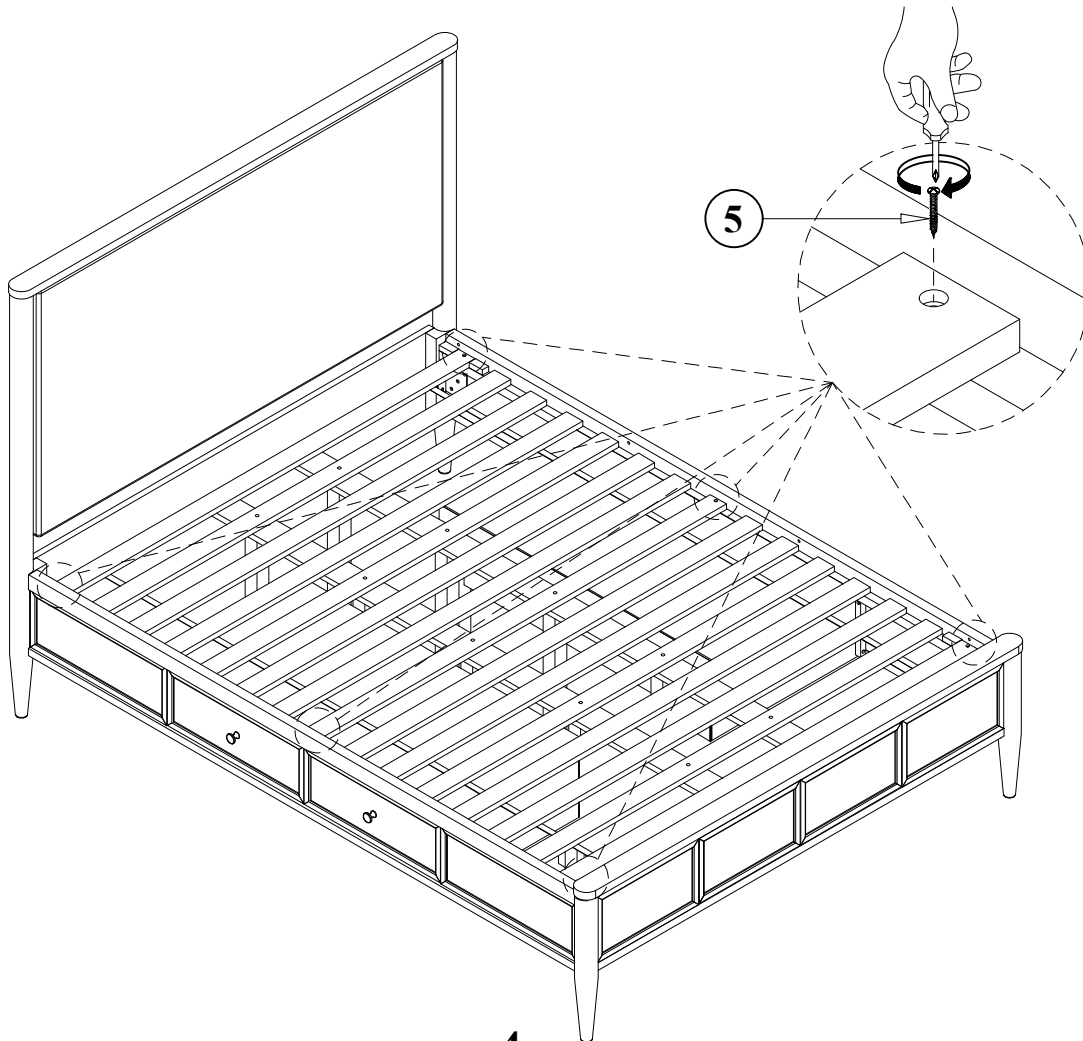
1=8pcs
2=8pcs
3=8pcs



STEP 3

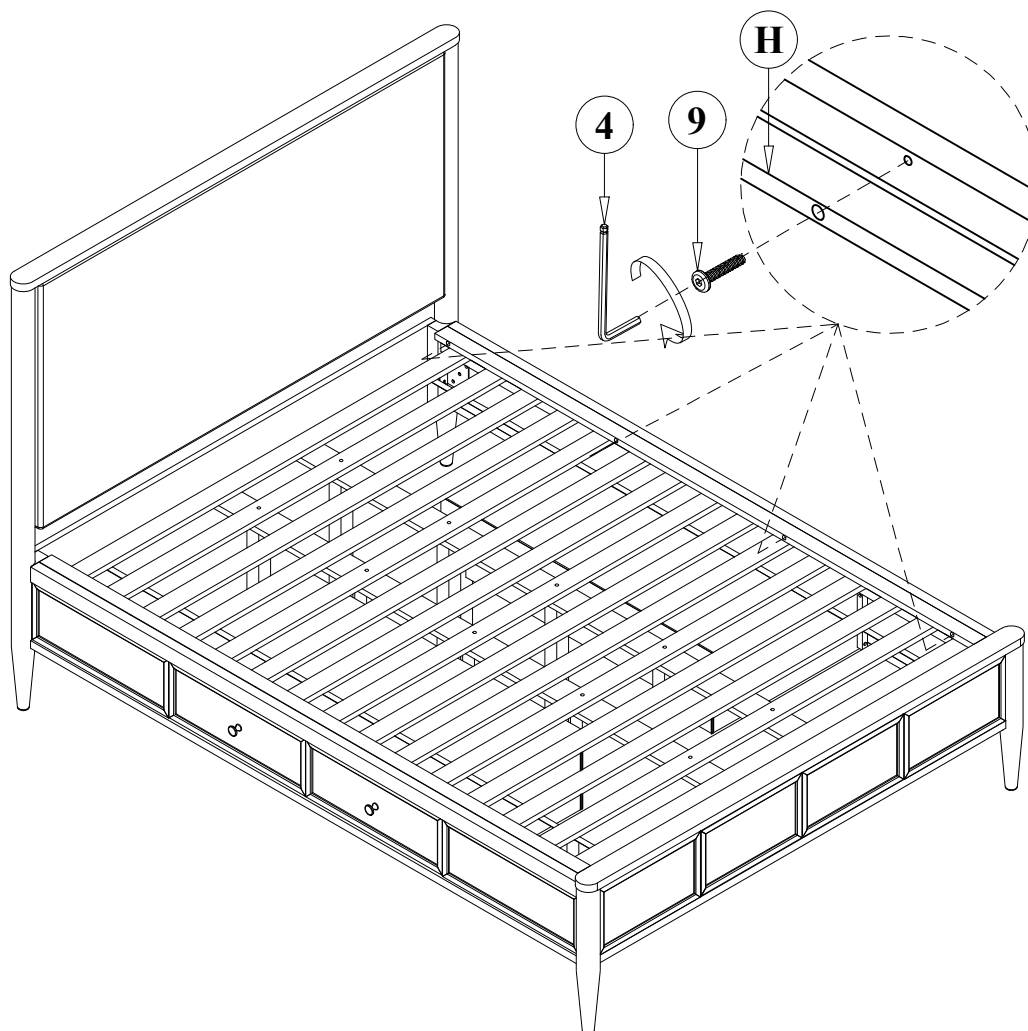


STEP 4



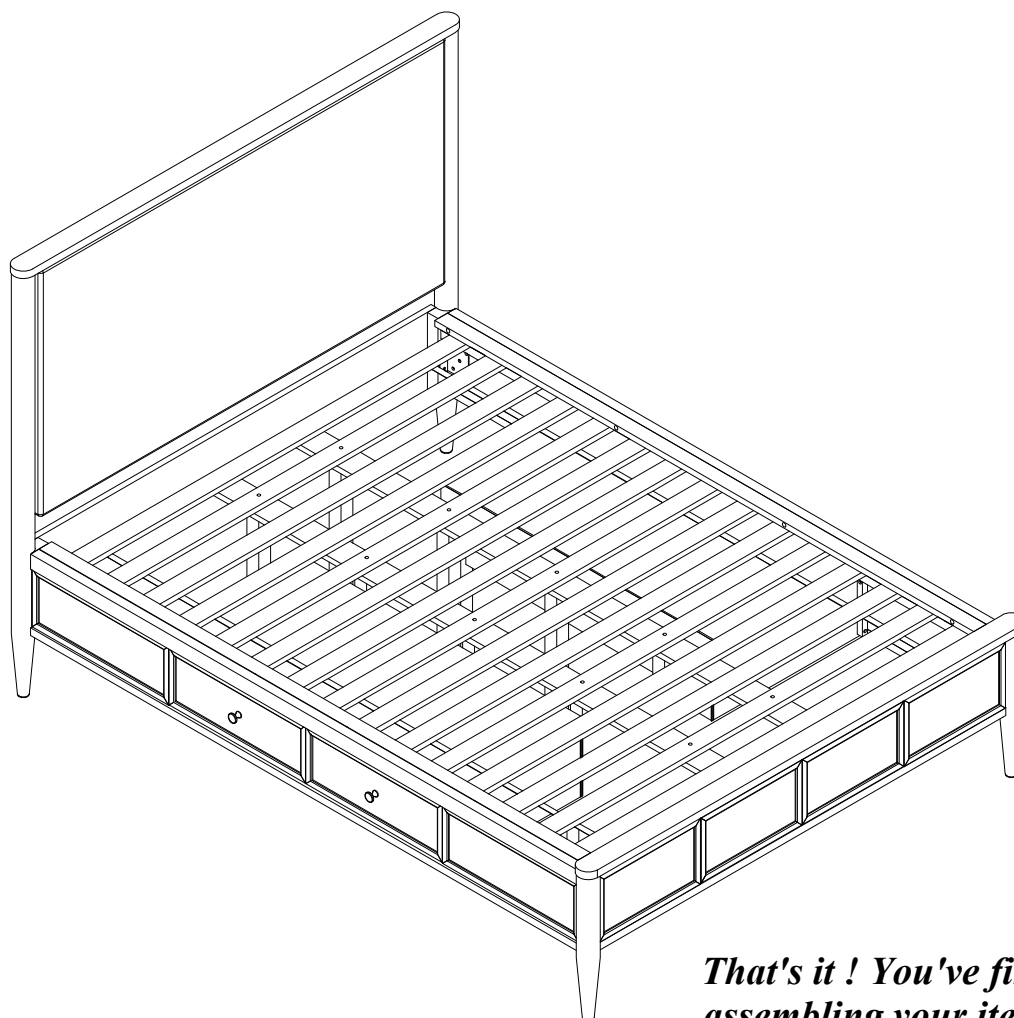
5=6pcs

STEP 6



9=8pcs

STEP 7



That's it ! You've finished assembling your item. Thank you!