



LIVING SPACES

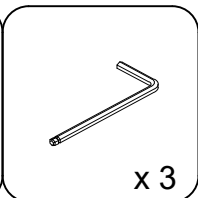
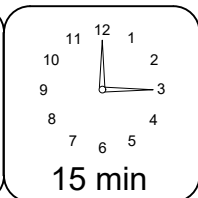
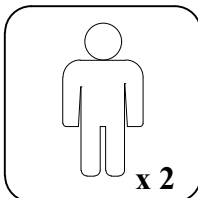
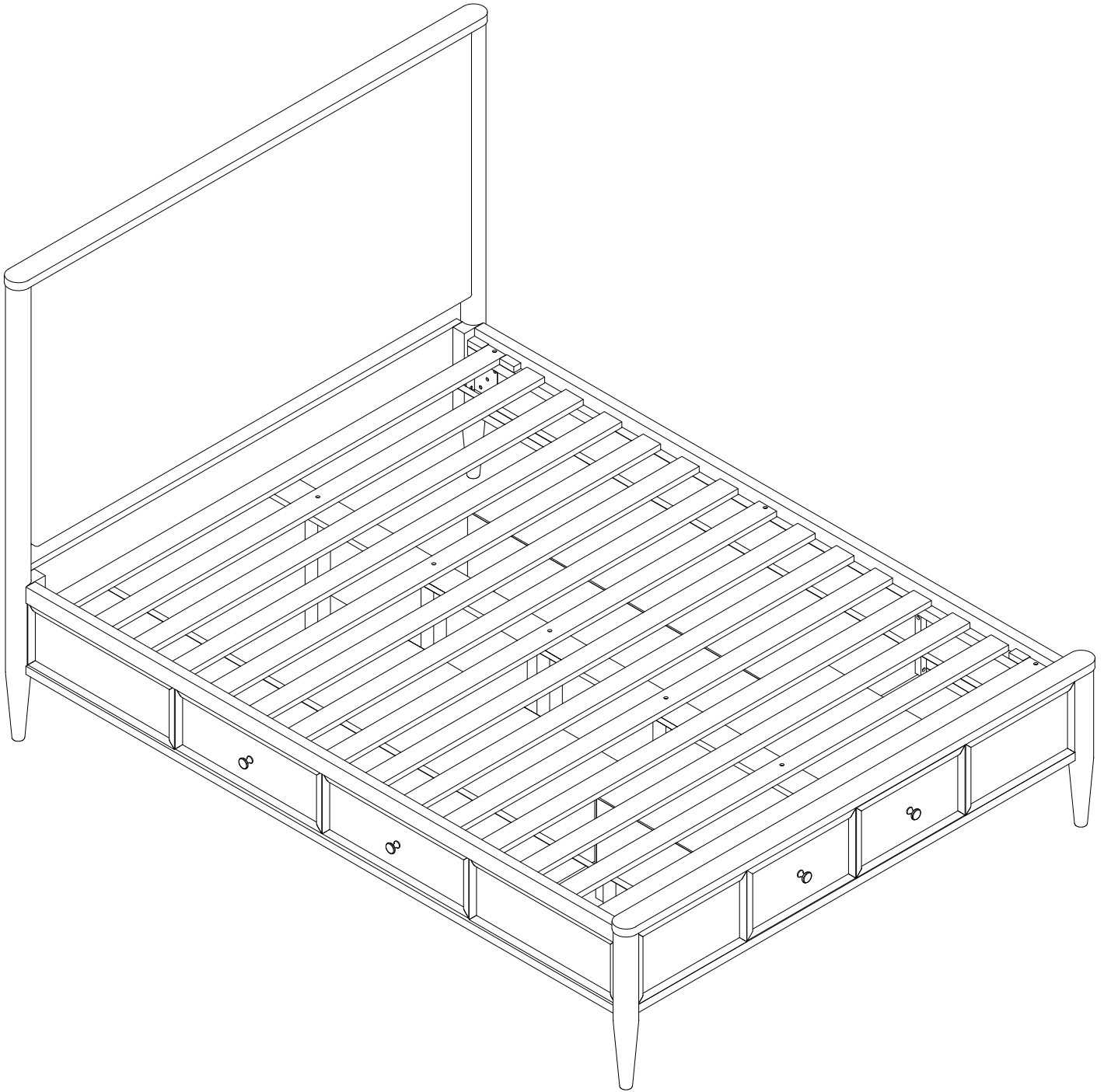
ASSEMBLY INSTRUCTIONS

AUSTEN QUEEN UPH BED W/ SIDE & FOOTBOARD STORAGE

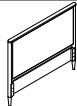
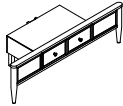
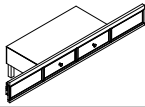
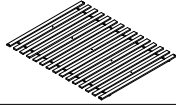
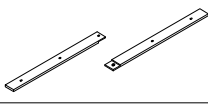
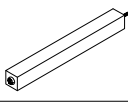
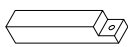
SKU:318023/318018/318056

AUSTEN QUEEN PANEL BED W/ SIDE & FOOTBOARD STORAGE

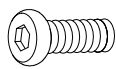
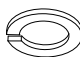

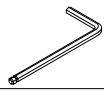

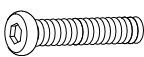
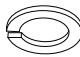
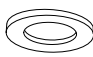
SKU:337936/318018/318056



1

PART	SKU#	IMAGE	DESCRIPTION	QTY
(A)	318023/337936		Head Board	1
(B)	318018		Storage Foot Board	1
(C)	318056		Storage Side Rail	2
(D)	318018		Slat	1 set
(E)	318018		Middle Support Bar	2
(F)	318018		Support With Leveler	5
(G)	318018/318056		Foot Board, Side Rail back leg	6

Hardware List

PART	SKU#	IMAGE	DESCRIPTION	QTY
(1)	318056		Bolts 5/16" *25mm	8
(2)	318056		Spring Washer 5/16" Dia	8
(3)	318056		Flat Washer 5/16" * Dia	8
(4)	318018/318056		Allen key	3
(5)	318018		Screw #8* 30mm	6
(6)	318018/318056		Bolts 1/4" *38mm	6
(7)	318018/318056		Spring Washer 1/4"*11mm	6
(8)	318018/318056		Flat Washer 1/4" *19mm	6

THE HARDWARE IS LOCATED IN THE PACKING ITEM

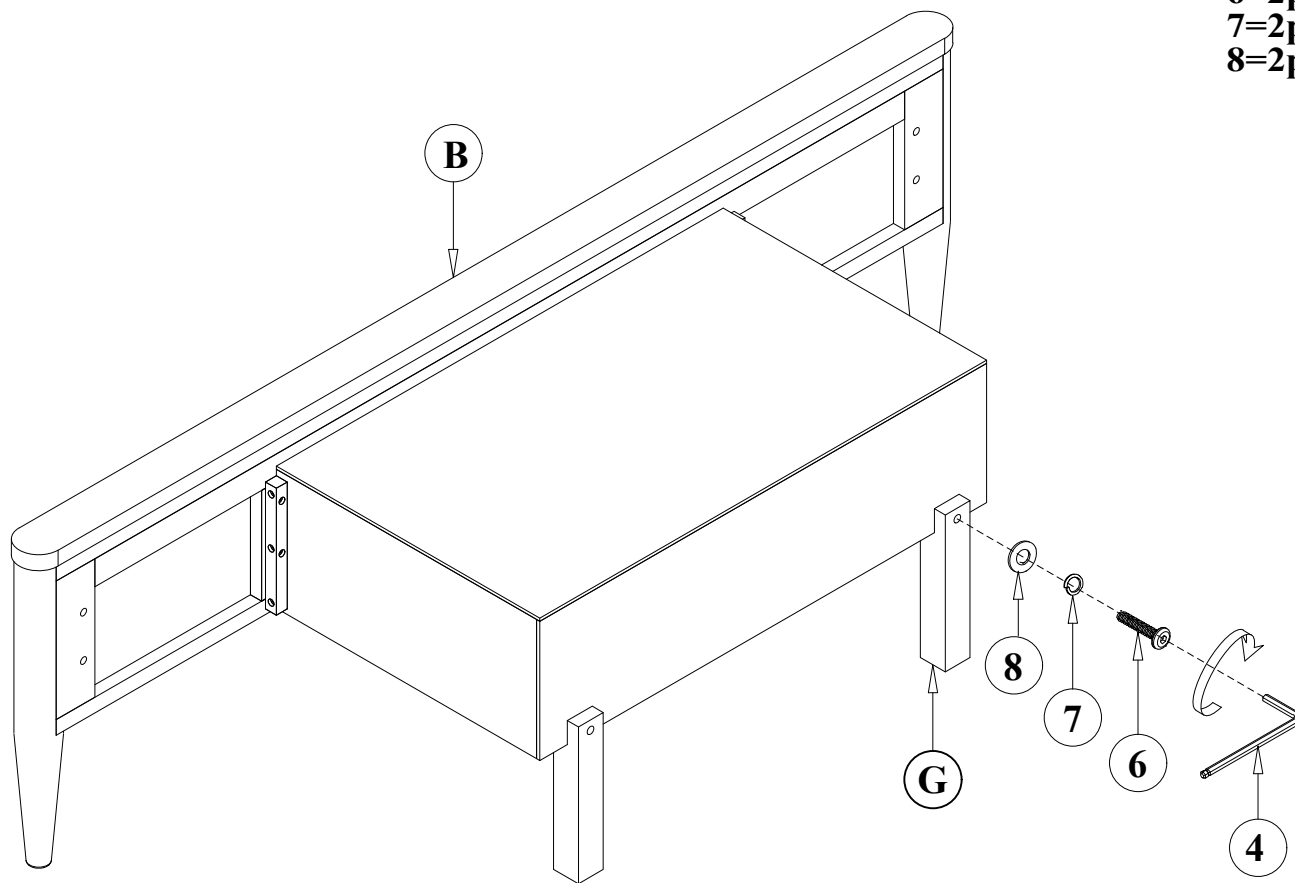
MUST: TIGHTEN SCREWS PERIODIACLLY. WITH USE SCREW MAY ENCOME LOOSE CHECK TIGHTNESS OF ALL SCREWS EVERY 6-8 WEEKS.

CLEANING INSTRUCTIONS:

After assembly, clean and polish the completed parts if necessary with soft cloth and industrial recognized furniture polish.

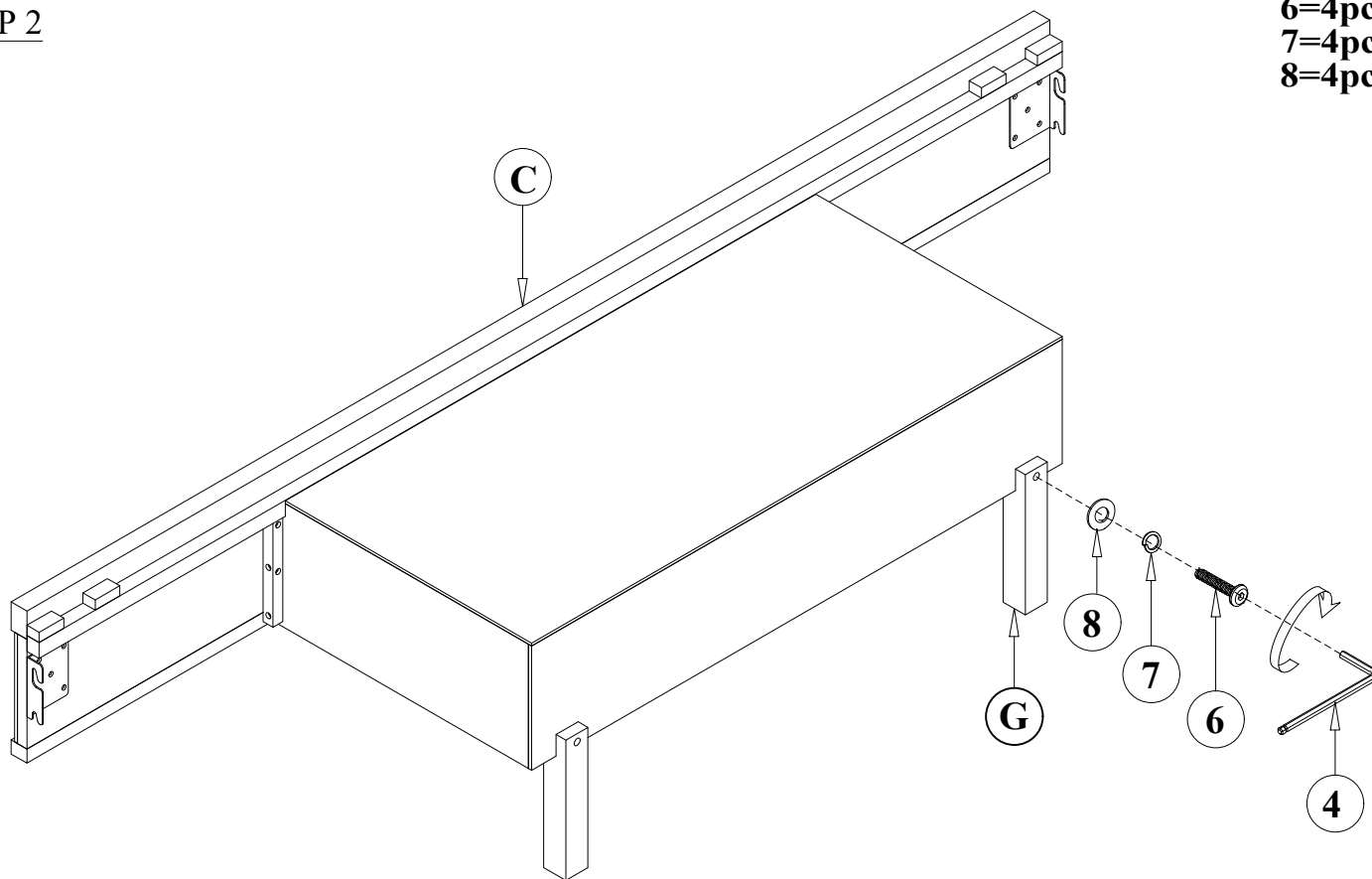
STEP 1

6=2pcs
7=2pcs
8=2pcs



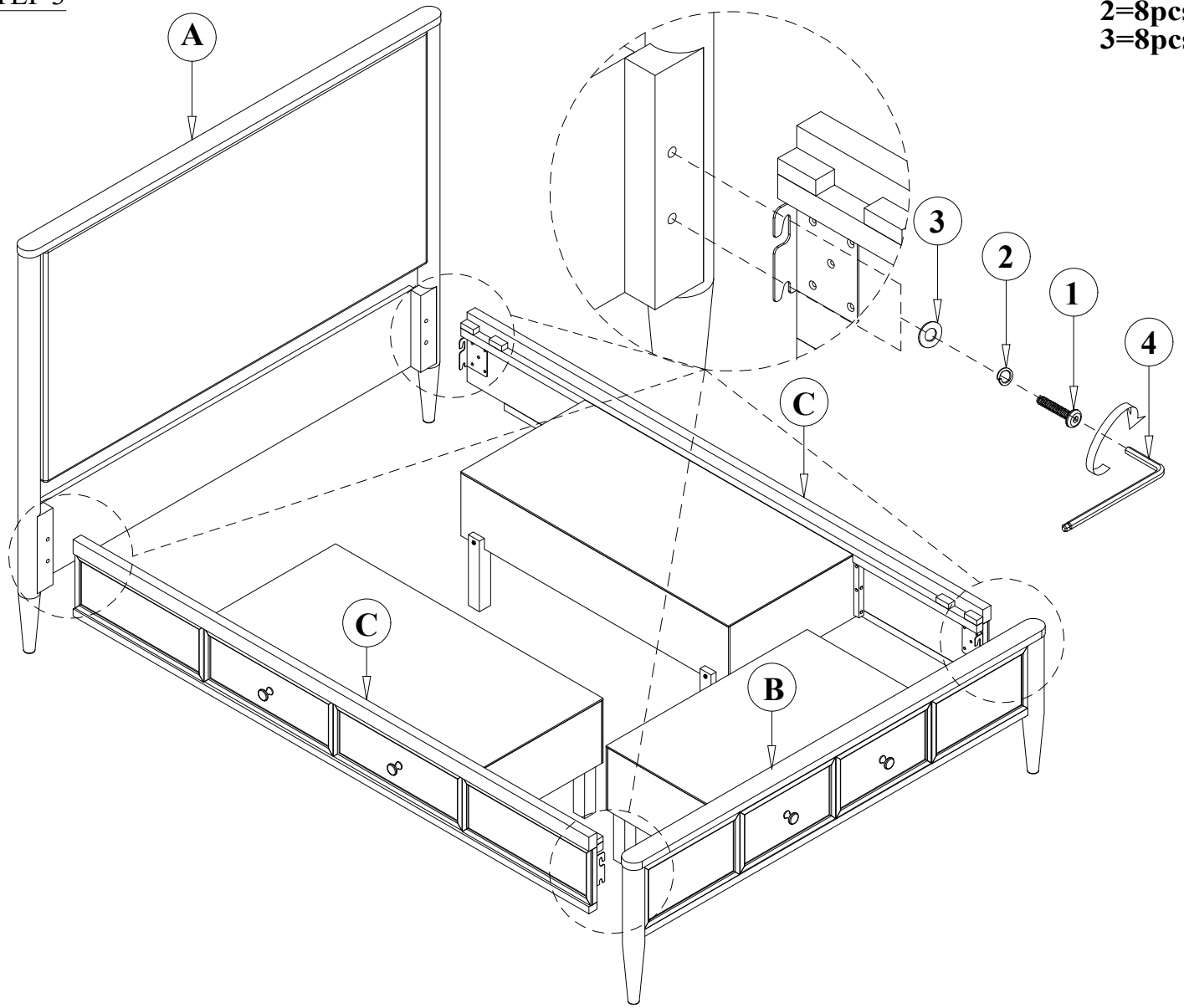
STEP 2

6=4pcs
7=4pcs
8=4pcs

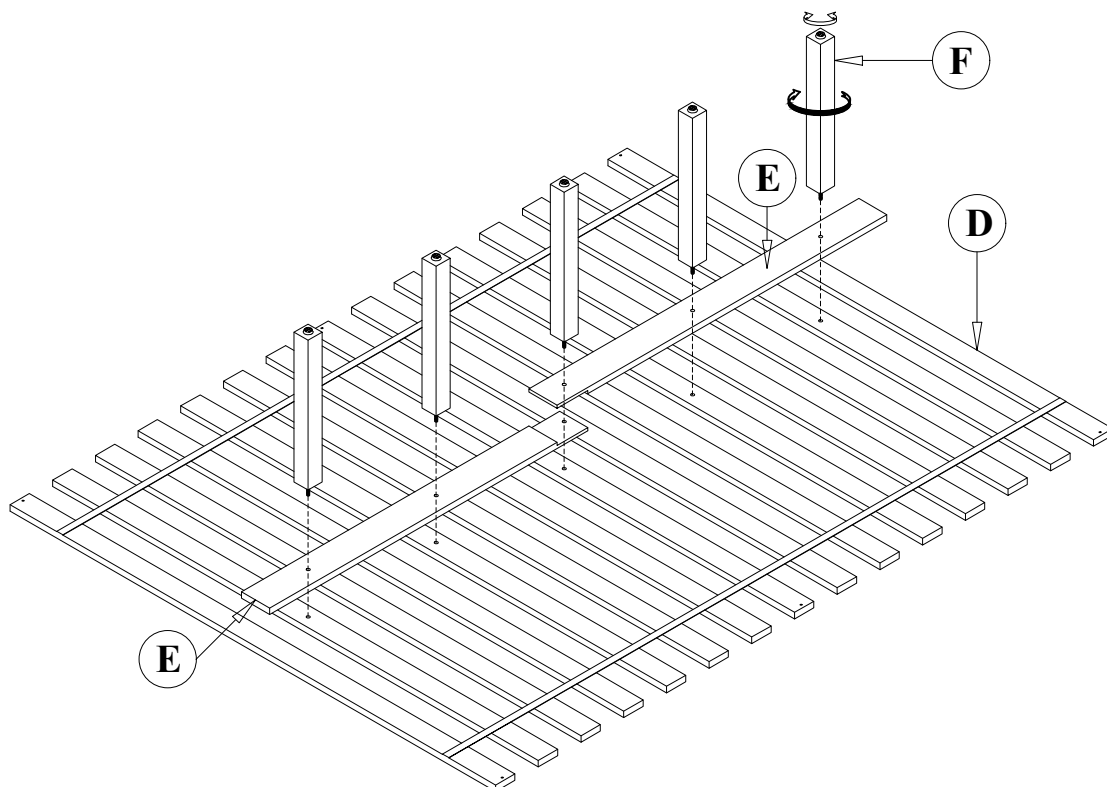


STEP 3

1=8pcs
2=8pcs
3=8pcs

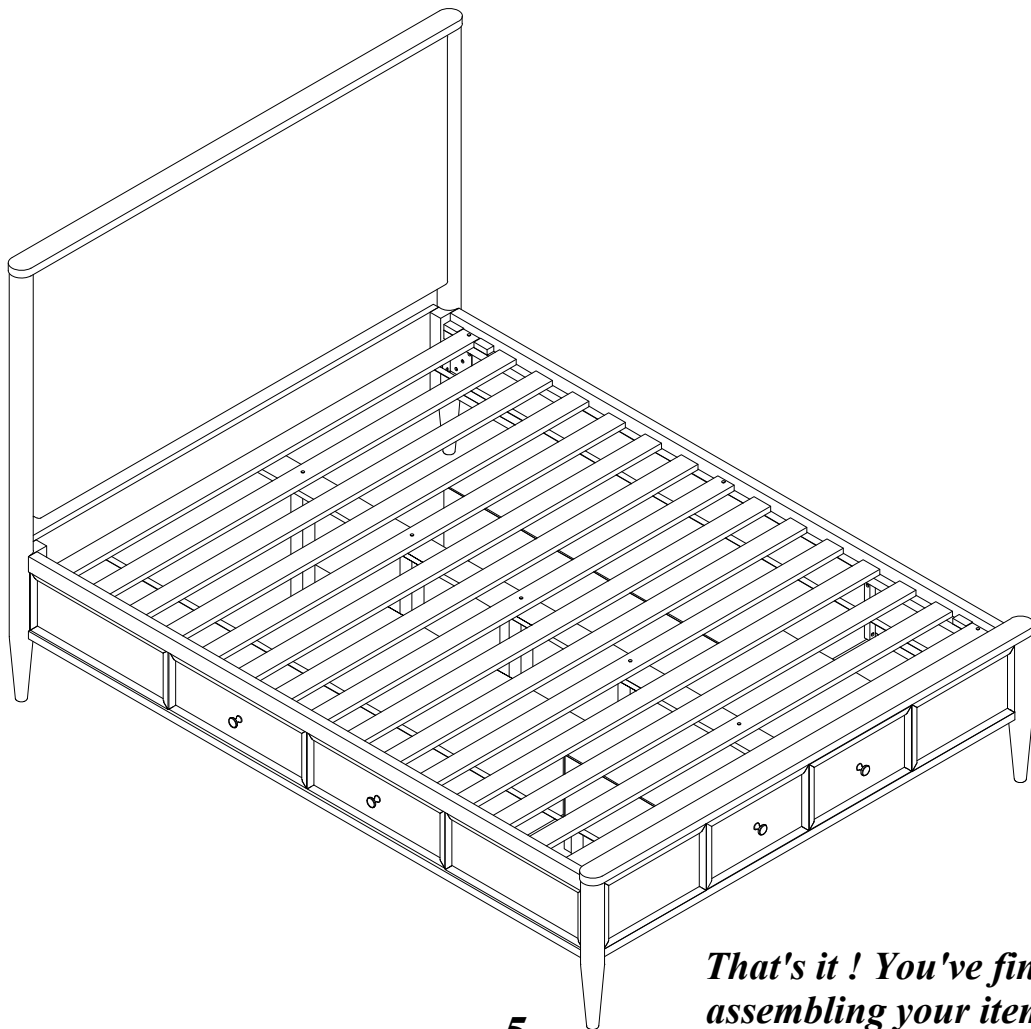
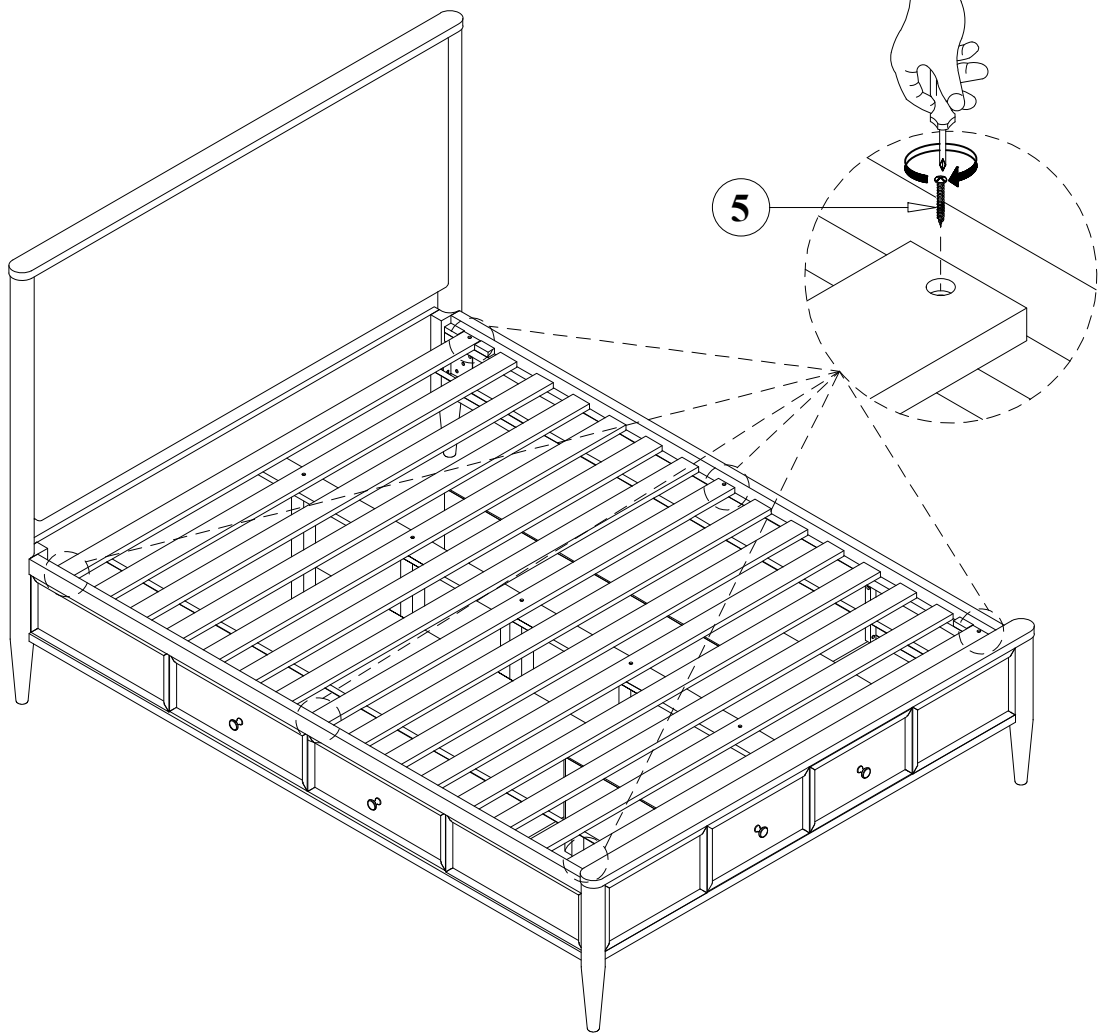


STEP 4



STEP 5

5=6pcs



5

That's it ! You've finished assembling your item. Thank you!